

BALDOR® • ***RELIANCE***

Product Information Packet

VL1317A

2HP,3450RPM,1PH,60HZ,56C,3528L,OPEN,F1

Part Detail							
Revision:	AY	Status:	PRD/A	Change #:		Proprietary:	No
Type:	AC	Prod. Type:	3528L	Elec. Spec:	35WGW183	CD Diagram:	CD0052
Enclosure:	OPEN	Mfg Plant:		Mech. Spec:	35E523	Layout:	35LYE523
Frame:	56C	Mounting:	F1	Poles:	02	Created Date:	06-21-2007
Base:	N	Rotation:	ROS	Insulation:	B	Eff. Date:	09-16-2016
Leads:	4#14 A&J,2#18 B PH,1#10 #1TH					Replaced By:	
Literature:		Elec. Diagram:					

Nameplate NP1257L	
CAT.NO.	VL1317A
SPEC.	35E523W183
HP	2
VOLTS	115/230
AMP	26/13
RPM	3450
FRAME	56C
SER.F.	1.20
NEMA-NOM-EFF	70
RATING	40C AMB-CONT
CC	
DE	6205
ENCL	OPEN
	SFA 27.6/13.8
	CODE G
	PF 69
	HZ 60
	DES L
	CL B
	PH 1
	USABLE AT 208V 13
	ODE 6203
	SN

Parts List		
Part Number	Description	Quantity
SA024315	SA 35E523W183	1.000 EA
RA020365	RA 35E523W183	1.000 EA
EC1645A06SP	ELEC CAP, 645-774 MFD, 125V, 2.06D X 4.	1.000 EA
WD3006A01	RSS-2-103JT 2W 10K RES. METAL OXIDE 5%	1.000 EA
11XT0832G06	8-32 X 3/8 TY 23 TAPPING	1.000 EA
HW3001B01	BRASS CUP WASHER, FOR #8 SCREW	1.000 EA
35EP3202A09	FR ENDPLATE, MACH	1.000 EA
SP1033A01	INSULATOR MODEL 35 TERM PANEL	1.000 EA
51XW0832A07	8-32 X .44, TAPTITE II, HEX WSHR SLTD SE	3.000 EA
NS2501A01	INSULATOR, CAPACITOR	1.000 EA
51XB1016A05	10-16X5/16HX WA SL SR TYB (F/S)	2.000 EA
HW5100A03SP	WAVY WASHER (W1543-017)	1.000 EA
35EP3400A13	STD FACE MTD END PLATE OPEN NEMA 56C 05	1.000 EA
35AD2000	AIR BAFFLE	1.000 EA
60XW0632A06	6-32 X 3/8 TORX HEAD SCREW TAPTITE II	4.000 EA
51XN1032A20	10-32 X 1 1/4 HX WS SL SR	2.000 EA
35FH4500A02	DRIP COVER, STAMPED (W/ PRIMER	1.000 EA
51XW0832A07	8-32 X .44, TAPTITE II, HEX WSHR SLTD SE	2.000 EA
35CB4500SP	TERMINAL BOX LID STAMPED	1.000 EA
51XW0832A07	8-32 X .44, TAPTITE II, HEX WSHR SLTD SE	2.000 EA
HW2501D13	KEY, 3/16 SQ X 1.375	1.000 EA
HA7000A04	KEY RETAINER 0.625 DIA SHAFTS	1.000 EA
85XU0407S04	4X1/4 U DRIVE PIN STAINLESS	2.000 EA
WD1000A15	3-520132-2 AMP FLAG (4M/RL NON-CANC/NON-	2.000 EA

Parts List (continued)		
Part Number	Description	Quantity
MJ1000A02	GREASE, POLYREX EM EXXON (USe 4824-15A)	0.050 LB
MG1000G27	MED CHARCOAL METALLIC GREY 400-0096	0.017 GA
HA3100A15	THRUBOLT 10-32 X 8.375	4.000 EA
35CB4802A02SP	CAPACITOR COVER, STAMPED X	1.000 EA
SP5066A01	MODEL 35 TERMINAL PANEL SWITCH WITH LEAD	1.000 EA
LB1118	LABEL,WARNING (ROLL LABEL)	1.000 EA
LC0052	CONNECTION LABEL	1.000 EA
NP1257L	ALUM UL CSA CC THERMAL REV MTG	1.000 EA
35PA1066	PKG GRP, PRINT PK1008A06	1.000 EA
PK3083T	STYROFOAM PACKING CRADLE W/TAPE	1.000 EA
WD1000D90	T&B RC2577FM,90 DEG INSUL. FLAG TERMINAL	1.000 EA

AC Induction Motor Performance Data
Record # 9776 - Typical performance - not guaranteed values

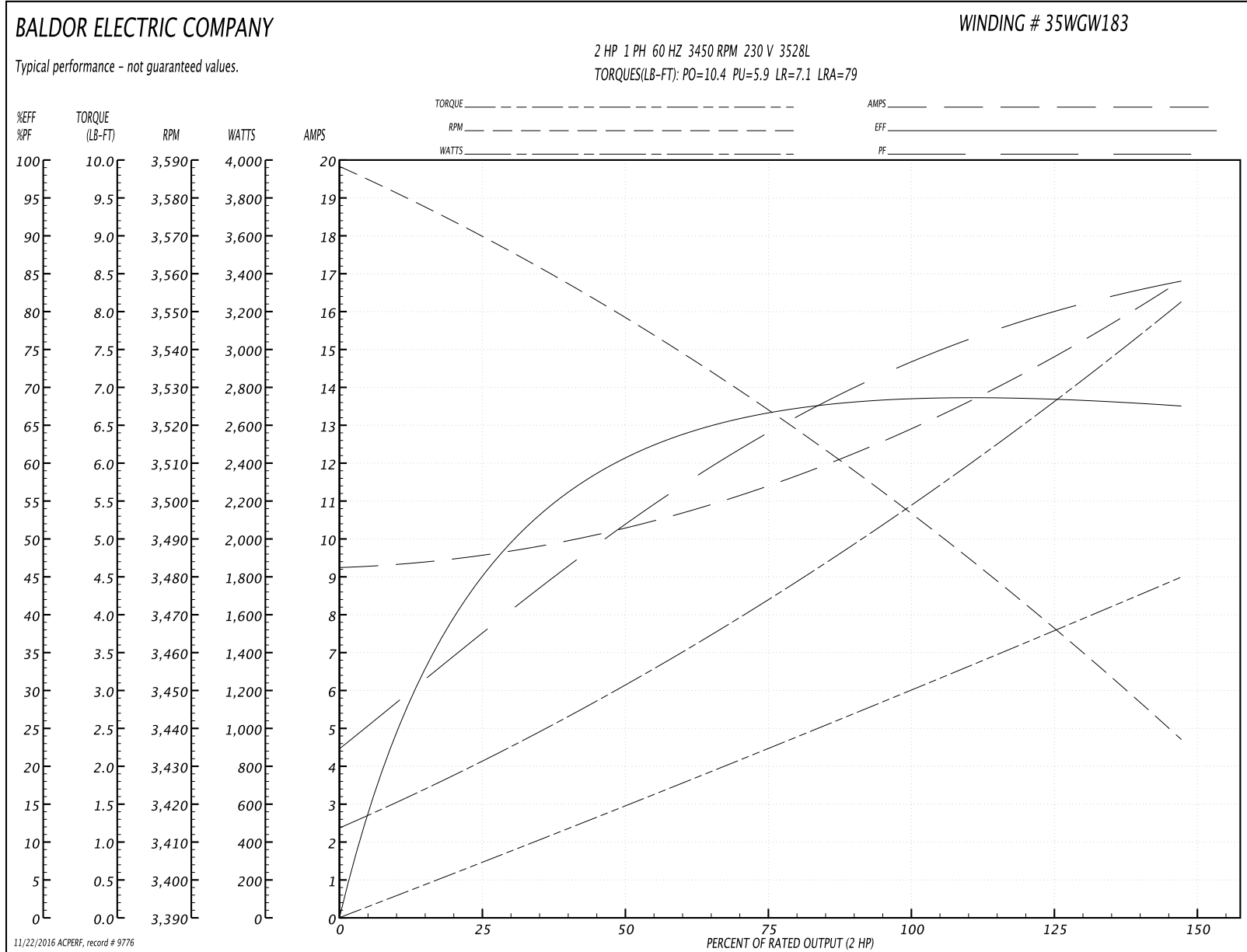
Winding: 35WGW183-R001	Type: 3528L	Enclosure: OPEN
-------------------------------	--------------------	------------------------

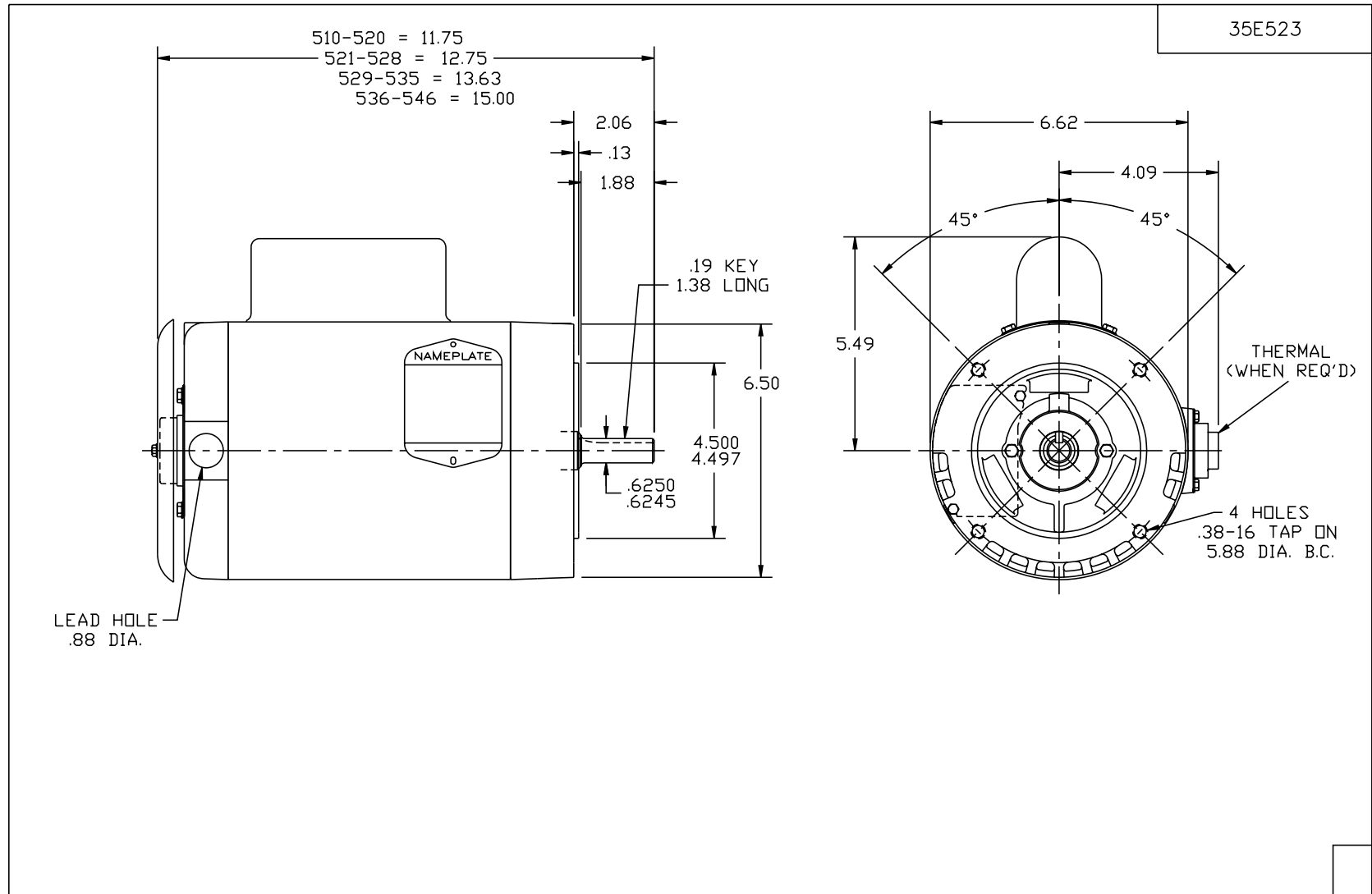
Nameplate Data				230 V, 60 Hz: High Voltage Connection	
Rated Output (HP)	2			Full Load Torque	3 LB-FT
Volts	115/230			Start Configuration	direct on line
Full Load Amps	26/13			Breakdown Torque	10.4 LB-FT
R.P.M.	3450			Pull-up Torque	5.9 LB-FT
Hz	60	Phase	1	Locked-rotor Torque	7.1 LB-FT
NEMA Design Code	L	KVA Code	G	Starting Current	79 A
Service Factor (S.F.)	1.2			No-load Current	9.3 A
NEMA Nom. Eff.	70	Power Factor	69	Line-line Res. @ 25°C	0.842 Ω A Ph 0.843 Ω B Ph
Rating - Duty	40C AMB-CONT			Temp. Rise @ Rated Load	77°C
S.F. Amps	27.6/13.8			Temp. Rise @ S.F. Load	87°C

Load Characteristics 230 V, 60 Hz, 2 HP

% of Rated Load	25	50	75	100	125	150	S.F.
Power Factor	38	53	65	71	80	84	78
Efficiency	46	60	66	70	68	67.5	68.4
Speed	3569	3547	3523	3498	3469	3436	3475
Line amperes	9.5	10.3	11.4	13	14.7	16.8	13.8

Performance Graph at 230V, 60Hz, 2.0HP Typical performance - Not guaranteed values





35E523

CUST. NAME		CUST. P.O.		CERTIFIED BY		MODEL		INSUL		AMB	
H.P.		MTG		TYPE		R.P.M.		VOLTS		ENCL	
PHASE		FREQ		FRAME		BALDOR ELECTRIC Co.					
REMARKS:											
REV:	D	REDRAWN TO AUTOCAD									
35E523		SCALE: .3	BY: SSS	REVISED: 09/06/94	STD VERT FACE MTD 35L OPEN 56C W/TERM PLATE & DRIP COVER						
		FILE: AAA00014056	TDR: 0051036								

35E523

CD0052

