

BALDOR® • ***RELIANCE***

Product Information Packet

VSWDM3542

.75HP,1750RPM,3PH,60HZ,56C,3514M,TENV,F1

| Part Detail | | | | | | | |
|-------------|------|----------------|-------|-------------|----------|---------------|------------|
| Revision: | L | Status: | PRD/A | Change #: | | Proprietary: | No |
| Type: | AC | Prod. Type: | 3514M | Elec. Spec: | 35WGP672 | CD Diagram: | CD0005 |
| Enclosure: | TENV | Mfg Plant: | | Mech. Spec: | 35S617 | Layout: | 35LYS617 |
| Frame: | 56C | Mounting: | F1 | Poles: | 04 | Created Date: | 02-20-2008 |
| Base: | N | Rotation: | R | Insulation: | F | Eff. Date: | 04-02-2015 |
| Leads: | 9#18 | | | | | Replaced By: | |
| Literature: | | Elec. Diagram: | | | | | |

| Nameplate NP1496L | | | | | | | | | | |
|-------------------|--------------|--|------|----|-----|------|--|----------------|----|---|
| CAT.NO. | VSWDM3542 | | | | | | | | | |
| SPEC. | 35S617P672G1 | | | | | | | | | |
| HP | .75 | | | | | | | | | |
| VOLTS | 230/460 | | | | | | | | | |
| AMP | 2.8/1.4 | | | | | | | | | |
| RPM | 1750 | | | | | | | | | |
| FRAME | 56C | | | | HZ | 60 | | | PH | 3 |
| SER.F. | 1.25 | | CODE | M | DES | B | | CLASS | F | |
| NEMA-NOM-EFF | 78.5 | | PF | 66 | | | | | | |
| RATING | 40C AMB-CONT | | | | | | | | | |
| CC | | | | | | | | USABLE AT 208V | 3 | |
| DE | 6205 | | | | ODE | 6203 | | | | |
| ENCL | TENV | | SN | | | | | | | |
| | SFA 3/1.5 | | | | | | | | | |

| Parts List | | |
|---------------|--|----------|
| Part Number | Description | Quantity |
| SA168975 | SA 35S617P672G1 | 1.000 EA |
| RA157264 | RA 35S617P672G1 | 1.000 EA |
| NS2512A01 | INSULATOR, CONDUIT BOX X | 1.000 EA |
| 35CB5001A03 | CONDUIT BOX KIT, FOR SUPER II WASHDOWN | 1.000 EA |
| 11XW1032G06 | 10-32 X .38, TAPTITE II, HEX WSHR SLTD U | 1.000 EA |
| 35EP3100M72MU | SPL FR EP-ENCL-203 BRG-DIE CAST ALUM(BAL | 1.000 EA |
| HW4500A33 | 1/8 NPT STAINLESS,HOLO-KROME #13002,PRES | 3.000 EA |
| HW5100A03SP | WAVY WASHER (W1543-017) | 1.000 EA |
| 35EP3300A75MU | PU E.P., CAST-FACE MTD-56C-205 BRG(BALL | 1.000 EA |
| HW4500A33 | 1/8 NPT STAINLESS,HOLO-KROME #13002,PRES | 3.000 EA |
| HW4606A02 | JM CLIPPER/SEAL (LWE-0938-1624-AL23) | 1.000 EA |
| 12XN1032S20 | 10-32 X 1-1/4 HEX M.S. , STAINLESS STEEL | 2.000 EA |
| HA1049A01 | DUBO LOK WASHER SIZE 10 (NYLON LOCK SEAL | 4.000 EA |
| HA1049A01 | DUBO LOK WASHER SIZE 10 (NYLON LOCK SEAL | 2.000 EA |
| HW2502D13 | SS KEY, 3/16 SQ X 1.375 | 1.000 EA |
| HA7000A04 | KEY RETAINER 0.625 DIA SHAFTS | 1.000 EA |
| MJ5001A02 | 732 CL SEALANT 3 OZ DIXIE BEARING 289100 | 0.001 EA |
| 85XU0407S04 | 4X1/4 U DRIVE PIN STAINLESS | 2.000 EA |
| LB1164 | LABEL,WARNING AND DRAIN | 1.000 EA |
| HA5027A04 | HA4054 T-DRAIN X2 BAGGED | 1.000 EA |
| MJ1000A02 | GREASE, POLYREX EM EXXON (USe 4824-15A) | 0.050 LB |
| HA3100S12 | THRUBOLT 7.625 LENGTH 1.250 TH LENGTH SS | 4.000 EA |
| LC0005 | CONN.DIA.,TY M,9-LD,DUAL VOLT,REVERSING | 1.000 EA |
| NP1496L | SS WD UL CSA CC | 1.000 EA |

| Parts List (continued) | | |
|-------------------------------|--|-----------------|
| Part Number | Description | Quantity |
| 35PA1066 | PKG GRP, PRINT PK1008A06 | 1.000 EA |
| PK3082 | STYROFOAM CRADLE | 1.000 EA |
| MN416A01 | TAG-INSTAL-MAINT no wire (1200/bx) 11/14 | 1.000 EA |

AC Induction Motor Performance Data

Record # 31358 - Typical performance - not guaranteed values

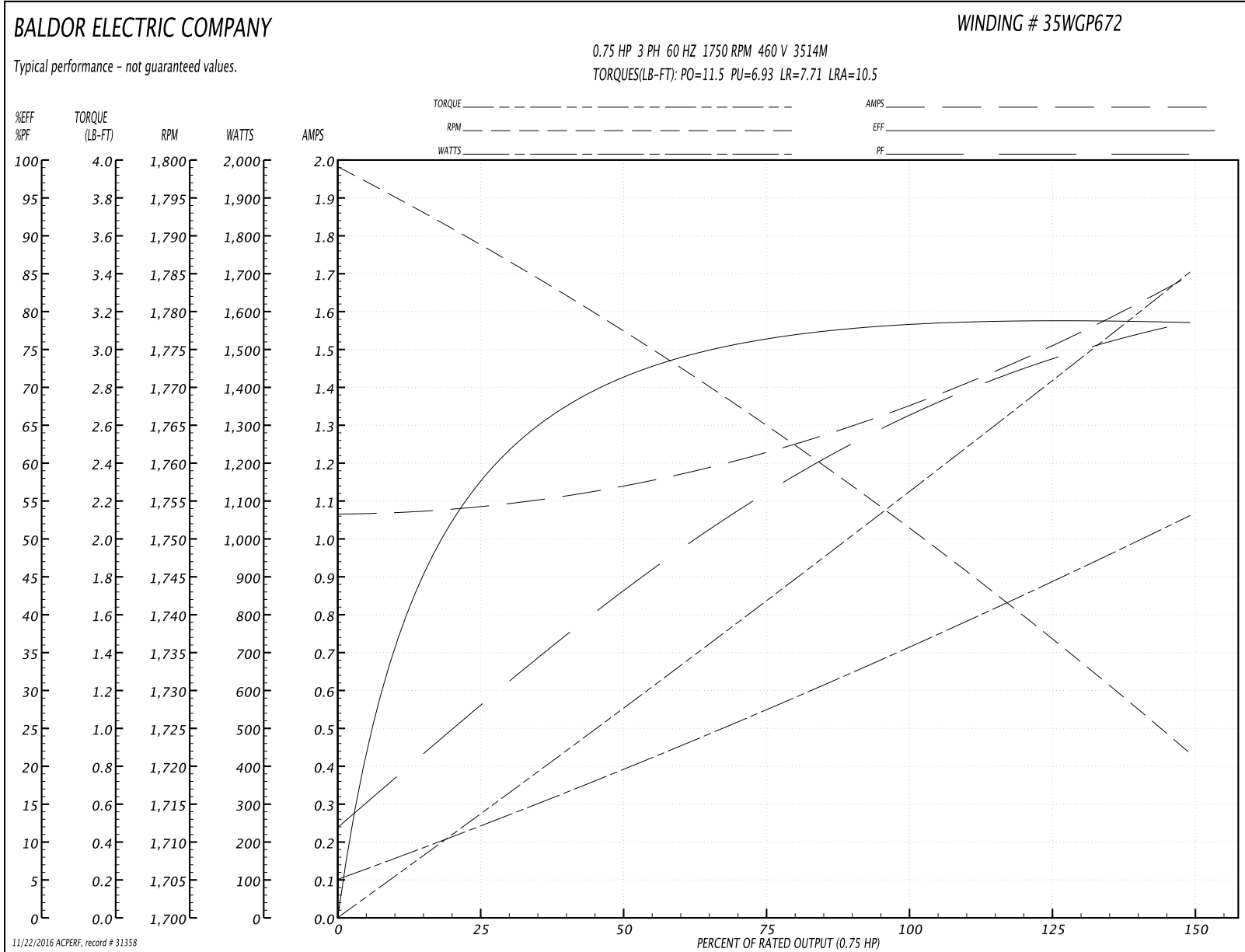
| | | |
|-------------------------------|--------------------|------------------------|
| Winding: 35WGP672-R002 | Type: 3514M | Enclosure: TENV |
|-------------------------------|--------------------|------------------------|

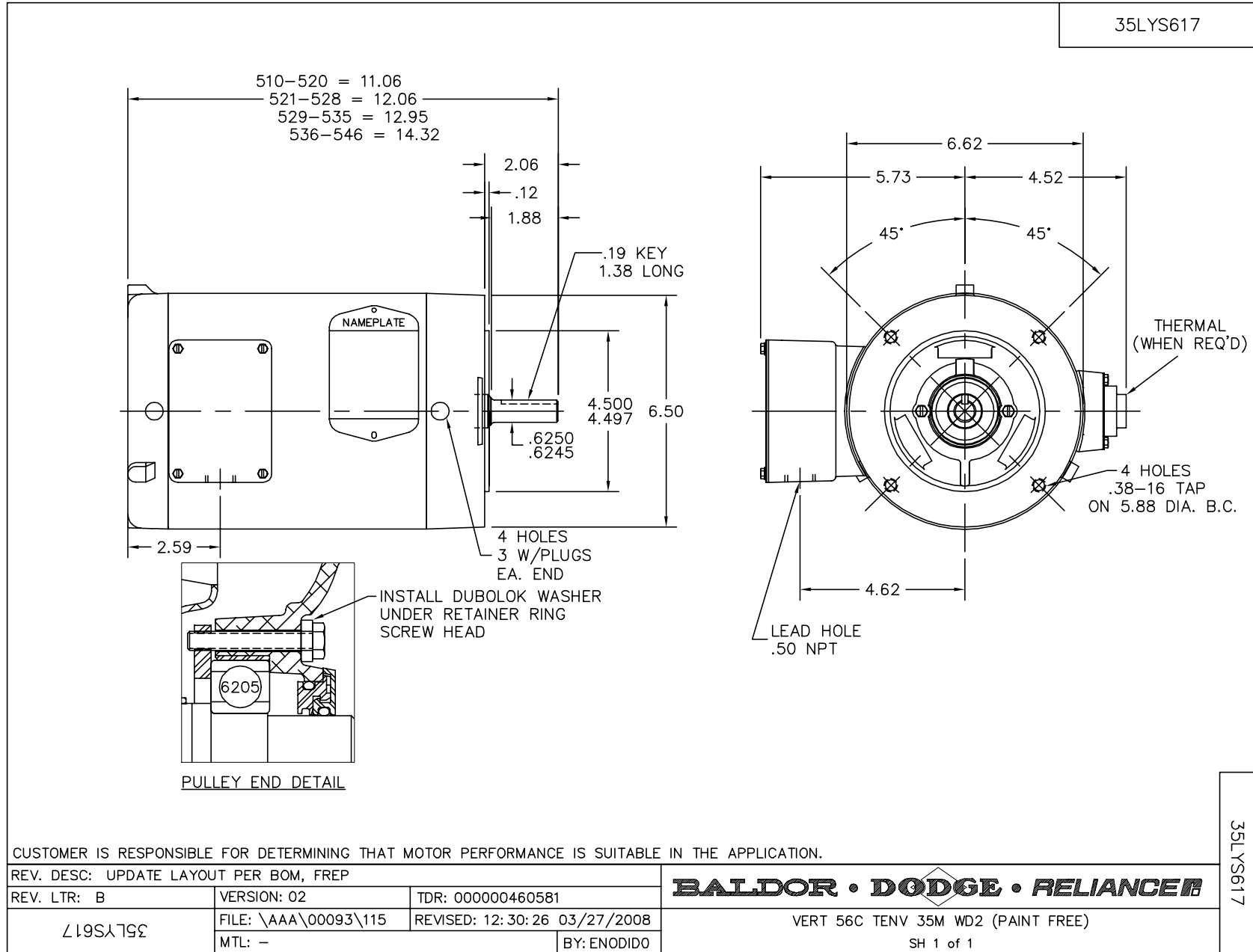
| Nameplate Data | | | | 460 V, 60 Hz: High Voltage Connection | |
|-----------------------|--------------|--------------|----|--|----------------|
| Rated Output (HP) | .75 | | | Full Load Torque | 2.26 LB-FT |
| Volts | 230/460 | | | Start Configuration | direct on line |
| Full Load Amps | 2.8/1.4 | | | Breakdown Torque | 11.5 LB-FT |
| R.P.M. | 1750 | | | Pull-up Torque | 6.93 LB-FT |
| Hz | 60 | Phase | 3 | Locked-rotor Torque | 7.71 LB-FT |
| NEMA Design Code | B | KVA Code | M | Starting Current | 10.5 A |
| Service Factor (S.F.) | 1.25 | | | No-load Current | 1.07 A |
| NEMA Nom. Eff. | 78.5 | Power Factor | 66 | Line-line Res. @ 25°C | 21.9 Ω |
| Rating - Duty | 40C AMB-CONT | | | Temp. Rise @ Rated Load | |
| S.F. Amps | 3/1.5 | | | Temp. Rise @ S.F. Load | |

Load Characteristics 460 V, 60 Hz, 0.75 HP

| % of Rated Load | 25 | 50 | 75 | 100 | 125 | 150 | S.F. |
|-----------------|------|------|------|------|------|------|------|
| Power Factor | 28 | 44 | 56 | 66 | 74 | 79 | 74 |
| Efficiency | 57.7 | 71.7 | 76.6 | 78.6 | 79 | 78.6 | 79 |
| Speed | 1789 | 1777 | 1766 | 1751 | 1736 | 1722 | 1736 |
| Line amperes | 1.08 | 1.14 | 1.22 | 1.36 | 1.52 | 1.69 | 1.52 |

Performance Graph at 460V, 60Hz, 0.75HP Typical performance - Not guaranteed values





CD0005

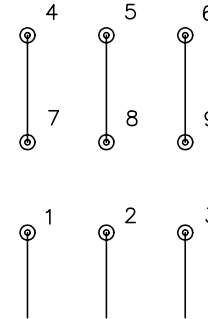


LOW VOLTAGE
(2Y)



LINE

HIGH VOLTAGE
(1Y)



LINE

NOTES:

1. INTERCHANGE ANY TWO LINE LEADS TO REVERSE ROTATION.
2. OPTIONAL THERMOSTATS ARE PROVIDED WHEN SPECIFIED.
3. ACTUAL NUMBER OF INTERNAL PARALLEL CIRCUITS MAY BE A MULTIPLE OF THOSE SHOWN ABOVE.
4. LEAD COLORS ARE OPTIONAL. LEADS MUST ALWAYS BE NUMBERED AS SHOWN.

REV. DESC: REVISE TO SHOW OPTIONAL COLORS

REV. LTR: E BY: JLP

REVISED: 01/19/99 10:15

TDR: 0171435

9000D

FILE: AAA00005140

MDL: -

MTL: -

BALDOR ELECTRIC Co.

3PH, DV, 9 LEADS

CD0005