

# **BALDOR**® • *RELIANCE*

## Product Information Packet

# **WDGF1524AG**

**WDF-924-15-B5-G**

<b>Nameplate NP1756</b>	
<b>INPUT H.P.</b>	2.11
<b>RATIO</b>	15
	<b>R TORQ-INLB</b> 992
	WDF-924-15-B5-G
<b>CAT./SPEC</b>	WDFG1524AG
<b>DATE CODE</b>	GR0210C010

Parts List		
Part Number	Description	Quantity
HG0018A12	924 WMGR HSG-SYMM, SEALED W/NP HOLES	1.000 EA
HA4027A02	SQUARE HEAD PIPE PLUG 3/8" NPTF #304 S.S	1.000 EA
921-1SR	N5000-244 RET RING	2.000 EA
WM0061B03	924 MTZ WORM ASSY 15:1 RATIO 5/8 W/O	1.000 EA
BG6305A01	6305 OPEN,C3,SLUSH	1.000 EA
HW5060A58	RET RING 5160-98 WALDES FOR .984 OR 1.00	1.000 EA
HA3555A05	EXPANSION PLUG 2.447/2.443 X .28	1.000 EA
HW4600G24	SEAL 35MM X 62MM X 8MM SGL LIP FT802	1.000 EA
GF0005A01	921-3F56 GEAR FLANGE 2.06 & 2.38 CD NEMA	1.000 EA
10XN3118S20	5/16-18 X 1 1/4 HEX HEAD CAP, STAINLESS	4.000 EA
HW1001S31	WASHER, 5/16 SPLT LK, STAINLESS STEEL	4.000 EA
BS0021A02	924-5 BEARING SUPPORT, OPEN - FOR SYMM H	1.000 EA
GS0036A01	WORMGEAR GASKET, .003 (GREEN), 4.15 ID X	1.000 EA
GS0036A02	WORMGEAR GASKET, .005 (BLUE), 4.15 ID X	2.000 EA
GS0036A03	WORMGEAR GASKET, .010 (BROWN), 4.15 ID X	2.000 EA
HW4600G32	SEAL 1.125 X 1.624 X 0.250 DBLLIP, FT802	1.000 EA
HW4600B74	V-RING SLINGER 1.125 X 1.445 X .24 VITON	1.000 EA
10XN3118S12	5/16-18 X 3/4 HEX HEAD CAP, STAINLESS ST	4.000 EA
SG0013B20	924 COMP GR SHF ASSY 15:1, SGL O/P, W/SS	1.000 EA
BS0049A02	924-5 BEARING SUPPORT, CLOSED - FOR SYMM	1.000 EA
GS0036A01	WORMGEAR GASKET, .003 (GREEN), 4.15 ID X	1.000 EA
GS0036A02	WORMGEAR GASKET, .005 (BLUE), 4.15 ID X	2.000 EA
GS0036A03	WORMGEAR GASKET, .010 (BROWN), 4.15 ID X	2.000 EA
10XN3118S12	5/16-18 X 3/4 HEX HEAD CAP, STAINLESS ST	4.000 EA

<b>Parts List (continued)</b>		
<b>Part Number</b>	<b>Description</b>	<b>Quantity</b>
HA3557A02	ALLIANCE #PP3/8 PLUG	4.000 EA
MJ1000A90	KLUBERSYNTH UH1-6-460 WORMGEAR OIL	0.206 GA
MJ5019A01	ADHESIVE LOCTITE #680 WAS BAD4525	0.001 EA
MJ5004A35	ADHESIVE LOCTITE #243-31 50 ML	0.001 EA
MJ5001A19	LOCTITE #598 ULTRA BLACK, 50 LB PAIL, IT	0.010 LB
MG1500Y09	RAL 1001 WILKOFAS 701.09	0.010 GA
MG1025W01	WILKOFAS, 781.01, SIGNAL WHITE #9003	0.010 GA
LB5042	TOE TAG, OIL PREFILL KLUBERSYN (5000/bx)	1.000 EA
LT0066A08	REDUCER MAINT - KLUBE (1700/bx) 8/09	1.000 EA
NP1756	NAMEPLATE, GEAR REDUCER, KLUBERSYNTH UH1	1.000 EA
LB1242	ADHESIVE PATCH 1.10 X 2.03 X .045 THICK	1.000 EA
85XU0208S03	2 X 3/16 DRIVE PIN S.S. (BMH5033)	2.000 EA
G1PA1001	PKG. GROUP, MED GEAR W/G1PK5001A01	1.000 EA
HW2502E11	SS KEY 1/4 X 1.125	1.000 EA
10XN3816S16	3/8-16 X 1 HEX HD CAP SCREW, STAINLE	4.000 EA
HW1001S38	WASHER, 3/8 SPLT LK, STAINLESS STEEL	4.000 EA
MJ1000B01	ANTISEIZE - ALTEMP Q NB 50, 750 GRAM CAN	0.001 EA
MP1009A01	4 X 4 ZIP POLYBAG, 4 MIL	1.000 EA
HA3556A01	CAPPLUGS T-7X, ORM BORE PLUG 5/8 BORE	1.000 EA

<b>Accessories</b>		
<b>Part Number</b>	<b>Description</b>	<b>Multiplier</b>
WDB24H71	WASHDOWN BASE-HORIZONTAL POS. A/B 924	

No performance data has been  
assigned to this product.

GY0210A01

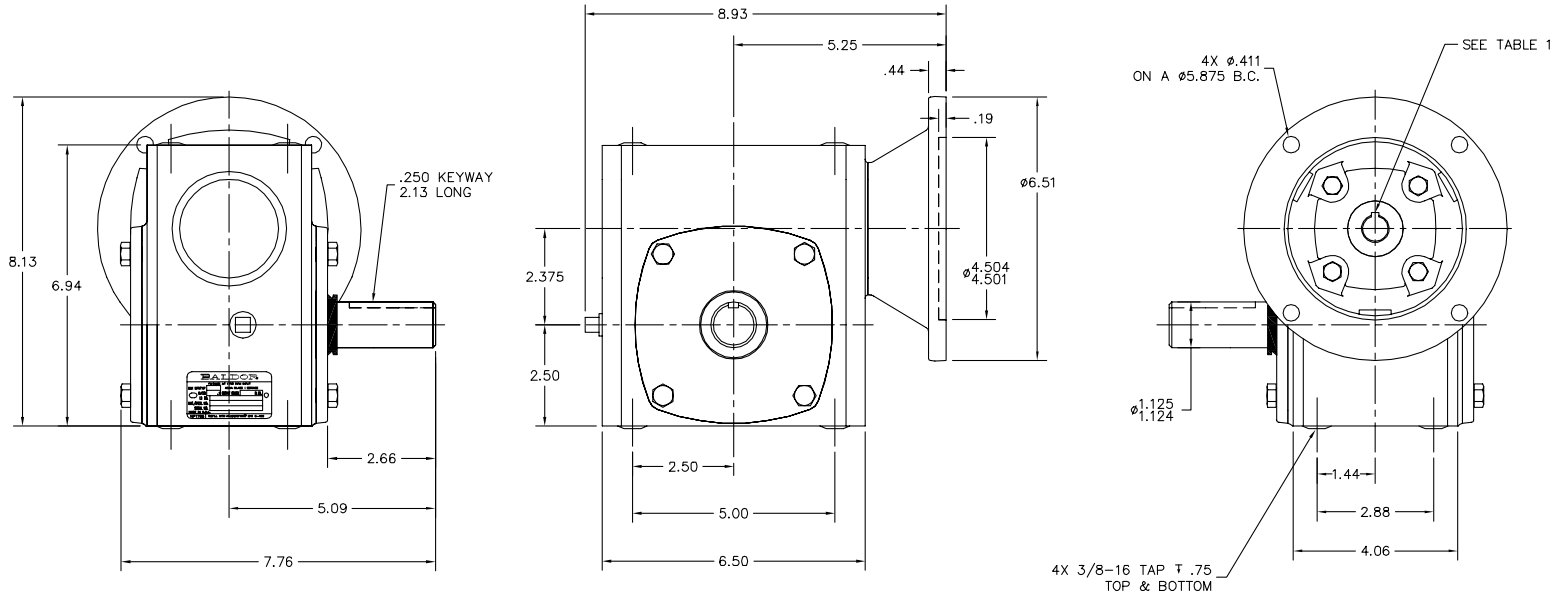


TABLE 1:

	BORE	KEYWAY
B5	.625	.188
B7	.875	.188

GY0210A01

CUST. NAME:		CUST. P.O.:		REV. DESC: CHANGE OP SHAFT DIAMETER TO 1.125-1.124"		<b>BALDOR • DODGE • RELIANCE</b>	
MODEL:		CATALOG/SPEC NO.:		REV. LTR: B		VERSION: 02	
RATIO:		MAX. INPUT HP:		FILE: \CKA\00010\101		TDR: 000000700116	
RATINGS ARE AGMA CLASS 1 SERVICE AT 1750 RPM INPUT		OUTPUT TORQUE:		REVISED: 10:01:31 06/20/2011		BY: CKAPRBO	
CERTIFIED BY:		MTL: -		WDF-924-G STANDARD MOUNTING SH 1 of 1			