

BALDOR® • ***RELIANCE***

Product Information Packet

ZDBRPM18204C

20HP, 1750RPM, 3PH, 60HZ, 1852C, TEBC, FOOT

Part Detail							
Revision:	A	Status:	PRD/A	Change #:		Proprietary:	No
Type:	AC	Prod. Type:		Elec. Spec:	L3218A	CD Diagram:	422927-001
Enclosure:	TEBC	Mfg Plant:		Mech. Spec:		Layout:	617235-315
Frame:	FL1852C	Mounting:	F3	Poles:	04	Created Date:	04-10-2015
Base:		Rotation:	R	Insulation:	H	Eff. Date:	08-27-2015
Leads:						Replaced By:	
Literature:		Elec. Diagram:					

Parts List		
Part Number	Description	Quantity
WS286778	WS P18T0373	1.000 EA
RA282986	RA P18T0373	1.000 EA
000613006NS	RPM AC WITH CERTIFIED LOGO	1.000 EA
000692000FP	NP, WARNING LIFT INSTRUCTIONS	1.000 EA
418057747A	METAL FASTENER	8.000 EA
000692000NH	LABEL DIRECTION AIR FL	1.000 EA
418018079A	LABEL	1.000 EA
418056062A	NP AC BLOWER DATA	1.000 EA
422927001	C/D LABEL	1.000 EA
032003200CB	FL1852 THRU BOLT	4.000 EA
033102012AG	HXNUT LEAD CONN	4.000 EA
034017012AB	LCKW 1/4 STD. PLATED	4.000 EA
036000050JB	M8-1,25 X 50 MHHCS	2.000 EA
400638001D	WAVEN	1.000 EA
411693051B	LUG, LIFTING	2.000 EA
602018077A	DRAIN	1.000 EA
602018077A	DRAIN	1.000 EA
807580002BAA	BRKT,DE,FL181 807580-1WCC	1.000 EA
807580003AAB	BRKT,ODE180AC 807580-1WCC	1.000 EA
032018010DK	HHCS 1/2-13X1-1/4 PLATED	2.000 EA
036000012HB	HHCS M6X12MM LONG PLATED	2.000 EA
036000012HB	HHCS M6X12MM LONG PLATED	3.000 EA
036000025JB	HHCS M8X25MM LONG PLATED	4.000 EA
036310010FB	RHMS TERM/BLK MTG	2.000 EA

Parts List (continued)		
Part Number	Description	Quantity
036320008CB	M2.5 SCREW	4.000 EA
036500006AB	M4-0.7 METRIC HEX NUT	2.000 EA
036620009AB	M8 EXTERNAL LK WASHER	1.000 EA
065530000B	GASK	1.000 EA
075451000A	COVER, CONDUIT BOX	1.000 EA
406673002C	.75 CAP PLUG	2.000 EA
415000103G	TLUG	1.000 EA
417733001A	GSK C/ BOX BASE	2.000 EA
418010006B	PLATE, MOUNTING	1.000 EA
418018074A	GROUND LABEL G100 METRIC 160 D.C.	1.000 EA
418057169A	LKNUT CAMER	1.000 EA
418057260A	SCREW PHILLIPS PAN HD	4.000 EA
418057367A	CLIP, BEI TACH	2.000 EA
418057373A	SCREW SHEET METAL	3.000 EA
418057381A	CONDUIT WASHER	1.000 EA
418057499A	PLATE	1.000 EA
422962051BW	STUB SHAFT	1.000 EA
607980192B	RF,BEI,HS35,TWISTLOCK	1.000 EA
613450011A	BLMTR SQ AC 210	1.000 EA
706320003A	CONDUIT BOX	1.000 EA
807505050B	SHROUD, FAN/BLOWER	1.000 EA
807505051A	GRILL, FAN COVER	1.000 EA
418057243A	GROOVE PIN	1.000 EA
807504052D	FL180 FRAME	1.000 EA

Product Information Packet: ZDBRPM18204C - 20HP, 1750RPM,3PH,60HZ,1852C,TEBC,FOOT

000640000P	TAG WINDING THERMOST	1.000 EA
004824007K	SPECIAL PAINT	0.100 EA
034180022FA	KEY 3/8X3/8X2-3/4 L	1.000 EA

REL S.O.	-	VOLTS	460	ENCLOSURE	TEBC	WYE	CONN EQ	CKT OHMS	PER PHASE
FRAME	F11852	AMPS	27	MAX SAFE RPM	7200	(AT BASE RATING, 25 °C)			
HP	20	DUTY	CONT	IM (AMPS)	14.6	R1	.258	X1	.906
BASE SPEED	1755	S.F.	1.0	P.F. @NL/FL	.060/.796	R2	.191	X2	1.03
PHASE/HERTZ	3/60	AMB °C/INSUL	40/H	WK ² (lb-ft ²)	.8			XM	18.9


RATED FULL LOAD DATA

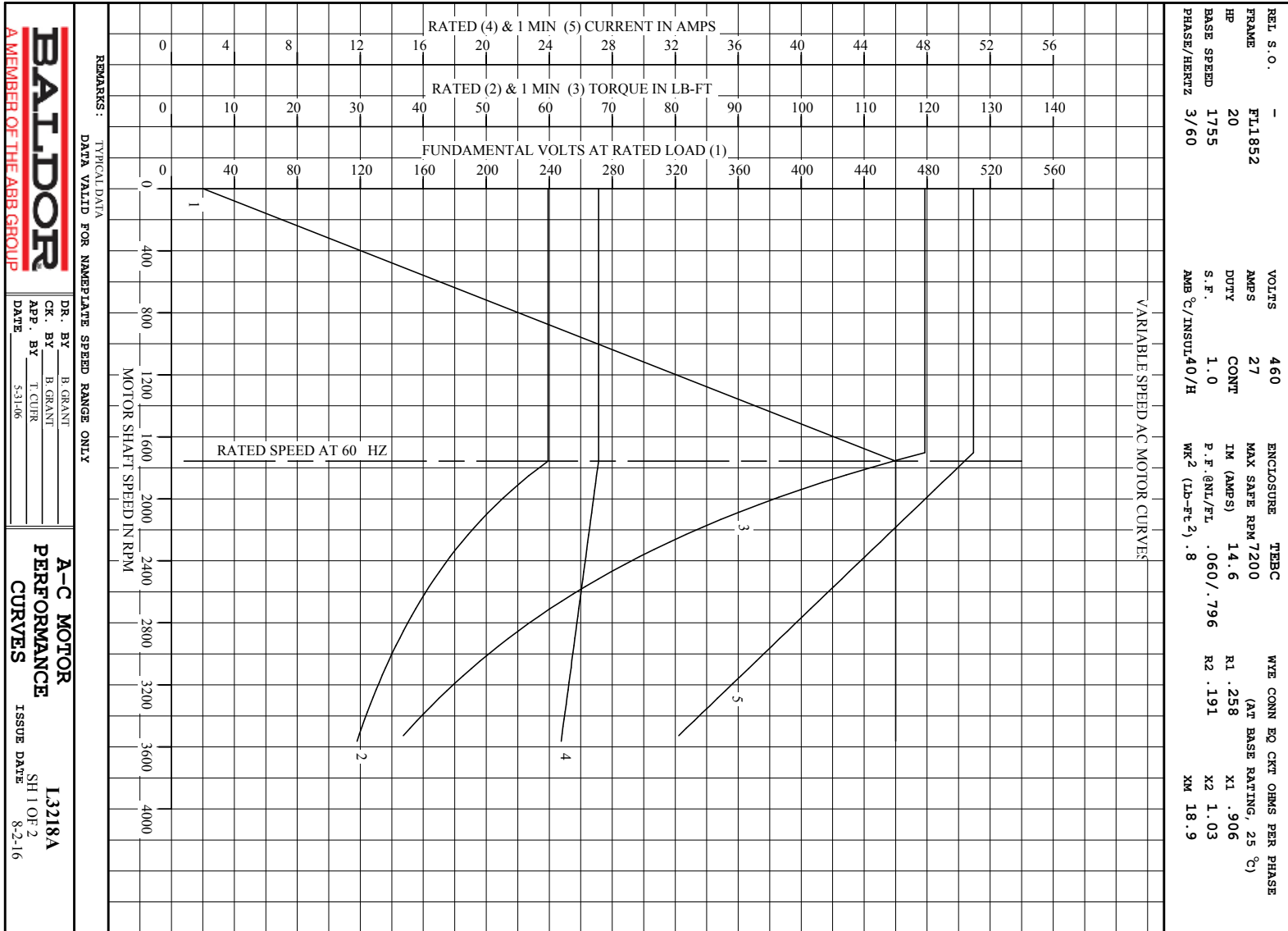
	RPM	HP	TORQUE LB-FT	FUND VOLTS	FREQ-HZ	AMPS
BASE SPEED	1757	20.0	60	460	60	27.1
MAX SPEED	3564	20.0	29	460	122	24.8
MIN SPEED	0	0	60	20.2	1.44	27.1

LOAD PERFORMANCE AT BASE SPEED

	RPM	HP	TORQUE LB-FT	FUND VOLTS	FREQ-HZ	AMPS
NO LOAD	1800	0	0	460	60	14.3
1/4	1790	5.01	15	460	60	15.5
1/2	1779	10.0	30	460	60	18.5
3/4	1769	15.0	45	460	60	22.3
FULL LOAD	1757	20.0	60	460	60	27.1
O/L	1701	38.8	120	460	60	50.9

REMARKS: TYPICAL DATA

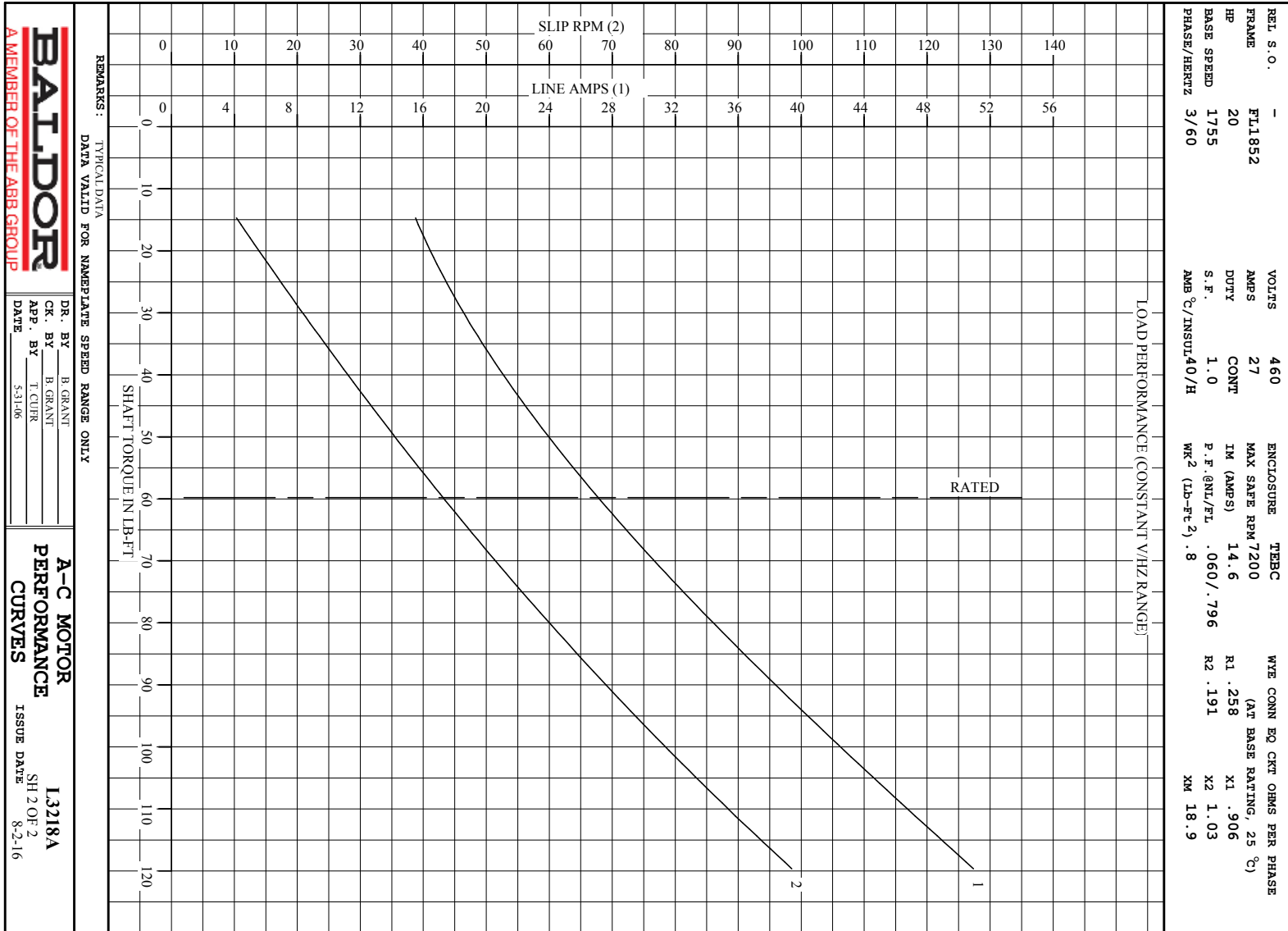
 A MEMBER OF THE ABB GROUP	DR. BY <u> </u> B. GRANT CR. BY <u> </u> B. GRANT APP. BY <u> </u> T. CUER DATE <u> </u> 5-31-06	A-C MOTOR PERFORMANCE DATA I3218A ISSUE DATE 8-2-16
---	---	--

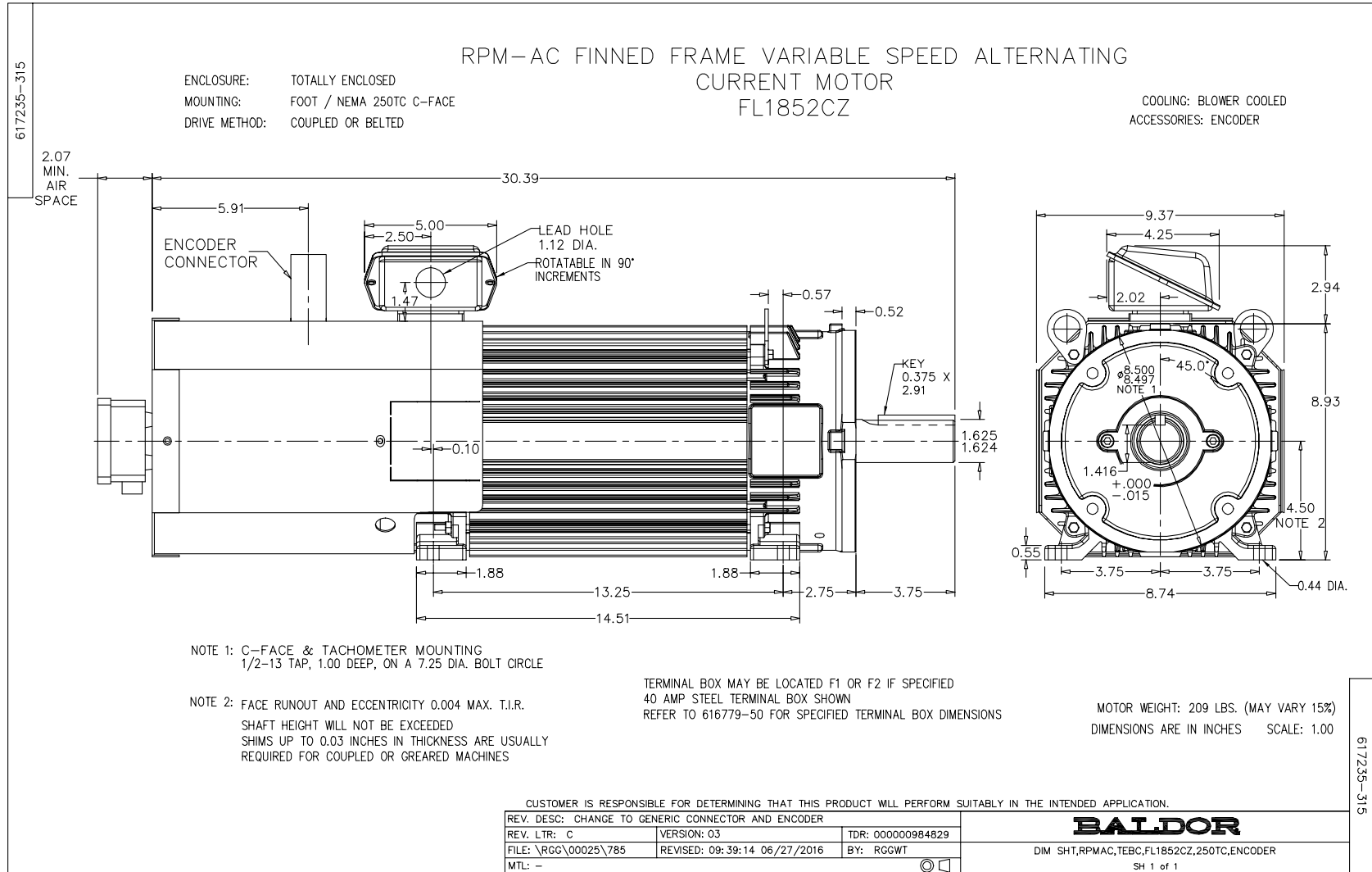


BALDOR
A MEMBER OF THE ABB GROUP

DR. BY B. GRANT
CR. BY H. GRANT
APP. BY T. CURR
DATE 5-31-06

A-C MOTOR
PERFORMANCE
CURVES
ISSUE DATE 8-2-16
13218A
SH 1 OF 2

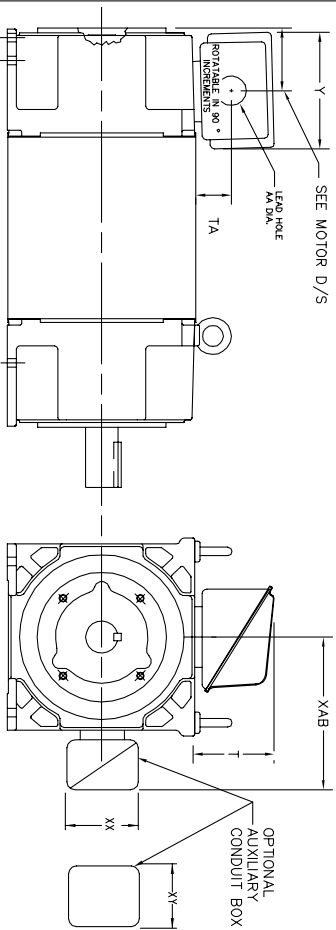




618779-050

INDUSTRIAL ALTERNATING CURRENT MOTORS RPM AC

STEEL, CAST IRON, MILL AND TERMINAL BOARD CONDUIT BOX DIMENSIONS
NEMA FRAMES FL210 thru RL280 and IEC FRAMES RDL132 thru RDL180
NEMA FRAMES FL180 thru FL280 and IEC FRAMES FDL112 thru FDL180



TERMINAL BOX	Y	TA	T	AA	MAX AMP	REMARKS
706310-63B	14.39	7.43	12.15	--	400	TERMINAL STRIP
706310-226R	9.00	3.06	5.40	Pg36 & Pq16	160	TERMINAL STRIP
706310-225R	7.25	2.30	4.40	Pg29 & Pq16	100	TERMINAL STRIP
706310-56B	9.00	3.06	5.40	Pg36 & Pq16	160	TERMINAL STRIP
706310-56A	7.75	2.30	4.40	Pg29 & Pq16	100	TERMINAL STRIP
706320-14D	15.00	7.56	12.81	5	510	CAST IRON
706320-13A	10.50	4.88	9.00	4.0 TAP	210	CAST IRON
706320-12B	9.25	4.81	8.56	3	140	CAST IRON
75460-62B	7.25	2.50	5.25	1.5 TAP	110	CAST IRON
706320-4C	5.75	2.38	4.38	1.0 TAP	60	CAST IRON FL180 ONLY
706310-3E	16.00	4.40	7.81	3	590	MILL
706310-3X	8.00	2.38	5.00	--	160	MILL
702658-1G	14.62	7.56	12.70	5	500	STEEL
706320-16A	9.00	4.12	8.44	4.59	305	STEEL
706320-9A	7.25	3.50	7.06	2.50	160	STEEL
75454-1AJ	7.69	2.38	5.25	1.94	121	STEEL
75452-B	6.34	2.00	4.12	1.75	61	STEEL
75452-G	6.34	2.00	4.12	--	61	SPECIAL
706320-5A	6.12	2.38	4.38	1.75/2.00	75	STEEL FL180 ONLY
706320-3A	5.00	1.62	3.00	1.12	40	STEEL FL180 ONLY
706320-7A	7.62	2.00	7.00	2.5/3.0	208	STEEL FL180 ONLY

FRAME SIZE	XAB	OPTIMAL AUXILIARY CONDUIT BOX DIMENSIONS (MAXIMUM)				PART NUMBER			
		XX	XY	XZ	XY				
FL210/FL132/RL210/RL132	7.38	4.25	4.25	6.0200-7-26-A	FL210/FL132/RL210/RL132	10.88	8.00	8.00	706310-3-B
FL220/FL180/RL220/RL180	8.44	4.23	4.23	6.0200-7-26-A	FL220/FL180/RL220/RL180	11.88	8.00	8.00	706310-3-B
FL280/FL180/RL280/RL180	9.12	4.23	4.23	6.0200-7-26-A	FL280/FL180/RL280/RL180	12.62	8.00	8.00	706310-3-B

- (1) 'AA' CONDUIT
- (2) 'AA' PIPE TAP
- (3) CUSTOMER TO PROVIDE HOLE FOR CONDUIT.
- (4) Z DIA -3A or 1 TAP DIA -4C

TERMINAL BOX CAN BE ROTATED FOR LEAD OUTLET AT TOP, SIDES OR BOTTOM.
TERMINAL BOX LOCATED ON OPPOSITE SIDE WHEN F-2, W-1, W-4, W-5, W-7,
OR C-1 MOUNTING IS SPECIFIED. BOX LOCATED ON TOP WHEN SPECIFIED.

050-6071919

CUSTOMER IS RESPONSIBLE FOR DETERMINING THAT BALDOR'S PRODUCT WILL PERFORM SUITABLY IN THE INTENDED APPLICATION.

REV. DESC: BOX # 706320-9A, CHANGE AA DIM FROM 2 TO 2.50	TDR: 000000785386
REV. LTR: C	VERSION: 03
FILE: \RGG\00003\692	REVISED: 08:40:55 02/11/2013
MTL: -	BY: RGGWT

BALDOR

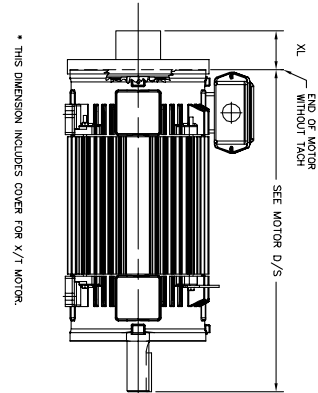
DIM SHT NEMA RL210-RL280 FL180-FL280 IEC RDL132-RDL180

SH 1 of 1

RPM AC TACHOMETER DIMENSIONS
 NEMA FRAMES FL180 thru FL440 and IEC FRAMES FDL112 thru FDL280
 DIMENSIONS ARE IN INCHES(mm)

DPFV, DPSV, TEPV, TESV, TENV & TEAO-PB
 IC06, IC17, IC37, IC410, & IC416-PB

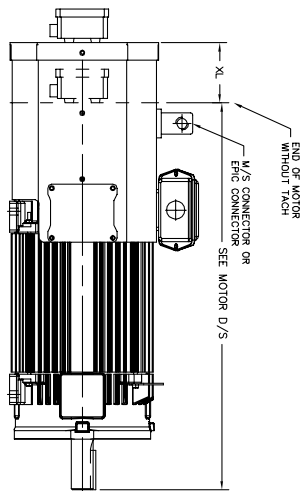
TACH MODEL	XL Inchest(mm)	LBS.
BEI DE DYNAPAR HS35	2.88 (74)	5
DYNAPAR H20	7.50 (191)MAX	10
NORTHSTAR HS35M	3.31 (84)	10
NORTHSTAR ST67	2.88 (74)	5
DYNAPAR H56	10.56 (268)	40
AVTRON M3 DR M4	3.62 (92)	10
TAMAGAWA TS5013(X17)	6.00 (152)	10
NORTHSTAR ST56	2.88 (74)	5
NORTHSTAR ST85	2.00 (51)	5
BEI H38D	10.17 (259)	15
TAMAGAWA TS2151	2.64 (67)	5
BEI H23	7.50 (191)	15
DYNAPAR H20	2.00 (50.8)	5
DYNAPAR H25	12.88 (327)	10
STEGMANN SRS25	7.25 (184.4)	10
NORTHSTAR HS035	3.00 (76.2)	10
HEIDENHAIN ERM425	2.5 (63.5)	5
AVTRON HS35M	4.19 (106.4)	5
HEIDENHAIN ERN480	5.00 (126.2)	5
DYNAPAR H125	7.00 (177.8)	10
DYNAPAR H22	3.62 (92.1)	5
AVTRON H255	2.54 (64.5)	9
AVTRON AV950	2.54 (64.5)	9
AVTRON AV956	4.50 (115)	15
HS108	3.30 (84)	5
HS125	3.30 (84)	2
NORTHSTAR RT8	3.25 (83)	15
DYNAPAR H4625	5.88 (150)	10
AVTRON AV485	5.50 (141)	18



* THIS DIMENSION INCLUDES COVER FOR X/7 MOTOR.

TEAO-BC, IC416-BC

TACH MODEL	XL Inchest(mm)	LBS.
BEI DE DYNAPAR HS35	4.50 (115)	15
DYNAPAR H20	4.50 (115)	10
AVTRON M3 DR M4	4.50 (115)	10
NORTHSTAR HS35M	4.50 (115)	15
NORTHSTAR ST56	4.50 (115)	10
NORTHSTAR ST67	4.50 (115)	10
NORTHSTAR ST85	4.50 (115)	5
TAMAGAWA TS5008 TS5013	4.50 (115)	10
DYNAPAR H20	4.50 (115)	10
STEGMANN SRS25	4.50 (115)	10
STEGMANN SRS25/SH50	4.50 (115)	3
STEGMANN SRS360	4.50 (115)	15
H20 & H2E	4.50 (115)	15
AVTRON HS35M	4.50 (115)	10
AVTRON AV95	4.50 (115)	10
AVTRON M56	4.50 (115)	5
AVTRON AV67	4.50 (115)	10
HS108	4.50 (115)	5
TS2014	4.50 (115)	10
AVTRON HS45	4.50 (115)	15
DYNAPAR HS035M	4.50 (115)	15



CUSTOMER IS RESPONSIBLE FOR DETERMINING THAT BALDOR'S PRODUCT WILL PERFORM SUITABLY IN THE INTENDED APPLICATION.

REV. DESC: ADD TAMAGAWA TS5008 (B1248085)	VERSION: 19	TDR: 000000895710
REV. LTR: U	REVISD: 08:00:14 03/06/2015	BY: RGGWT
FILE: \RGG\00003\694		
MTL: -		

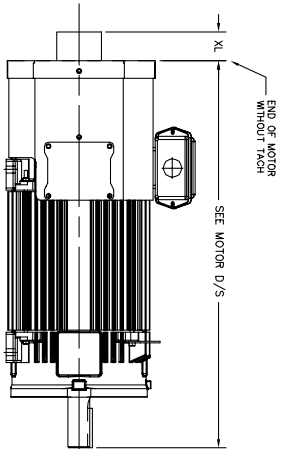
BALDOR
 DIM SHT TACH DIM NEMA FL180 - FL440 IEC FDL112 - FDL280
 SH 1 of 1

616779-055

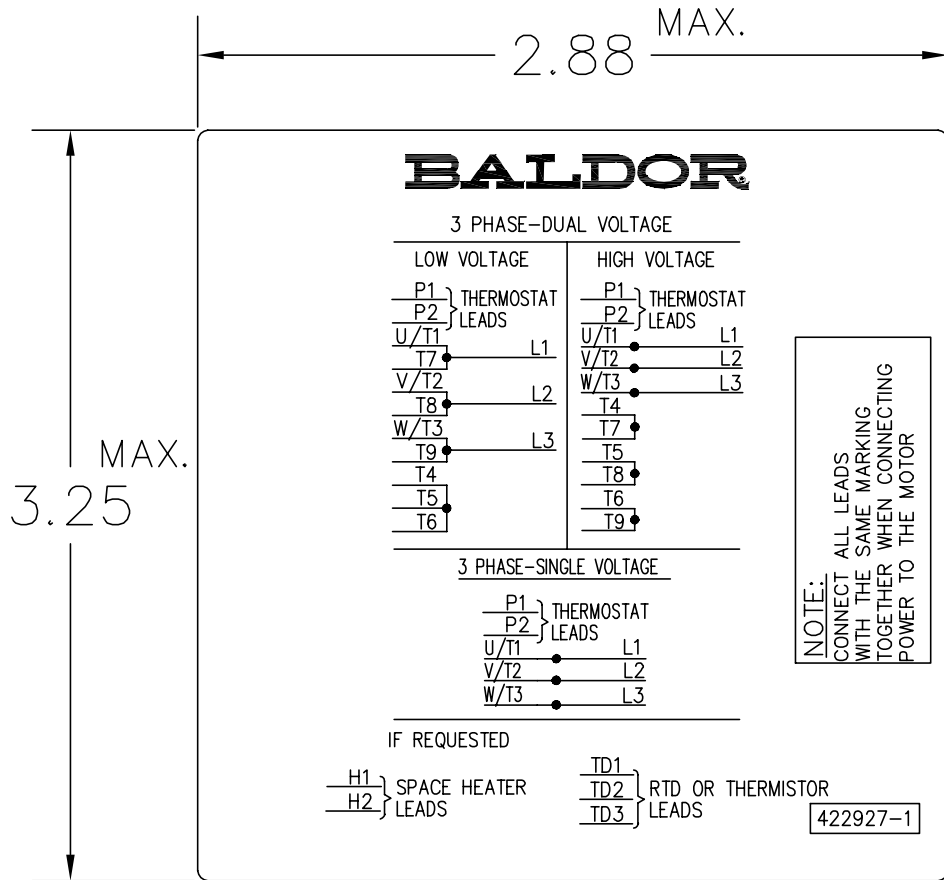
055-6179-11

TEFC, IC411

TACH MODEL	XL Inchest(mm)	LBS.
BEI HS35	2.88 (74)	7
NORTHSTAR HS35M	3.31 (84)	10
DYNAPAR H20	3.75 (95)	15
DYNAPAR HS35, HS038	2.88 (74)	7
H20(X17)	9.75 (248)	35
ERM425	7.90 (201)	35
AVTRON HS35M	4.19 (106)	2
STEGMANN SRS50	3.75 (95)	1
DYNAPAR H20	2.00 (51)	1
NORTHSTAR HS125	2.81 (71)	2
NORTHSTAR HS128	3.30 (84)	5



422927-001



NOTE:
DATA TO BE SIZED
SO THAT IT FITS INTO
MATERIAL DECAL
DIMENSIONS. MAKE
LETTERS & NUMBERS
AS LARGE AS POSSIBLE.

MATERIAL: CERAMATIC DGF-P4
PERMA GRIP ADHESIVE

ALL LETTERS, NUMBERS
AND LINES TO BE BLACK
ON WHITE BACKGROUND.

NOTE:
CONNECT ALL LEADS
WITH THE SAME MARKING
TOGETHER WHEN CONNECTING
POWER TO THE MOTOR

422927-001

REV. DESC: CHANGE BACKGROUND COLOR FROM GOLD TO WHITE			
REV. LTR: B	VERSION: 02	TDR: 000000788708	
FILE: \RGG\00000\203	REVISED: 08:09:29 03/04/2013		
MTL: -	BY: RGGWT		

BALDOR

EXTERNAL CONNECTION LABEL

SH 1 of 1

Marketing maintained PDF of MN406:

<http://www.baldor.com/support/Literature/Load.ashx/MN406?ManNumber=MN406>