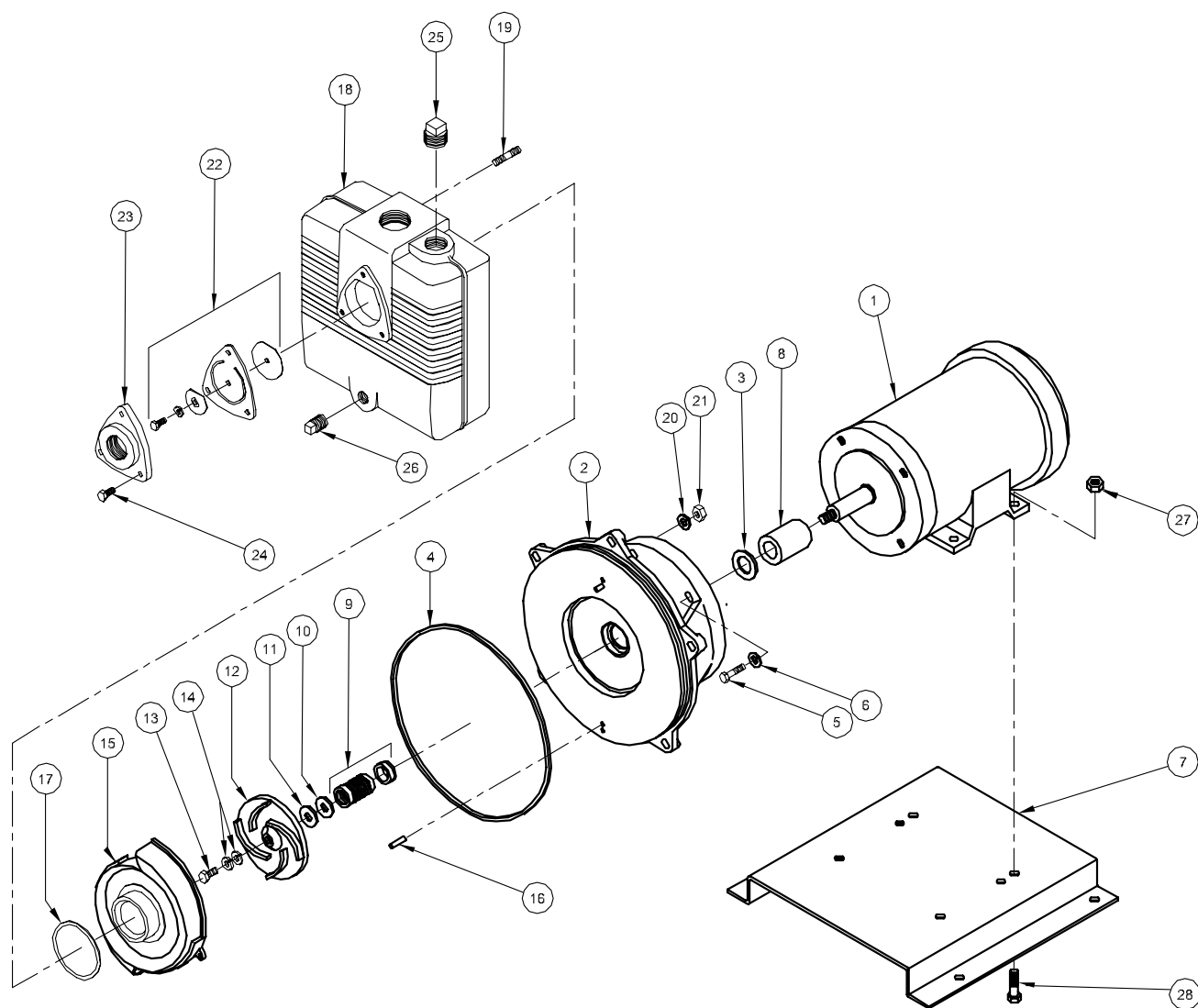


### BARNES • PROSSER • CROWN SERVICE PARTS

MODEL	PART NO.		
15CCE	028508		
20CCE	028510		
25CCE	028512		

Manual: 022567



Continued →

**BARNES • PROSSER • CROWN SERVICE PARTS**

**PARTS KIT**

**Seal Kit ..... P/N: 072918** (‡) 3, 4, 8, 9, 10, 11, 16, 17, 22C

**PARTS LIST**

ITEM	QTY.	PART No.	DESCRIPTION
1	1	028496	Motor - 15CCE 200-230/460, ODP
	1	028497	Motor - 20CCE 200-230/460, ODP
	1	028498	Motor - 25CCE 200-230/460, ODP
	1	035185	Motor - 15CCE 200-230/460, TEFC
	1	028497F	Motor - 20CCE 200-230/460, TEFC
	1	028498D	Motor - 25CCE 200-230/460, TEFC
2	1	019553	Intermediate Coupling
3	1	005163 ‡	Slinger
4	1	018386 ‡	O-Ring
5	4	002266	Cap Screw 1/2-13 x 1.50" Lg, Steel
6	4	002608	Lock Washer 1/2" Steel
7	1	027174	Base, 15CCE
		027352	Base, 20CCE, 25CCE
8	1	018071 ‡	Shaft Sleeve
9	1	019146 ‡	Shaft Seal C/NR/B
10	A/R	001349 ‡	Shim, .010
11	A/R	001348 ‡	Shim, .031
12	1	090053TB	Impeller, 15CCE
	1	090050TB	Impeller, 20CCE
	1	051102	Impeller, 25CCE
13	1	019802	Hex Hd Screw 1/2-20 x 1.00" Lg, Stainless
14	2	019803	Washer, Shakeproof 1/2, Stainless
	1	070089	Washer, 25CCE Only
15	1	018883	Volute, 15CCE, 20CCE
	1	019102	Volute, 25CCE
16	2	017715 ‡	Pin, Volute
17	1	018388 ‡	Gasket, Volute
18	1	019042	Body
19	5	016409	Stud 1/2-13 x 2" Lg, Steel
20	7	002608	Lock Washer 1/2", Steel
21	3	15-6-6	Hex Nut 1/2-13, Zp
22	1	018387	Check Valve Assy.
22a	1	001588	Weight 2.75" O.D., Steel
22b	1	067500	Weight 4" O.D., Steel
22c	1	018008 ‡	Gasket Neoprene
22d	1	022333	Lock Washer 1/4", Stainless
22e	1	1-7-1	Hex Hd Screw 1/4-20 x 1.00" Lg, Stainless
22f	1	15-5-1	Hex Nut 1/4-20, Stainless
23	1	018884	Suction Flange, 15CCE
24	3	Q15-1-E26	Cap Screw 1/2-13 x 1.25" Lg, Steel
25	1	003205	Pipe Plug 1.00 NPT
26	1	003205	Pipe Plug 1.00 NPT
27	4	15-23-6	Hex Nut 3/8-16 Zp
28	4	002234	Hex Hd Screw 3/8-16 x 1.00"Lg, Stainless

**End**

SECTION 4E  
PAGE 6  
DATE 5/06



**PUMPS & SYSTEMS**