



CHUGGER PUMP® is a home brew beer pump designed to transfer hot and cold liquids between brewing vessels. It is **NOT** a self-priming pump - **DO NOT RUN DRY!**

Model	Construction	Max Flow	Max Head	Port Sizes	Voltage	Max Temp	HP
CPSS-IN-1	Stainless Steel	7 GPM	18 Feet	1/2" x 1/2" MPT	115v	250° F	1/20 or.04
CPSS-IN-2	Stainless Steel	7 GPM	18 Feet	1/2" x 1/2" MPT	230v	250° F	1/20 or.04
CPSS-CI-1	Stainless Steel	7 GPM	18 Feet	3/4" x 1/2" MPT	115v	250° F	1/20 or.04
CPSS-CI-2	Stainless Steel	7 GPM	18 Feet	3/4" x 1/2" MPT	230v	250° F	1/20 or.04
CPPS-IN-1	Polysulfone	7 GPM	18 Feet	1/2" x 1/2" MPT	115v	250° F	1/20 or.04

Installation

The Chugger Pump is shipped ready for installation. Directional arrows on the pump head show fluid direction through the pump. The four screws on the pump head may be removed and the pump head can be rotated as required to fit your piping system.

- The motor should be oiled yearly with 4-5 drops SAE20 weight non-detergent oil, do not over oil.
- Follow all local electrical and safety codes and always disconnect power before performing work on or near the pump motor.

Note: Impeller is made from FDA Ryton/Teflon and Stainless Steel. These pumps must be cleaned and sanitized prior to use.

Additional Information

- Electrical: 50hz / 60hz
- Motor Amps: 1.7
- Pump & Motor Amps: 1.9
- 3500 RPM Motor
- 55" Cord w/plug (230v **No Plug**)
- Weight: 7 lbs.
- Materials are Food Grade Compliant
- Non Submersible
- Components are UL Recognized



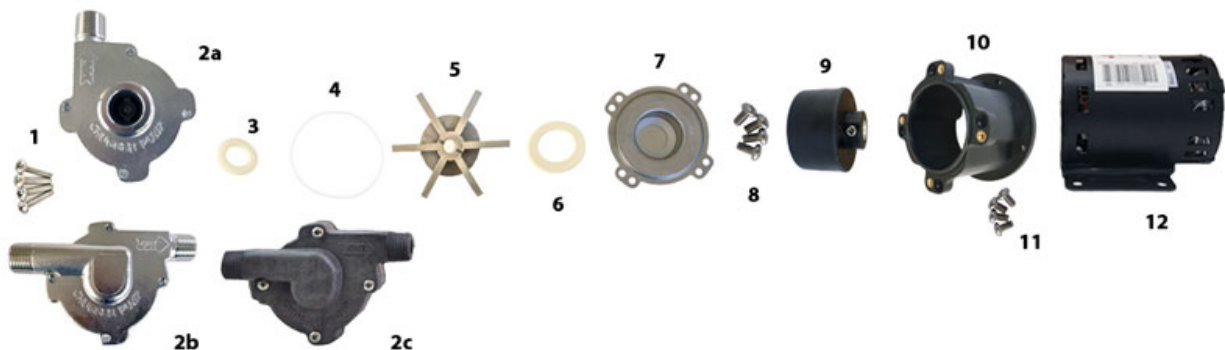
The ETL Listed Mark indicates to distributors, retailers and customers that your product has been tested by Intertek and found in compliance with accepted national standards. Click [here](#) for more information.

Limited Warranty

Chugger Pumps are warranted only against defects in workmanship for a period of 6 months from the date of purchase. **DO NOT RUN THE PUMP DRY**, it will not be covered under warranty.

A Squealing sound is a warning you are running the pump with no fluid! Power Off Immediately!

Do not plumb inlet tubing or connections with less than ½” full port fittings. This will result in cavitation and problems with your pump!



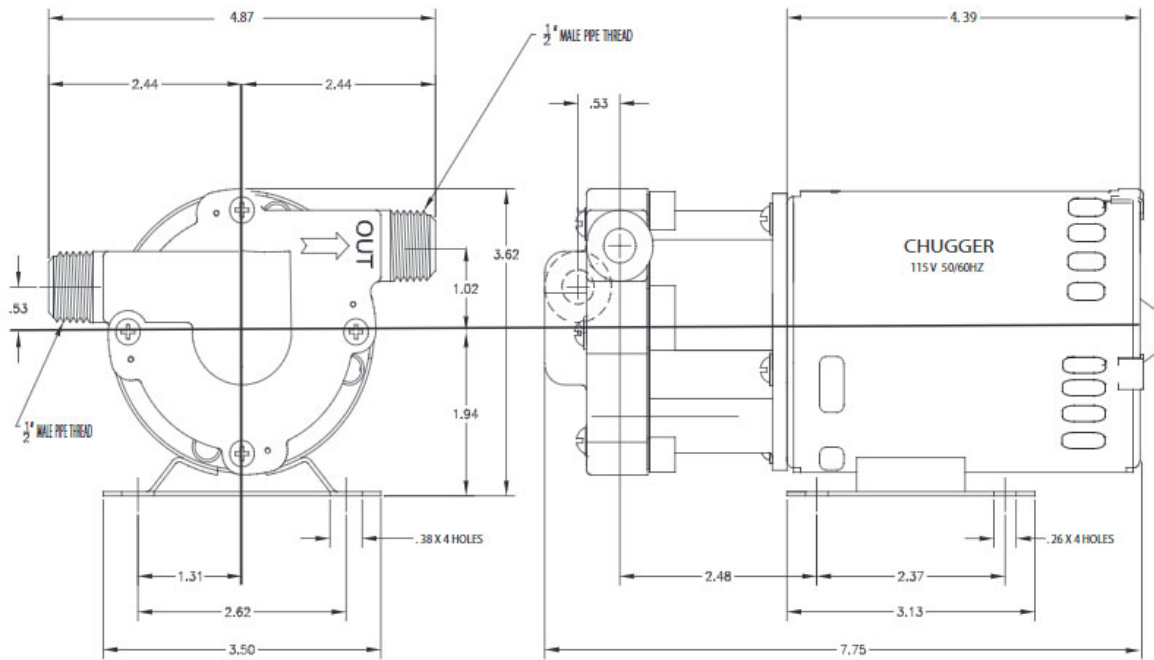
1.	CP-21	Housing Screw (4)	7.	CP-26	CPSS Rear Housing
2a.	CP-22-CI	Head, SS Center Inlet	8.	CP-30	Rear Housing Screw (4)
2b.	CP-22-IN	Head, SS Inline Inlet			
2c.	CP-22-PS	Head, Polysulfone Inline Inlet			
3.	CP-24-2	Small Thrust Washer	9.	CP-27	Drive Magnet
4.	CP-23	Housing O-Ring	10.	CP-28	Motor Bracket
5.	CP-25	Impeller	11.	CP-31	Motor Screw (4)
6.	CP-24-1	Large Thrust Washer	12.	CP-29	115v/230v Motor

Repair Parts / Repair Kits Available

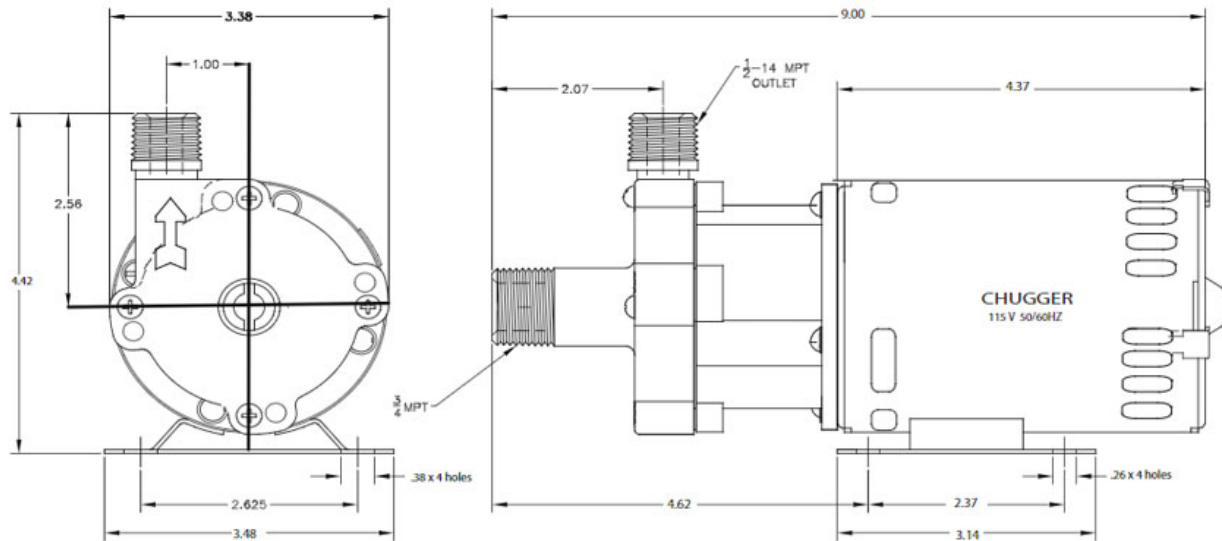
- **Replacement Heads**
 - SSPH-CI (Center Inlet) – 3/4” x 1/2” Connections
 - SSPH-IN (Inline Inlet) – 1/2” Connections
- **Repair Kit – CP-RPK**
 - Includes: (1) O-Ring: CP-23, (1) Impeller: CP-25, (1) Large Thrust Washer: CP-24-1, (1) Small Thrust Washer: CP-24-2

Dimensions

CPSS-IN & CPPS-IN 115/230 Volt Models



CPSS-CI 115/230 Volt Models

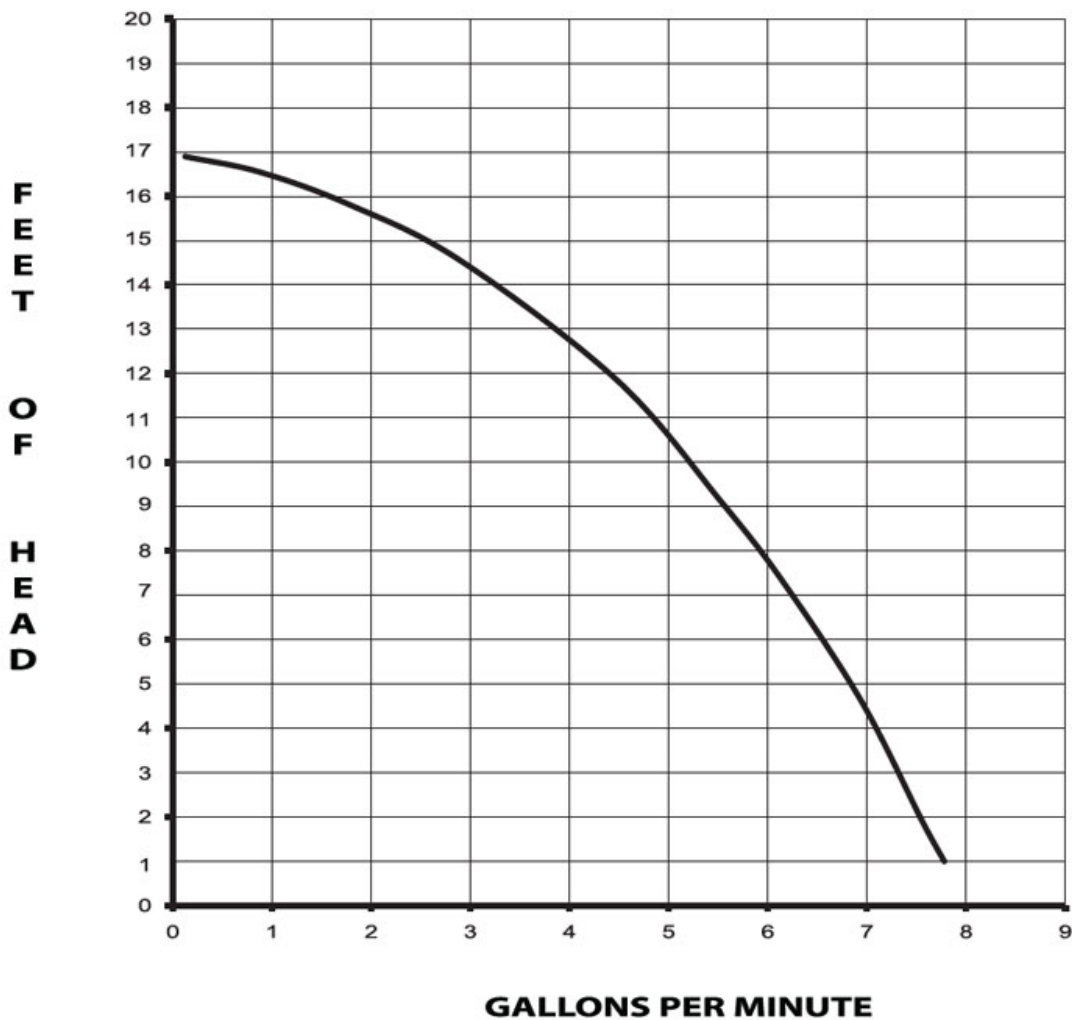


Notes: 55" Cord on right side of pump looking from the rear. All measurements in inches.

Pump Curve



Models CPSS-IN, CPSS-CI & CPSS-IN



<http://www.chuggerpumps.com>