



SDS-ST

SINK DRAIN SYSTEM

FEATURES

- Fully assembled at the factory for simple installation.
- Capable of running dry without damage to components.
- Severe rated oil and water resistant power cable.

ASSEMBLED COMPONENTS

- Pump: ST31AV, 1/3 HP, 1/2" solids handling sump pump with built-in Vertical Master® vertical level switch.
- Structural foam, 10 gallon basin and cover with built-in threaded inlet, vent and discharge connections for simple installation.
- Cord grommet for power cord sealing.

AGENCY LISTINGS



Tested to UL 778 and CSA 22.2 108 Standards
By Canadian Standards Association
File #LR38549

APPLICATIONS

Specially designed for the following uses:

- Laundry tray
- Wet bar sink
- Air conditioning or dehumidifier condensate
- Residential dishwashers
- Beautician sink

SPECIFICATIONS

Pump:

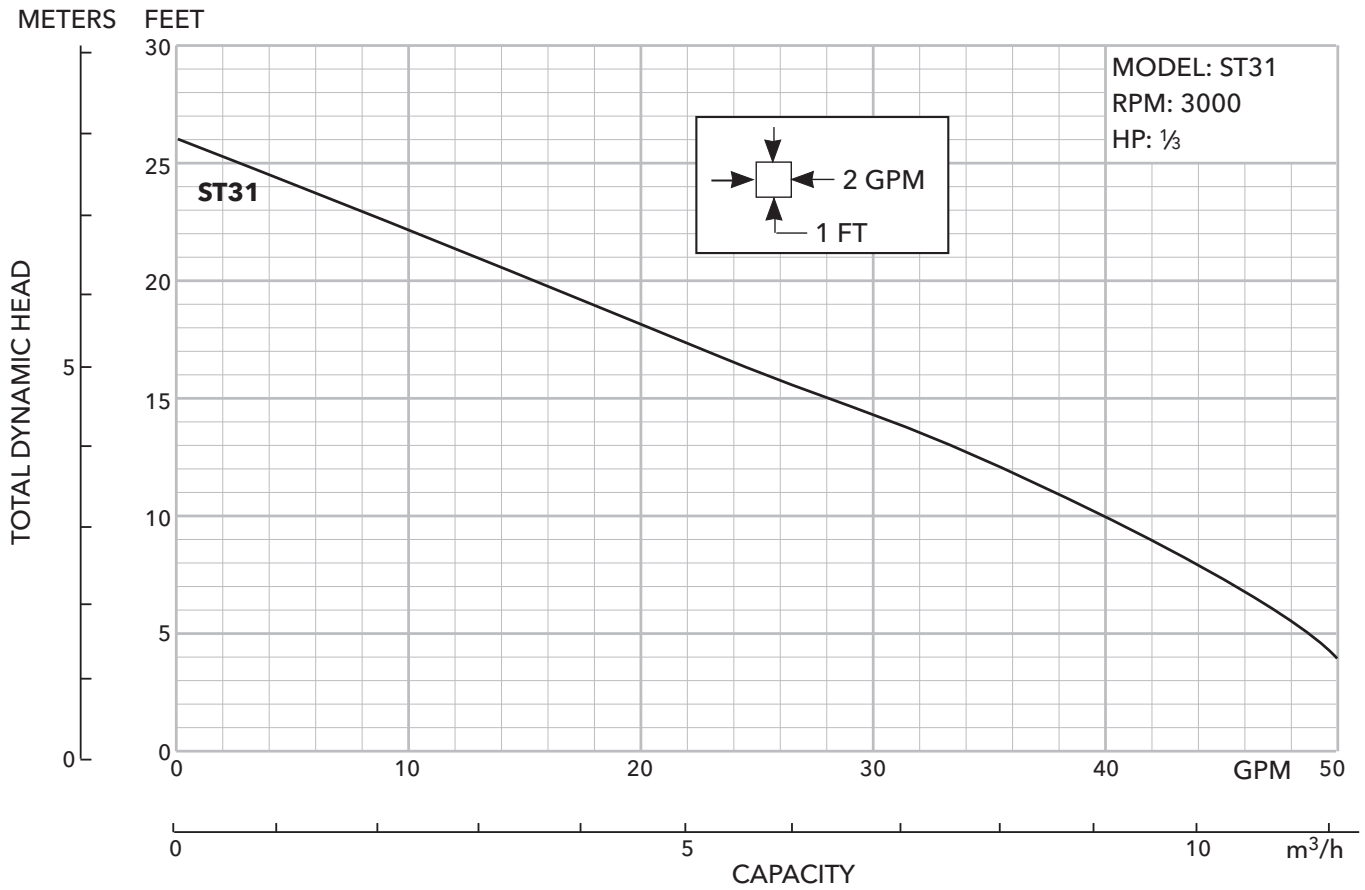
- Maximum solid size: 1/2"
- Discharge Size: 1 1/2" NPT Thread
- Maximum capacity: 50 GPM
- Maximum Total Head: 26 feet
- Stainless steel fasteners
- Power cord: 10' long with NEMA three prong grounding plug.

Motor:

- HP: .33, Volts: 115, 1Ø
- Hertz: 60
- RPM: 3000
- Maximum amps: 12.0
- Maximum ambient temperature: 104° F (40° C) continuous duty.
- Rated for continuous duty when fully submerged.
- Insulation: Class B
- Overload Protection: On-winding, automatic reset, thermal overloads.

Basin:

- 10 gallon structural foam basin.
- Dimensions: 17" diameter x 13 7/8" high.
- 1 1/2" NPT threaded vent, discharge and inlet connections.
- 1 1/2" schedule 40 PVC discharge pipe (internal).

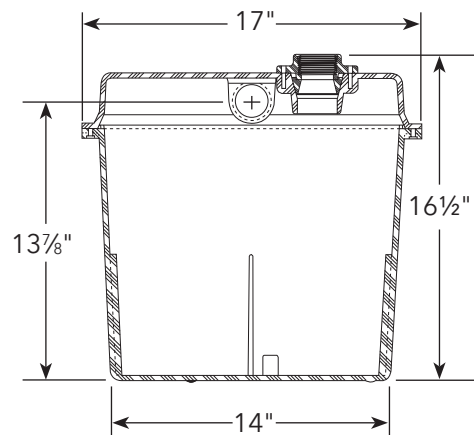


PERFORMANCE RATINGS

Total Head (feet of water)	GPM	GPH
4	50	3,000
10	40	2,340
15	28	1,680
20	15	900

DIMENSIONS

(All dimensions are in inches. Do not use for construction purposes.)



Xylem |'zīləm|

- 1) The tissue in plants that brings water upward from the roots;
- 2) a leading global water technology company.

We're 12,500 people unified in a common purpose: creating innovative solutions to meet our world's water needs. Developing new technologies that will improve the way water is used, conserved, and re-used in the future is central to our work. We move, treat, analyze, and return water to the environment, and we help people use water efficiently, in their homes, buildings, factories and farms. In more than 150 countries, we have strong, long-standing relationships with customers who know us for our powerful combination of leading product brands and applications expertise, backed by a legacy of innovation.

For more information on how Xylem can help you, go to www.xylem.com



Xylem, Inc.
2881 East Bayard Street Ext., Suite A
Seneca Falls, NY 13148
Phone: (866) 325-4210
Fax: (888) 322-5877
www.xylem.com/brands/gouldswatertechnology

Goulds is a registered trademark of Goulds Pumps, Inc. and is used under license.
Vertical Master is a registered trademark of SJE Rhombus.

© 2012 Xylem Inc. BSDSST March 2012