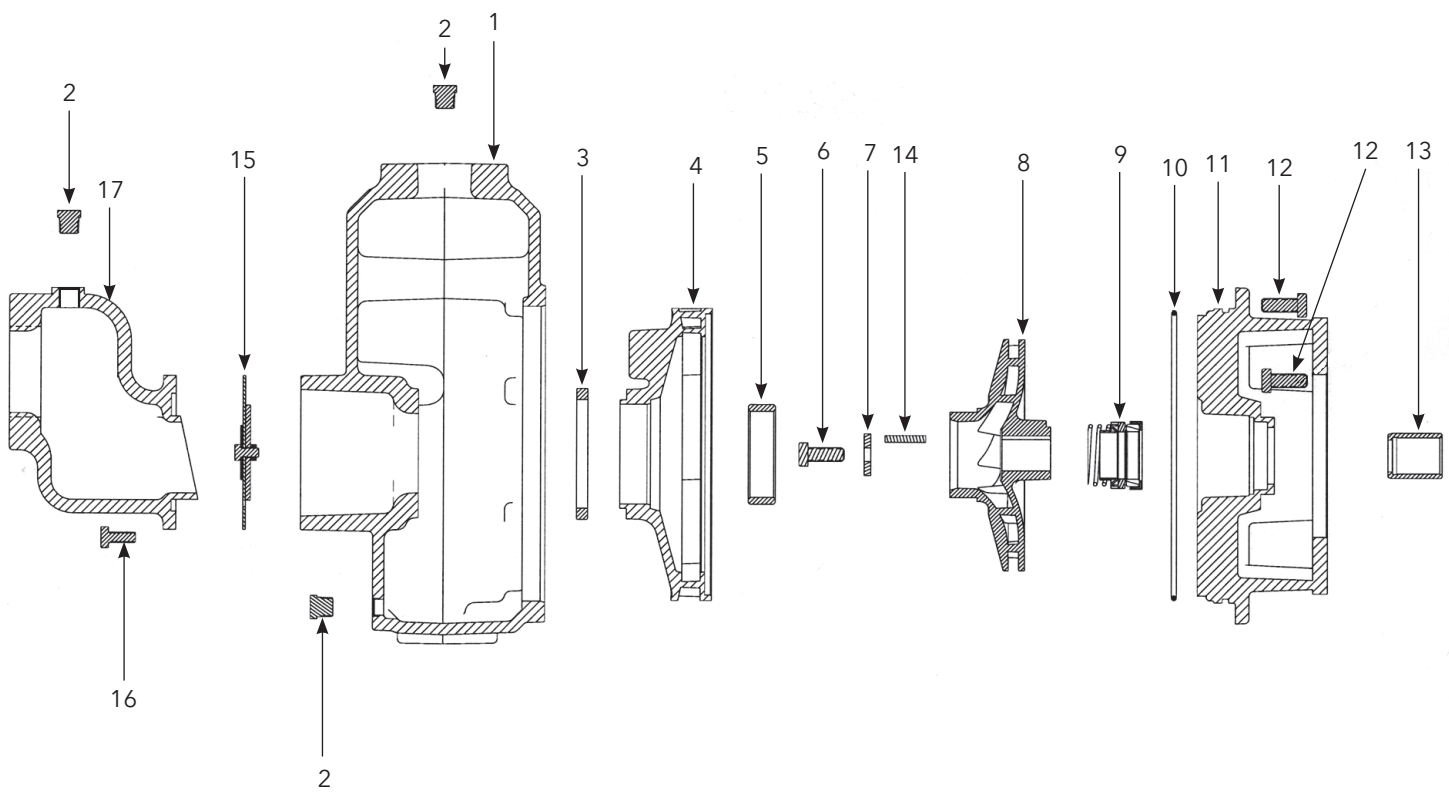


Prime Line[®] SP

REPAIR PARTS



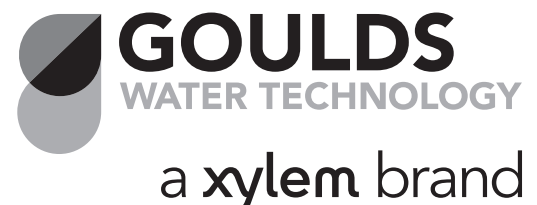
Location	Description	Repair Part	Quantity
1	Case 1½" NPT	1K502	1
	Case 2" NPT	1K503	
	Case 2½" NPT	1K504	
2	Pipe Plug ¼" NPT	Suction Flange	1
		Case	2
3	Diffuser Seal Ring	5K380	1
4	Diffuser - High Head	3K77	1
	Diffuser - Medium Head	3K78	
5	Casing Wear Ring	4K68	1
6	Impeller Screw	13K43	1
7	Impeller Washer	13L39	1
8	Impeller - High Head	5 HP	1
		3 HP	
	Impeller - Medium Head	5 HP	
		3 HP	
9	Mechanical Seal	10K13	1
10	O-Ring	5K74	1
11	Motor Adapter - 140/180 FR	1K114	1
12	Hex Head Cap Screw .38 - 16 UNC .88 Lg	Case	8
		Motor	4
13	Shaft Sleeve	4K66	1
14	Key - Square End	4K11	1
15	Check Valve Assembly	15K55	1
16	Hex Head Cap Screw .31 - 18 UNC .75 Lg	13K108	4
17	Suction Flange	1" NPT	1
		2½" NPT	
		3" NPT	

Xylem Inc.

2881 East Bayard Street Ext., Suite A, Seneca Falls, NY 13148

Phone: (800) 453-6777 Fax: (888) 322-5877

www.xylem.com/brands/gouldswatertechnology



Goulds is a registered trademark of Goulds Pumps, Inc. and is used under license.

© 2012 Xylem Inc. RSPMSPH March 2012