



TYPE "B" SINGLE STAGE  
CENTRIFUGAL PUMP  
Bearing Frame Mount

|                    |                 |
|--------------------|-----------------|
| Section            | FM              |
| Page               | 140.1           |
| Date               | January 1, 2004 |
| Supersedes 12/1/95 |                 |

CAST IRON IMPELLER

B3ERBL

Threaded Case (NPT)

Packing Construction

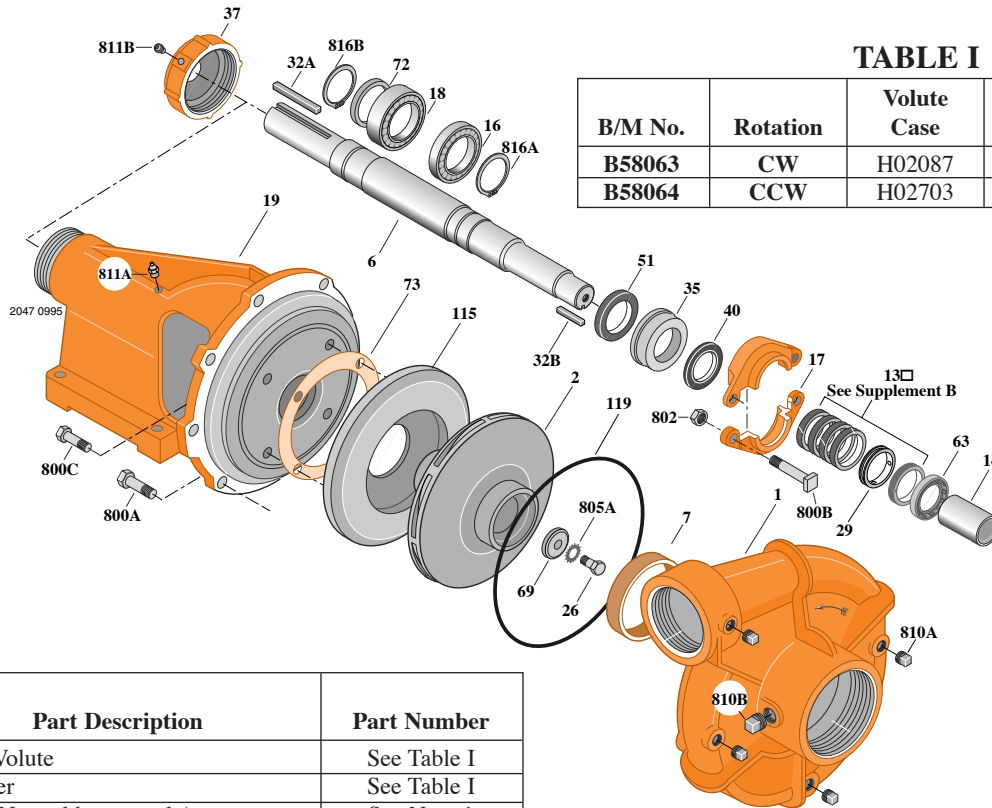


TABLE I

| B/M No. | Rotation | Volute Case | Impeller | Impeller Diameter |
|---------|----------|-------------|----------|-------------------|
| B58063  | CW       | H02087      | M07318   | 10.44"            |
| B58064  | CCW      | H02703      | M07319   | 10.44"            |

| Item No. | Part Description                      | Part Number |
|----------|---------------------------------------|-------------|
| 1        | Case, Volute                          | See Table I |
| 2        | Impeller                              | See Table I |
| 6        | Shaft (Not sold separately)           | See Note 1  |
| 7        | Ring, Wearing                         | S06860      |
| 13       | Ring, Packing (Set of 4)              | S13436      |
| 14       | Sleeve, Shaft                         | S05974      |
| 16       | Bearing, Ball                         | S13395      |
| 17       | Gland, Packing                        | B82472      |
| 18       | Bearing, Ball                         | S13754      |
| 19       | Frame                                 | H01941      |
| 26       | Screw, Impeller 1/2-13x1-1/2"         | S23623      |
| 29       | Ring, Lantern                         | S18993      |
| 32A      | Key, 1/2x4"                           | S24214      |
| 32B      | Key, 1/4-1-1/2"                       | S23505      |
| 35       | Inner Bearing Cap                     | S13213      |
| 37       | Outer Bearing Cap                     | M04551      |
| 40       | Slinger, Water                        | S10964      |
| 51       | Seal, Oil                             | S14764      |
| 63       | Bushing, Throat                       | S14122      |
| 69       | Washer, Impeller                      | S18117      |
| 72       | Ring, Thrust                          | S19221      |
| 73       | Gasket, Balance Ring                  | S09943      |
| 115      | Ring, Balance                         | L03648      |
| 119      | O-Ring                                | S13760      |
| 800A     | Capscrew, Hex 1/2-13x1-1/4" (8 Req.)  | S26914      |
| 800B     | Bolt, Sq. Head 1/2-13x2-1/2" (2 Req.) | S23793      |
| 800C     | Capscrew, Hex 3/8-16x1" (4 Req.)      | S26826      |

| Item No. | Part Description               | Part Number |
|----------|--------------------------------|-------------|
| 802      | Nut, Hex 1/2-13x7/16" (2 Req.) | S23347      |
| 805A     | Washer, Lock                   | S23038      |
| 810A     | Plug, Pipe 1/4 NPT (4 Req.)    | S23715      |
| 810B     | Plug, Pipe 1/2 NPT             | S23717      |
| 811A     | Fitting, Grease                | S23670      |
| 811B     | Fitting, Grease (3 Req.)       | S23700      |
| 816A     | Ring, Retaining                | S23016      |
| 816B     | Ring, Retaining                | S23017      |
| •        | Screw, Set                     | S23982      |

• Not illustrated (Outer Bearing Cap)

- Shaft Replacement Kit** available for this model. Berkeley part number **B60659**. Pump Shaft sold in shaft replacement kit only.



TYPE "B" SINGLE STAGE  
CENTRIFUGAL PUMP  
Bearing Frame Mount

|                    |                 |
|--------------------|-----------------|
| Section            | FM              |
| Page               | 140.2           |
| Date               | January 1, 2004 |
| Supersedes 12/1/95 |                 |

CAST IRON IMPELLER

B3ERBLS

Threaded Case (NPT)

Mechanical Seal Construction

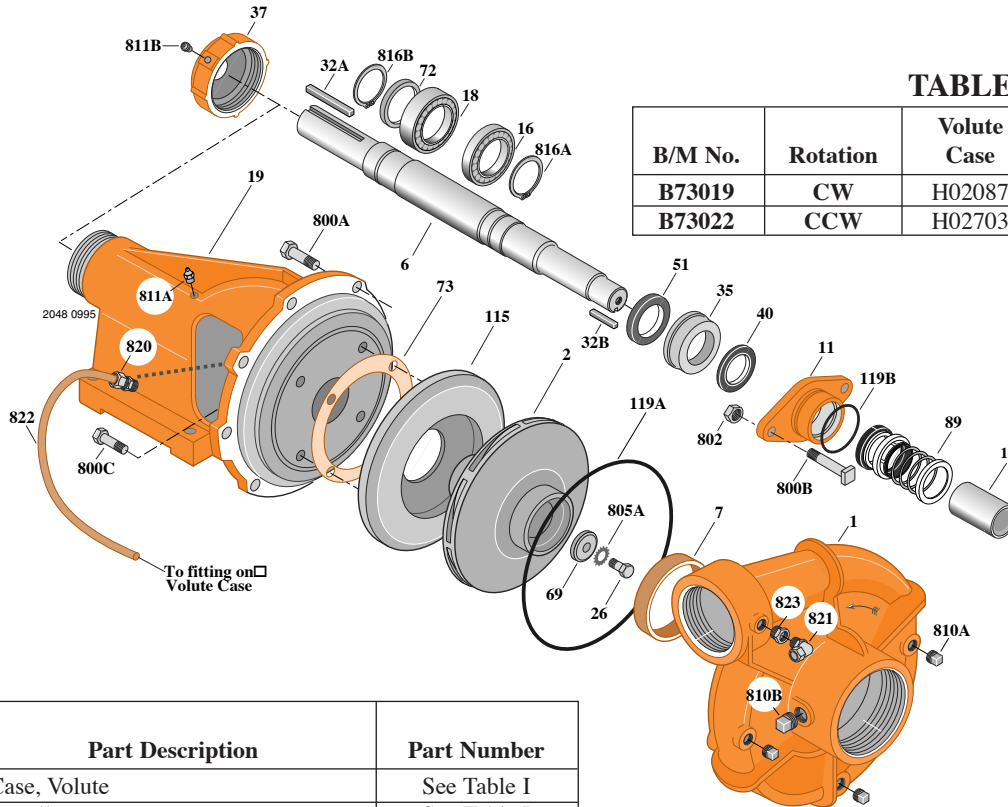


TABLE I

| B/M No. | Rotation | Volute Case | Impeller | Impeller Diameter |
|---------|----------|-------------|----------|-------------------|
| B73019  | CW       | H02087      | M07318   | 10.44"            |
| B73022  | CCW      | H02703      | M07319   | 10.44"            |

| Item No. | Part Description                      | Part Number |
|----------|---------------------------------------|-------------|
| 1        | Case, Volute                          | See Table I |
| 2        | Impeller                              | See Table I |
| 6        | Shaft (Not sold separately)           | See Note 1  |
| 7        | Ring, Wearing                         | M10838      |
| 11       | Retainer, Mechanical Shaft Seal       | S11452      |
| 14       | Sleeve, Shaft                         | S05974      |
| 16       | Bearing, Ball                         | S13395      |
| 18       | Bearing, Ball                         | S13754      |
| 19       | Frame                                 | H05508      |
| 26       | Screw, Impeller 1/2-13x1-1/2"         | S23623      |
| 32A      | Key, 1/2x4"                           | S24214      |
| 32B      | Key, 1/4x1-1/2"                       | S24170      |
| 35       | Inner Bearing Cap                     | S13213      |
| 37       | Outer Bearing Cap                     | M04551      |
| 40       | Slinger, Water                        | S10964      |
| 51       | Seal, Oil                             | S14764      |
| 69       | Washer, Impeller                      | S18117      |
| 72       | Ring, Thrust                          | S19221      |
| 73       | Gasket, Balance Ring                  | S09943      |
| 89       | Seal, Mechanical Shaft                | S32693      |
| 115      | Ring, Balance                         | L03648      |
| 119A     | O-Ring                                | S13760      |
| 119B     | O-Ring                                | S24599      |
| 800A     | Capscrew, Hex 1/2-13x1-1/4" (8 Req.)  | S26914      |
| 800B     | Bolt, Sq. Head 1/2-13x2-1/4" (2 Req.) | S23792      |
| 800C     | Capscrew, Hex 3/8-16x1" (4 Req.)      | S26826      |
| 802      | Nut, Hex 1/2-13x7/16" (2 Req.)        | S23347      |

| Item No. | Part Description            | Part Number |
|----------|-----------------------------|-------------|
| 805A     | Washer, Lock                | S23038      |
| 810A     | Plug, Pipe 1/4 NPT (3 Req.) | S23715      |
| 810B     | Plug, Pipe 1/2 NPT          | S23717      |
| 811A     | Fitting, Grease             | S23670      |
| 811B     | Fitting, Grease (2 Req.)    | S23700      |
| 816A     | Ring, Retaining             | S23016      |
| 816B     | Ring, Retaining             | S23017      |
| 820      | Connector, Comp. Fitting    | S24013      |
| 821      | Elbow, Comp. Fitting        | S24128      |
| 822      | Tubing, Copper              | S20677      |
| 823      | Bushing, Pipe               | S24600      |
| •        | Screw, Set                  | S23982      |

• Not illustrated (Outer Bearing Cap).

1. **Shaft Replacement Kit** available for this model. Berkeley part number **B60659**. Pump Shaft sold in shaft replacement kit only.



TYPE "B" SINGLE STAGE  
CENTRIFUGAL PUMP  
Bearing Frame Mount

|                |                 |
|----------------|-----------------|
| Section        | FM              |
| Page           | 140.3           |
| Date           | January 1, 2004 |
| Supersedes/New |                 |

**BRONZE IMPELLER**

**B3ERBLS**

Threaded Case (NPT)

Mechanical Seal Construction

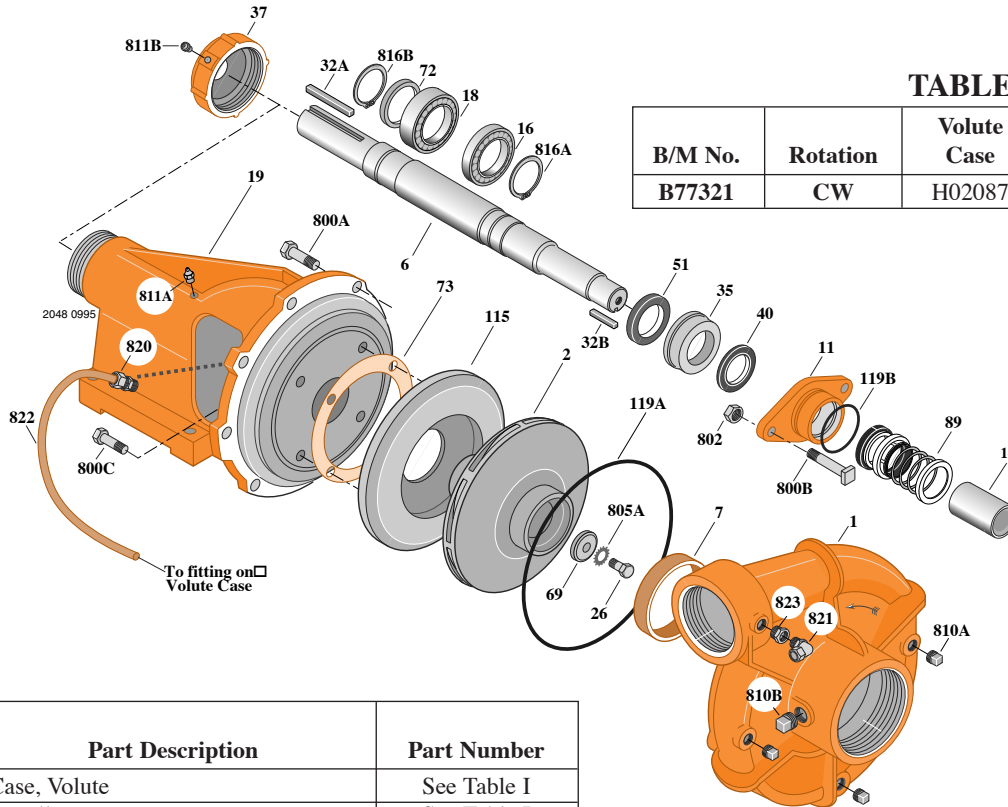


TABLE I

| B/M No. | Rotation | Volute Case | Impeller | Impeller Diameter |
|---------|----------|-------------|----------|-------------------|
| B77321  | CW       | H02087      | M06675   | 10.44"            |

| Item No. | Part Description                      | Part Number |
|----------|---------------------------------------|-------------|
| 1        | Case, Volute                          | See Table I |
| 2        | Impeller                              | See Table I |
| 6        | Shaft (Not sold separately)           | See Note 1  |
| 7        | Ring, Wearing                         | M10838      |
| 11       | Retainer, Mechanical Shaft Seal       | S11452      |
| 14       | Sleeve, Shaft                         | S05974      |
| 16       | Bearing, Ball                         | S13395      |
| 18       | Bearing, Ball                         | S13754      |
| 19       | Frame                                 | H05508      |
| 26       | Screw, Impeller 1/2-13x1-1/2"         | S23623      |
| 32A      | Key, 1/2x4"                           | S24214      |
| 32B      | Key, 1/4x1-1/2"                       | S24170      |
| 35       | Inner Bearing Cap                     | S13213      |
| 37       | Outer Bearing Cap                     | M04551      |
| 40       | Slinger, Water                        | S10964      |
| 51       | Seal, Oil                             | S14764      |
| 69       | Washer, Impeller                      | S18117      |
| 72       | Ring, Thrust                          | S19221      |
| 73       | Gasket, Balance Ring                  | S09943      |
| 89       | Seal, Mechanical Shaft                | S32693      |
| 115      | Ring, Balance                         | L03648      |
| 119A     | O-Ring                                | S13760      |
| 119B     | O-Ring                                | S24599      |
| 800A     | Capscrew, Hex 1/2-13x1-1/4" (8 Req.)  | S26914      |
| 800B     | Bolt, Sq. Head 1/2-13x2-1/4" (2 Req.) | S23792      |
| 800C     | Capscrew, Hex 3/8-16x1" (4 Req.)      | S26826      |
| 802      | Nut, Hex 1/2-13x7/16" (2 Req.)        | S23347      |

| Item No. | Part Description            | Part Number |
|----------|-----------------------------|-------------|
| 805A     | Washer, Lock                | S23038      |
| 810A     | Plug, Pipe 1/4 NPT (3 Req.) | S23715      |
| 810B     | Plug, Pipe 1/2 NPT          | S23717      |
| 811A     | Fitting, Grease             | S23670      |
| 811B     | Fitting, Grease (2 Req.)    | S23700      |
| 816A     | Ring, Retaining             | S23016      |
| 816B     | Ring, Retaining             | S23017      |
| 820      | Connector, Comp. Fitting    | S24013      |
| 821      | Elbow, Comp. Fitting        | S24128      |
| 822      | Tubing, Copper              | S20677      |
| 823      | Bushing, Pipe               | S24600      |
| •        | Screw, Set                  | S23982      |

• Not illustrated (Outer Bearing Cap).

1. **Shaft Replacement Kit** available for this model. Berkeley part number **B60659**. Pump Shaft sold in shaft replacement kit only.



TYPE "B" SINGLE STAGE  
CENTRIFUGAL PUMP  
Bearing Frame Mount

|                    |                 |
|--------------------|-----------------|
| Section            | FM              |
| Page               | 150.1           |
| Date               | January 1, 2004 |
| Supersedes 12/1/95 |                 |

CAST IRON IMPELLER

B3ERM

Threaded Case (NPT)

Packing Construction

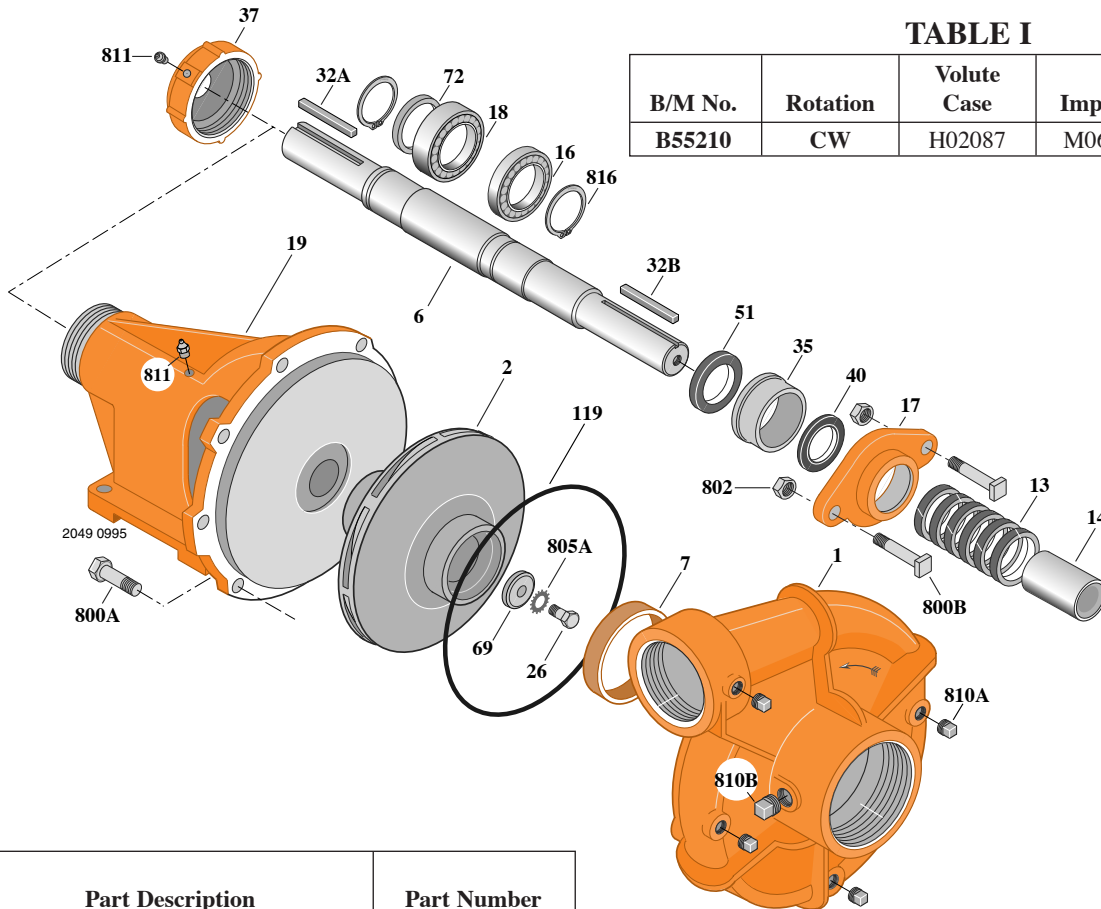


TABLE I

| B/M No. | Rotation | Volute Case | Impeller | Impeller Diameter |
|---------|----------|-------------|----------|-------------------|
| B55210  | CW       | H02087      | M06903   | 10.44"            |

| Item No. | Part Description              | Part Number |
|----------|-------------------------------|-------------|
| 1        | Case, Volute                  | See Table I |
| 2        | Impeller                      | See Table I |
| 6        | Shaft (Not sold separately)   | See Note 2  |
| 7        | Ring, Wearing                 | S13045      |
| 13       | Ring, Packing (Set of 6)      | S14022      |
| 14       | Sleeve, Shaft                 | S05127      |
| 16       | Bearing, Ball                 | S29895      |
| 17       | Gland, Packing (See Note 1)   | S04948      |
| 18       | Bearing, Ball                 | S13271      |
| 19       | Frame                         | H02089      |
| 26       | Screw, Impeller 3/8-16x1-1/4" | S23568      |
| 32A      | Key, 1/4x2-1/8"               | S24255      |
| 32B      | Key, 3/16x1-1/2"              | S23500      |
| 35       | Inner Bearing Cap             | S13214      |
| 37       | Outer Bearing Cap             | S29308      |
| 40       | Slinger, Water                | M09685      |
| 51       | Seal, Oil                     | S14763      |
| 69       | Washer, Impeller              | S06314      |
| 72       | Ring, Thrust                  | S29218      |
| 119      | O-Ring                        | S13760      |

| Item No. | Part Description                      | Part Number |
|----------|---------------------------------------|-------------|
| 800A     | Capscrew, Hex 1/2-13x1-1/4" (8 Req.)  | S26914      |
| 800B     | Bolt, Sq. Head 3/8-16x2-1/2" (2 Req.) | S23762      |
| 802      | Nut, Hex 3/8-16 (2 Req.)              | S23343      |
| 805A     | Washer, Lock                          | S23036      |
| 810A     | Plug, Pipe 1/4 NPT (4 Req.)           | S23715      |
| 810B     | Plug, Pipe 1/2 NPT                    | S23717      |
| 811      | Fitting, Grease (3 Req.)              | S23670      |
| 816      | Ring, Retaining (2 Req.)              | S23010      |

1. A two piece (split) stainless steel packing gland is available for replacement, order part number **B82468**.
2. **Shaft Replacement Kit** available for this model. Berkeley part number **B60633**. Pump Shaft sold in shaft replacement kit only.



TYPE "B" SINGLE STAGE  
CENTRIFUGAL PUMP  
Bearing Frame Mount

|                    |                 |
|--------------------|-----------------|
| Section            | FM              |
| Page               | 150.2           |
| Date               | January 1, 2004 |
| Supersedes 12/1/95 |                 |

CAST IRON IMPELLER

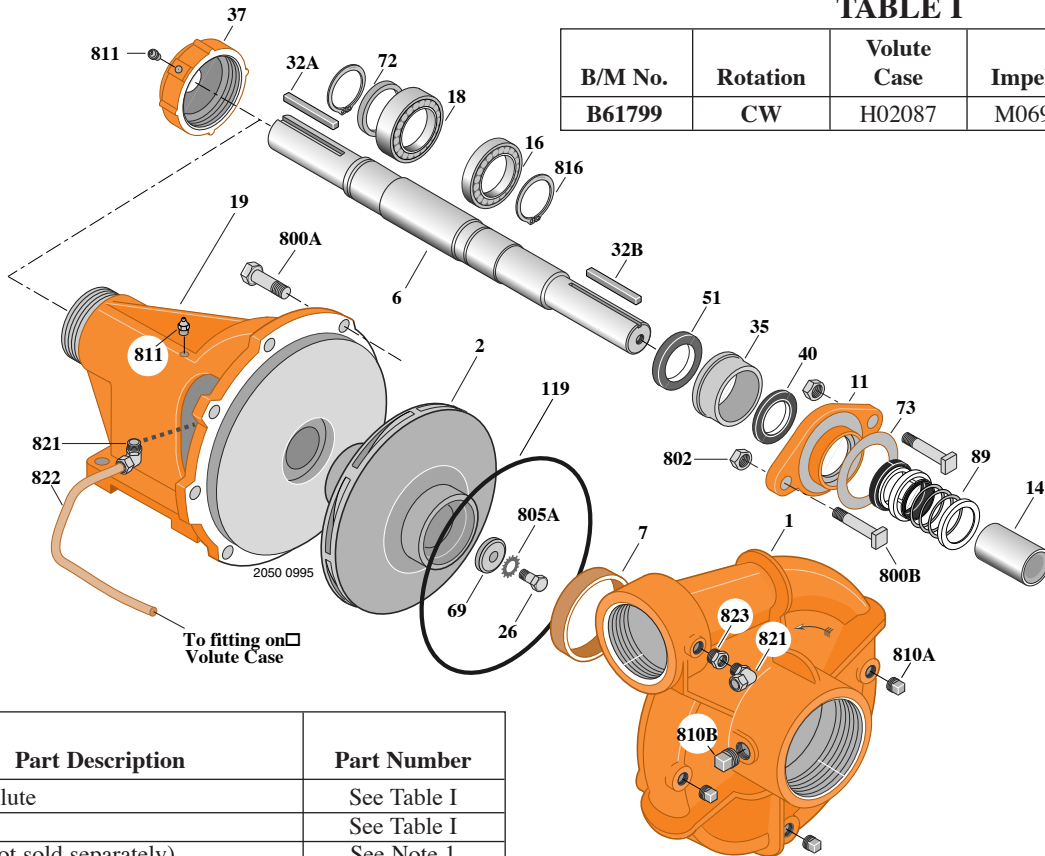
B3ERMS

Threaded Case (NPT)

Mechanical Seal Construction

TABLE I

| B/M No. | Rotation | Volute Case | Impeller | Impeller Diameter |
|---------|----------|-------------|----------|-------------------|
| B61799  | CW       | H02087      | M06903   | 10.44"            |



| Item No. | Part Description                      | Part Number |
|----------|---------------------------------------|-------------|
| 1        | Case, Volute                          | See Table I |
| 2        | Impeller                              | See Table I |
| 6        | Shaft (Not sold separately)           | See Note 1  |
| 7        | Ring, Wearing                         | S13045      |
| 11       | Retainer, Mechanical Shaft Seal       | S05993      |
| 14       | Sleeve, Shaft                         | S05127      |
| 16       | Bearing, Ball                         | S29895      |
| 18       | Bearing, Ball                         | S13271      |
| 19       | Frame                                 | H03960      |
| 26       | Screw, Impeller 3/8-16x1-1/4"         | S23568      |
| 32A      | Key, 1/4x2-1/8"                       | S24255      |
| 32B      | Key, 3/16x1-1/2"                      | S23500      |
| 35       | Inner Bearing Cap                     | S13214      |
| 37       | Outer Bearing Cap                     | S29308      |
| 40       | Slinger, Water                        | M09685      |
| 51       | Seal, Oil                             | S14763      |
| 69       | Washer, Impeller                      | S06314      |
| 72       | Ring, Thrust                          | S29218      |
| 73       | Gasket, Seal Retainer                 | S08911      |
| 89       | Seal, Mechanical Shaft Seal           | S32689      |
| 119      | O-Ring                                | S13760      |
| 800A     | Capscrew, Hex 1/2-13x1-1/4" (8 Req.)  | S26914      |
| 800B     | Bolt, Sq. Head 3/8-16x1-1/2" (2 Req.) | S23762      |
| 802      | Nut, Hex 3/8-16 (2 Req.)              | S23343      |

| Item No. | Part Description              | Part Number |
|----------|-------------------------------|-------------|
| 805A     | Washer, Lock                  | S23036      |
| 810A     | Plug, Pipe 1/4 NPT (5 Req.)   | S23715      |
| 810B     | Plug, Pipe 1/2 NPT            | S23717      |
| 811      | Fitting, Grease (3 Req.)      | S23670      |
| 816      | Ring, Retaining (2 Req.)      | S23010      |
| 821      | Elbow, Comp. Fitting (2 Req.) | S24128      |
| 822      | Tubing, Copper                | S20677      |
| 823      | Bushing, Pipe                 | S24600      |

1. **Shaft Replacement Kit** available for this model. Berkeley part number **B60633**. Pump Shaft sold in shaft replacement kit only.



TYPE "B" SINGLE STAGE  
CENTRIFUGAL PUMP  
Bearing Frame Mount

|                    |                 |
|--------------------|-----------------|
| Section            | FM              |
| Page               | 160.1           |
| Date               | January 1, 2004 |
| Supersedes 12/1/95 |                 |

CAST IRON IMPELLER

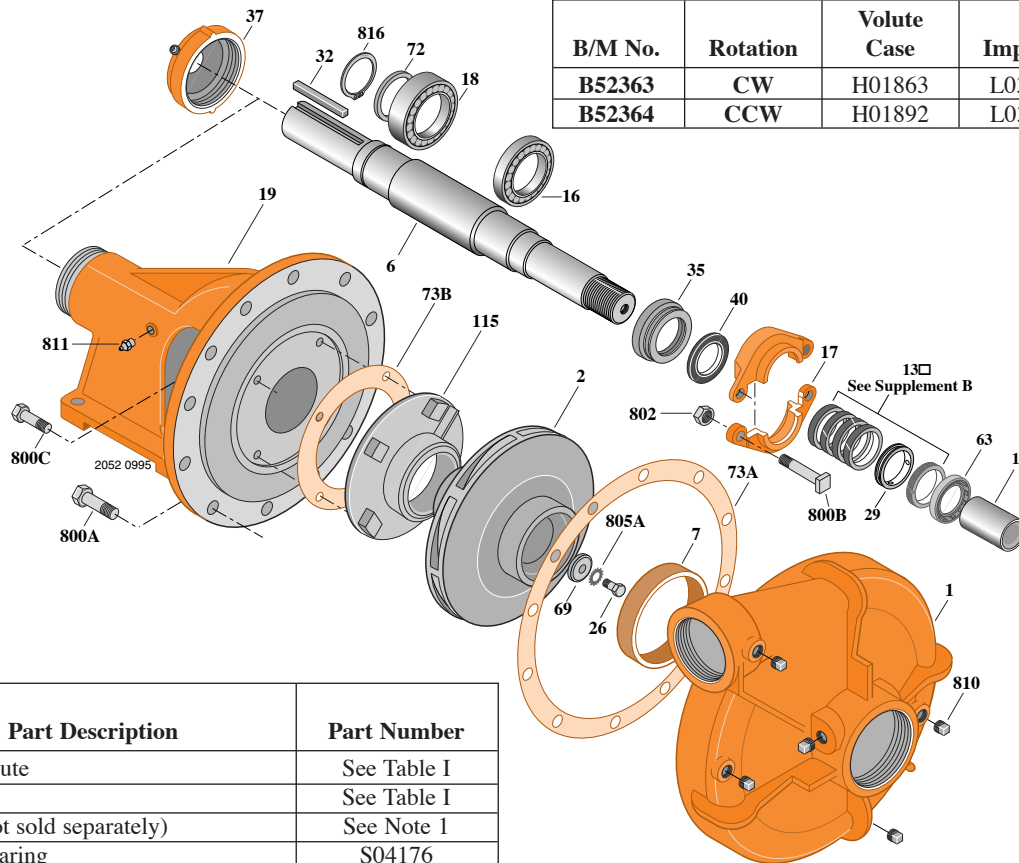
B3JRMBM

Threaded Case (NPT)

Packing Construction

TABLE I

| B/M No. | Rotation | Volute Case | Impeller | Impeller Diameter |
|---------|----------|-------------|----------|-------------------|
| B52363  | CW       | H01863      | L03038   | 13.50"            |
| B52364  | CCW      | H01892      | L03115   | 13.50"            |



| Item No. | Part Description              | Part Number |
|----------|-------------------------------|-------------|
| 1        | Case, Volute                  | See Table I |
| 2        | Impeller                      | See Table I |
| 6        | Shaft (Not sold separately)   | See Note 1  |
| 7        | Ring, Wearing                 | S04176      |
| 13       | Ring, Packing (Set of 4)      | S13436      |
| 14       | Sleeve, Shaft                 | S05974      |
| 16       | Bearing, Ball                 | S15604      |
| 17       | Gland, Packing                | B82472      |
| 18       | Bearing, Ball                 | S13396      |
| 19       | Frame                         | H01599      |
| 26       | Screw, Impeller 1/2-13x1-1/2" | S23623      |
| 29       | Ring, Lantern                 | S18993      |
| 32       | Key, 1/2x4"                   | S24214      |
| 35       | Inner Bearing Cap             | S05928      |
| 37       | Outer Bearing Cap Assembly*   | S35277      |
| 40       | Slinger, Water                | S10964      |
| 63       | Bushing, Throat               | S18992      |
| 69       | Washer, Impeller              | S06319      |
| 72       | Ring, Thrust                  | S06519      |
| 73A      | Gasket, Volute                | S06271      |
| 73B      | Gasket, Balance Ring          | S09943      |
| 115      | Ring, Balance                 | M05115      |

| Item No. | Part Description                      | Part Number |
|----------|---------------------------------------|-------------|
| 800A     | Capscrew, Hex 5/8x11x1-1/2" (12 Req.) | S26999      |
| 800B     | Bolt, Sq. Head 1/2-13x2-3/4" (2 Req.) | S23794      |
| 800C     | Capscrew, Hex 3/8-16x1" (4 Req.)      | S26826      |
| 802      | Nut, Hex 1/2-13x7/16" (2 Req.)        | S23347      |
| 805A     | Washer, Lock                          | S23038      |
| 810      | Plug, Pipe 1/2 NPT (6 Req.)           | S23717      |
| 811      | Fitting, Grease (2 Req.)              | S23670      |
| 816      | Ring, Retaining                       | S23016      |

- Shaft Replacement Kit** available for this model. Berkeley part number **B07596** for CW, **B07597** for CCW. Pump Shaft sold in shaft replacement kit only.

\* Includes grease fitting.