

# **BALDOR**® • **RELIANCE**

## **Product Information Packet**

### **AEM3787-4**

**5HP,1760RPM,3PH,60HZ,215,0728M,TEFC,F1,N**

Part Detail							
Revision:	P	Status:	PRD/A	Change #:		Proprietary:	No
Type:	AC	Prod. Type:	0728M	Elec. Spec:	07WGY968	CD Diagram:	CD0006
Enclosure:	TEFC	Mfg Plant:		Mech. Spec:	07G087	Layout:	07LYG087
Frame:	215	Mounting:	F1	Poles:	04	Created Date:	11-16-2012
Base:	RG	Rotation:	R	Insulation:	F	Eff. Date:	05-24-2016
Leads:	3#14					Replaced By:	
Literature:		Elec. Diagram:					

Nameplate NP1404E							
CAT.NO.	AEM3787-4						
SPEC.	07G087Y968G1						
VOLTS	460						
AMP	6.7						
RPM	1760	HP	5				
FRAME	215	HZ	60	PH	3		
SER.F.	1.00	CODE	J	DES	B	CL	F
NEMA-NOM-EFF	90.2	PF	77				
G.MIN.EFF	88.5	CC	010A				
RATING	65C AMB-CONT						
LUBRICATION	POLYREX EM						
DE	6307	ODE	6206				
ENCL	TEFC	SER. #					

Parts List		
Part Number	Description	Quantity
SA254423	SA 07G087Y968G1	1.000 EA
RA241230	RA 07G087Y968G1	1.000 EA
37FN3002C01	EXFN, PLASTIC, 6.00 OD, 1.155 ID	1.000 EA
HW3201A05	3/8-16 EYEBOLT	1.000 EA
09CB1002A05	CONDUIT BOX, 1.00 N.P.T.	1.000 EA
07GS1000SP	GASKET, CONDUIT BOX, .125 THICK BLACK NE	1.000 EA
51XF2520A16	SCREW,HEX SER SLT HD,ZN 1/4-20X1.00LG TD	2.000 EA
11XW1032G06	10-32 X .38, TAPTITE II, HEX WSHR SLTD U	1.000 EA
HW3001B01	BRASS CUP WASHER, FOR #8 SCREW	1.000 EA
37EP1100A55	FR ENDPLATE MACH	1.000 EA
HW4500A19	1/4-28X1/4 SLOTTED PLUG F/S	1.000 EA
HW4500A20	1/8NPT SL PIPE PLUG	1.000 EA
HA4054	SHORT T-DRAIN FITTING, .125" N.P.T.	1.000 EA
HW5100A06	W2420-025 WVY WSHR (WB)	1.000 EA
37EP1101A28	PU ENDPLATE MACH	1.000 EA
HW4500A19	1/4-28X1/4 SLOTTED PLUG F/S	1.000 EA
HW4500A20	1/8NPT SL PIPE PLUG	1.000 EA
HA4054	SHORT T-DRAIN FITTING, .125" N.P.T.	1.000 EA
HA3104A32	THRUBOLT- 5/16-18 X12.750	4.000 EA
XY3118A12	5/16-18 HEX NUT DIRECTIONAL SERRATION	4.000 EA
51XB1214A20	12-14X1.25 HXWSSLD SERTYB	1.000 EA
07FH4007	PRIMED	1.000 EA
WD4100A03	DE-750 HEYCO PLUG 62MP0750 MICRO PLASTIC	1.000 EA
51XW1032A06	10-32 X .38, TAPTITE II, HEX WSHR SLTD S	3.000 EA

Parts List (continued)		
Part Number	Description	Quantity
12CB1500A10	CONDUIT BOX LID, .31 MTG HOLES	1.000 EA
12GS1002	GASKET, CONDUIT BOX LID, NEOP	1.000 EA
10XN2520A24	1/4-20X 1 1/2 HEX HD X	2.000 EA
HA1005A02	SLINGER, OD 2.00, ID 1.14, 206 BRG,	1.000 EA
HA1005A07	SLINGER, OD 2.25, ID 1.344, 307 BRG	1.000 EA
HW2501E18	KEY, 1/4 SQ X 2.000	1.000 EA
HA7000A02	KEY RETAINER RING, 1 1/8 DIA, 1 3/8 DIA	1.000 EA
MJ5001A27	32220KN GRAY SEALER *MIN BUY 4 QTS=1GAL	0.001 QT
LB1115N	LABEL,LIFTING DEVICE (ON ROLLS)	1.000 EA
85XU0407S04	4X1/4 U DRIVE PIN STAINLESS	2.000 EA
WD1000B03	BURNDY YAV14 TERML (1M/PK)	6.000 EA
MJ1000A02	GREASE, POLYREX EM EXXON (USe 4824-15A)	0.050 LB
MG1025G02	WILKOFAS, 782.02, LIGHT GRAY	0.036 GA
LB1119N	WARNING LABEL	1.000 EA
LC0006	CONNECTION LABEL	1.000 EA
NP1404E	SS UL CSA CC "AUTOMOTIVE"	1.000 EA
07PA1011	PKG GRP, 07 CAST IRON PK1181	1.000 EA
10XL3808A28	3/8 X 1 3/4" LAG SCREW	2.000 EA
MN416A01	TAG-INSTAL-MAINT no wire (1200/bx) 11/14	1.000 EA

**AC Induction Motor Performance Data**

Record # 40471 - Typical performance - not guaranteed values

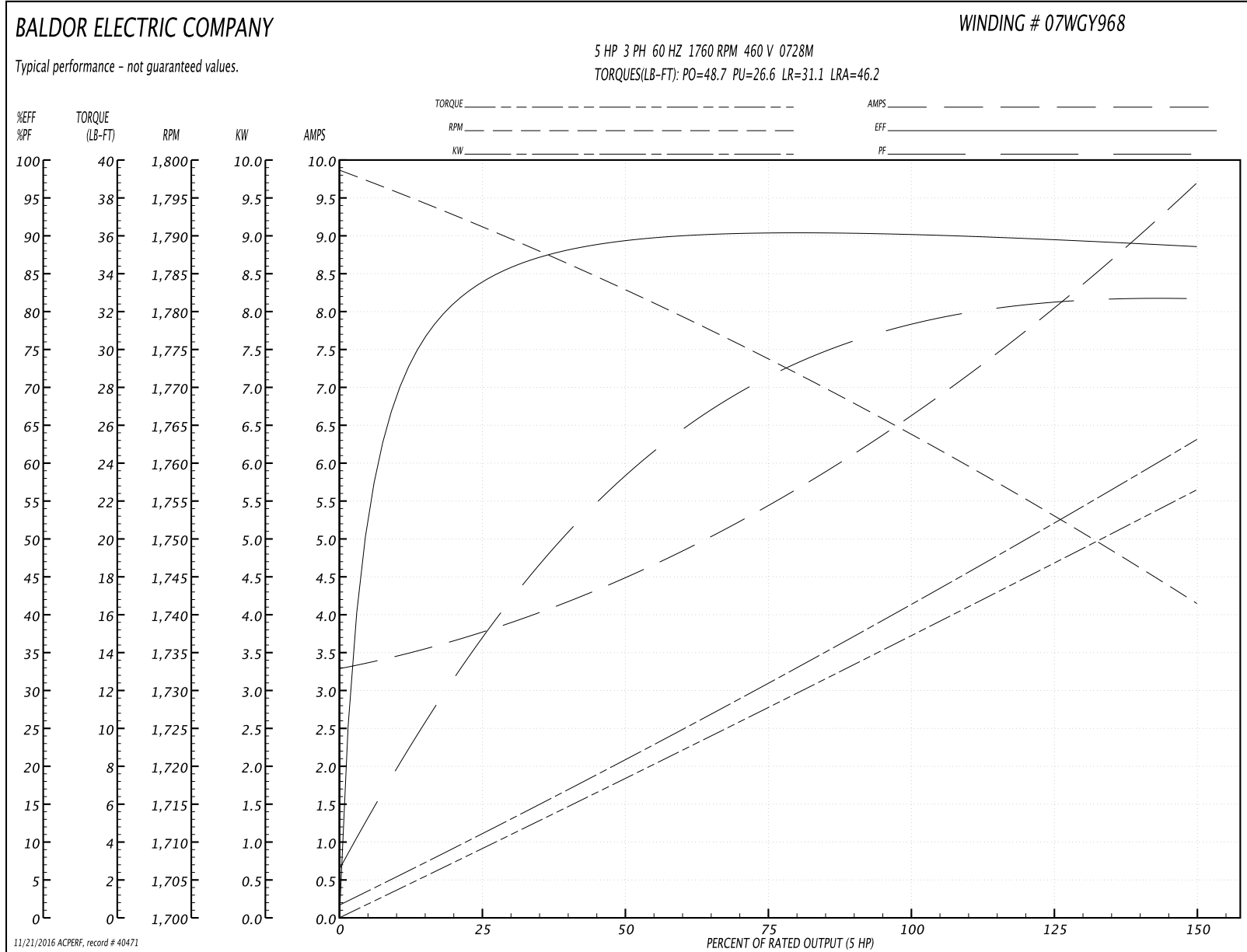
<b>Winding:</b> 07WGY968-R001	<b>Type:</b> 0728M	<b>Enclosure:</b> TEFC
-------------------------------	--------------------	------------------------

Nameplate Data				460 V, 60 Hz: Single Voltage Motor	
Rated Output (HP)	5			Full Load Torque	14.9 LB-FT
Volts	460			Start Configuration	direct on line
Full Load Amps	6.7			Breakdown Torque	48.7 LB-FT
R.P.M.	1760			Pull-up Torque	26.6 LB-FT
Hz	60	Phase	3	Locked-rotor Torque	31.1 LB-FT
NEMA Design Code	B	KVA Code	J	Starting Current	46.2 A
Service Factor (S.F.)	1			No-load Current	3.37 A
NEMA Nom. Eff.	90.2	Power Factor	77	Line-line Res. @ 25°C	2.14 Ω
Rating - Duty	65C AMB-CONT			Temp. Rise @ Rated Load	38°C
				Locked-rotor Power Factor	41
				Rotor inertia	0.689 LB-FT <sup>2</sup>

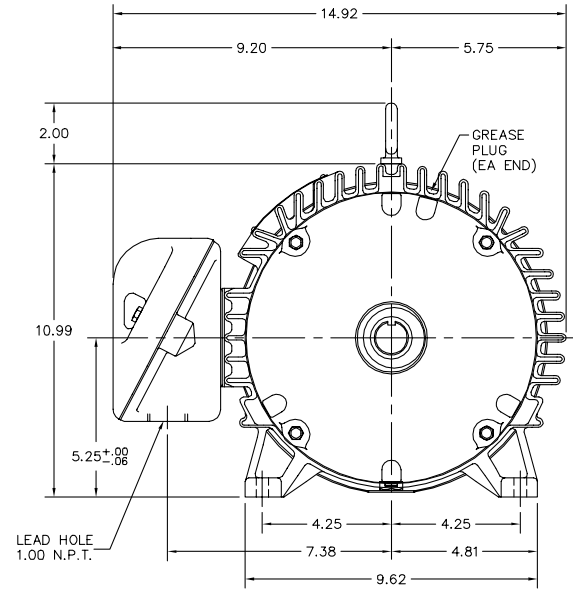
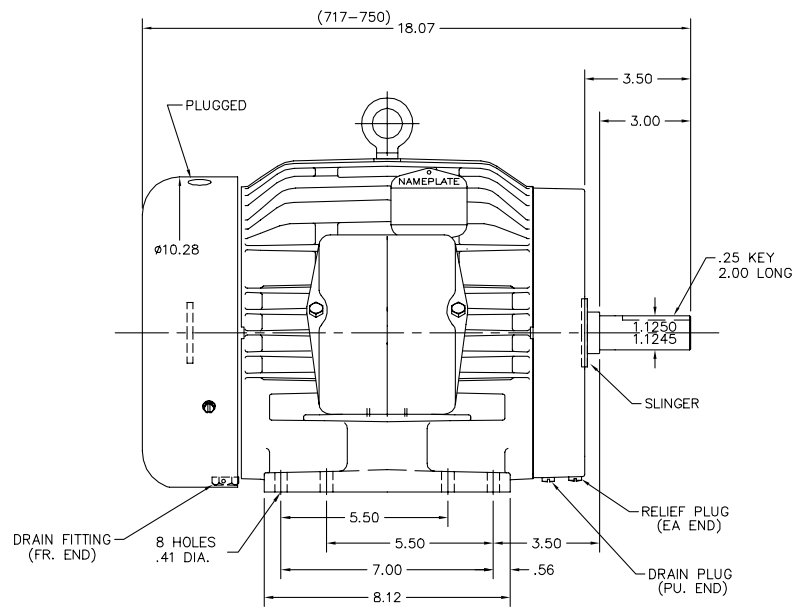
Load Characteristics 460 V, 60 Hz, 5 HP

% of Rated Load	25	50	75	100	125	150
Power Factor	38	60	71	77	80	82
Efficiency	83.8	89.5	90.4	90.2	89.5	88.6
Speed	1792	1783	1774	1763	1753	1742
Line amperes	3.69	4.42	5.45	6.7	8.08	9.62

Performance Graph at 460V, 60Hz, 5.0HP Typical performance - Not guaranteed values



07LYG087



CUSTOMER IS RESPONSIBLE FOR DETERMINING THAT BALDOR'S PRODUCT WILL PERFORM SUITABLY IN THE INTENDED APPLICATION.

REV. DESC: REMOVE GM AND REPLACE WITH AUTOMOTIVE	VERSION: 01	TDR: 000000920606
REV. LTR: H	REVISD: 09:37:16 04/17/2015	BY: ENALEMO
FILE: \AAA\00016\238		
MTL: -		

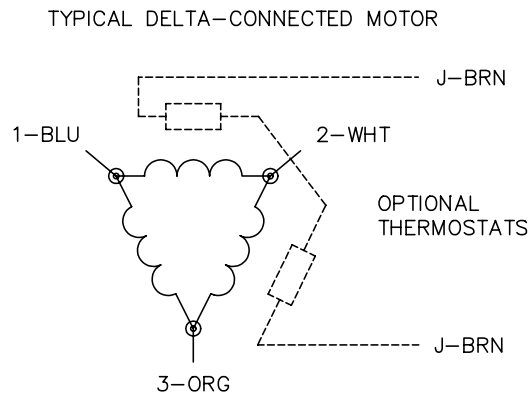
**BALDOR**

HORZ 213-5 TEFC 307M - AUTOMOTIVE SPECS  
SH 1 of 1

07LYG087



CD0006



NOTES:

1. THREE LEAD MOTOR MAY BE EITHER WYE CONNECTED OR DELTA CONNECTED.
2. INTERCHANGE ANY TWO LINE LEADS TO REVERSE ROTATION.
3. OPTIONAL THERMOSTATS ARE PROVIDED WHEN SPECIFIED.
4. ACTUAL NUMBER OF INTERNAL PARALLEL CIRCUITS MAY VARY.
5. LEAD COLORS ARE OPTIONAL. LEADS MUST BE NUMBERED AS SHOWN.

REV. DESC: REVISE TO SHOW OPTIONAL COLORS			
REV. LTR: D	BY: JLP	REVISED: 01/21/99 4:02	TDR: 0171435
9000D		FILE: AAA00005141	MDL: -
		MTL: -	

**BALDOR ELECTRIC Co.**

3PH, SV, 3 LEADS, WYE OR DELTA CONNECTED

CD0006