

BALDOR® • **RELIANCE**

Product Information Packet

AP232001

.04HP,1725RPM,DC,AP-0,2314P,TENV,F1

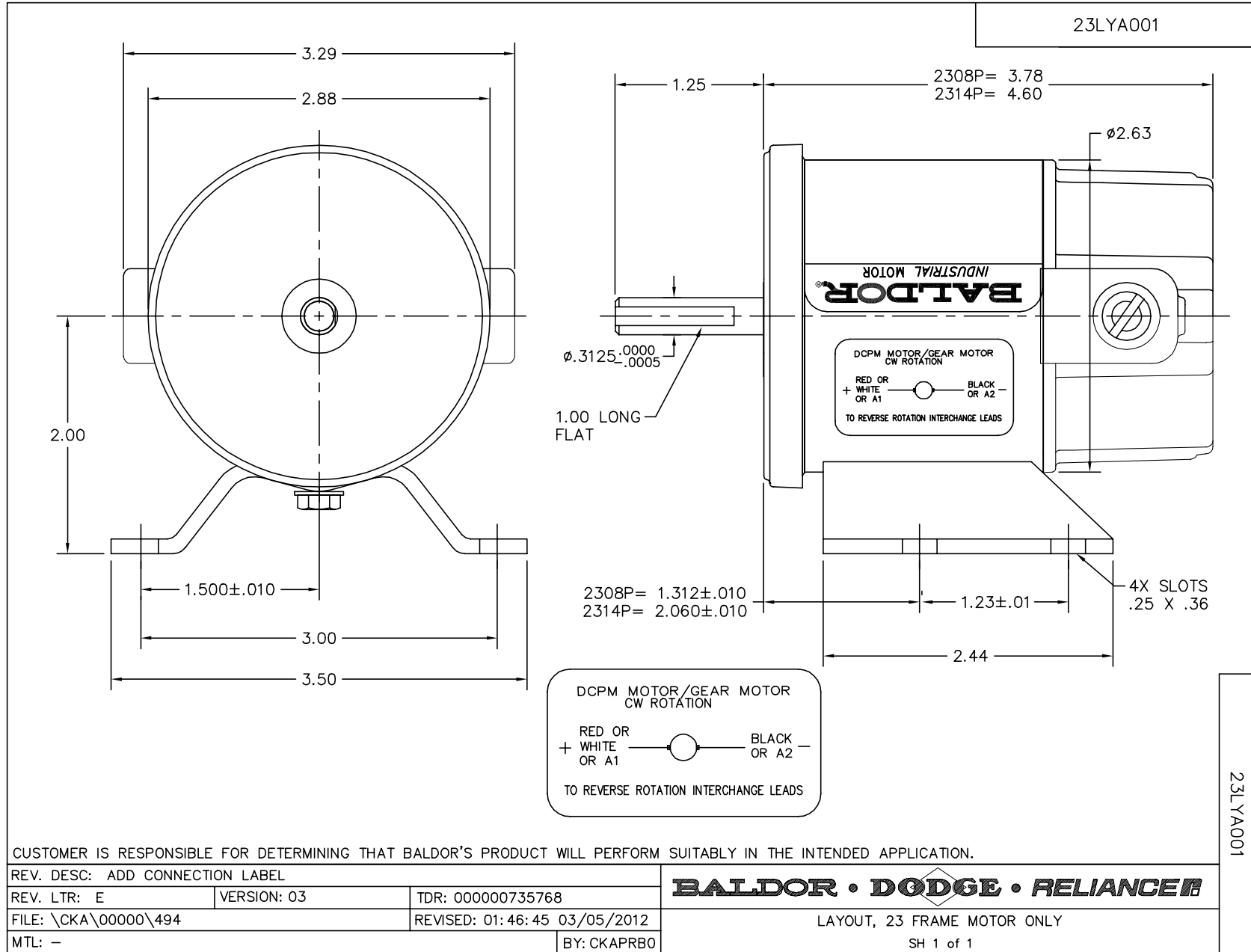
Part Detail							
Revision:	X	Status:	PRD/A	Change #:		Proprietary:	No
Type:	DC	Prod. Type:		Elec. Spec:	23WGZ002	CD Diagram:	CD1899
Enclosure:	TENV	Mfg Plant:		Mech. Spec:		Layout:	23LYA001
Frame:		Mounting:		Poles:	///	Created Date:	
Base:		Rotation:	R	Insulation:	F	Eff. Date:	09-21-2016
Field Type:		Literature:		Elec. Diagram:		Replaced By:	

Nameplate NP1220A15

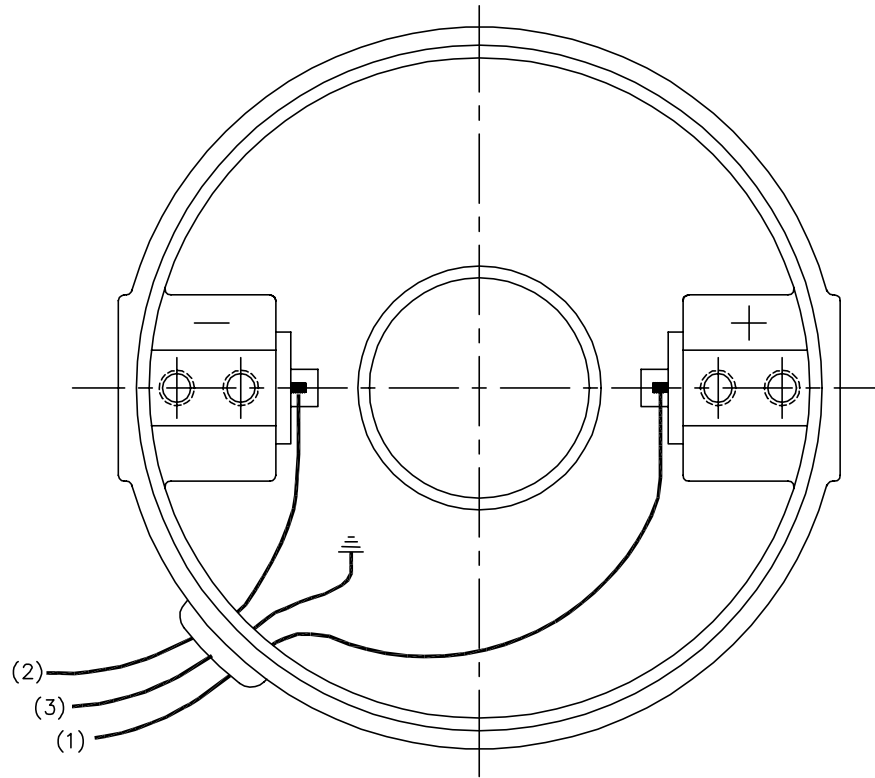
CAT.NO.	AP232001		
SER.NO	DATA CODE		
SPEC.	23A001Z002		
FRAME		TYPE	2314P
HP	.04	TE	
VOLTS	90DC		
AMP	.48		
F.F.	1.35	CLASS	F
RPM	1725		
AMB.	40	DUTY	CONT
BRUSHES	2/BP5060DA02		
APRV-CUL			

Parts List		
Part Number	Description	Quantity
SA048828	SA 23A001Z002	1.000 EA
AA005461	AA 23A001Z002	1.000 EA
LC0899A02	CONNECTION LABEL FOR TYPE DCPM	1.000 EA
BP5060DA02	CARBON BRUSH-1/8X3/16 FOR MODEL 23 P130	2.000 EA
23BA4002L	23BA4002-BLACK POWDER COATED	1.000 EA
96XN1032A05	10-32X5/16 FLAT HD PHLPS DRV	2.000 EA
23EP3108A01L	EP,23DC ODE CL 0.63 P4	1.000 EA
HW5002A45	RETAINING RING,WALDES TRUARC N5002-118	1.000 EA
HW5109A06	WASHER, WAVE SPRING FOR 22MM BORE SMALLE	1.000 EA
55XT0632G03	6-32 X 0.187 RD HD PHILLIPS, SERRATED	1.000 EA
23EP3100A01L	ENDPLATE, 23 FRAME FRONT	1.000 EA
WD4102A01	SR-6L-1 HEYCO STRN RELIEF OR 23MPO6L10 M	1.000 EA
80XN0632J03	SCREW, 6-32 X 3/16", SHS, AS	2.000 EA
BP4517	BRUSH TUBE ASM,	2.000 EA
BP4515SP	BRUSH CAP	1.000 EA
BCB1111-063	CABLE ASS'Y, 18-3-SJOOW	1.000 EA
HA3170A09	THRUBOLT,FLAT HD. #8-32 THDS X 4.187 LON	2.000 EA
NP1220A15	NP,DC STD AD NONE V MOTOR ONLY CUL	1.000 EA
CPA1000	PACKING GROUP STD. SINGLE	1.000 EA

Accessories		
Part Number	Description	Multiplier
BC110	FRAC DC ANALOG,115AC,50/60HZ,1.0A,1	E9
BC138	3478# KBWM-120 CN3000A57	E9
BC140	CS2934A,120/240VAC .5/1-HP SCR CTL,NEMA	E9
BC140-FBR	3479G KBMD-240D w/FBR CN3000A54	E9
BC141	CHASSIS MOUNT FSCN CN3000A20	E9
BR0250	PLUG IN RESISTOR	E9



CD1899



(1) COLOR MAY BE
RED
WHT
BLU

(2) COLOR MAY BE
BLK
BRN

(3) COLOR WHEN REQ.
GRN
GRN/YEL

VIEWS FROM
DRIVE END

REV. DESC: NEW			
REV. LTR: -	BY: PAW	REVISED: 09:06:34 09/16/2004	TDR: 341564
668100		FILE: CKA00025830	REF: CD1899
		MTL: -	

BALDOR ELECTRIC Co.

PM,2LD,REV,TANG,CK

CD1899