

# **BALDOR® • RELIANCE**

## **Product Information Packet**

# **AP233021**

**.06HP,1800RPM,DC,AP-0,2318P,TENV,AP**

Part Detail							
Revision:	U	Status:	PRD/A	Change #:		Proprietary:	No
Type:	DC	Prod. Type:		Elec. Spec:	23WGZ004	CD Diagram:	CD1899
Enclosure:	TENV	Mfg Plant:		Mech. Spec:		Layout:	23LYA002
Frame:		Mounting:		Poles:	///	Created Date:	
Base:		Rotation:	R	Insulation:	F	Eff. Date:	10-21-2014
Field Type:		Literature:		Elec. Diagram:		Replaced By:	

## Nameplate NP1220A15

CAT.NO.	AP233021		
SER.NO			
SPEC.	23A002Z004		
FRAME		TYPE	2318P
HP	1/15	TE	
VOLTS	180 DC		
AMP	.39		
F.F.	1.40	CLASS	F
RPM	1800		
AMB.	40	DUTY	CONT
BRUSHES	2/BP5060BF02		
APRV-CUL			

Parts List		
Part Number	Description	Quantity
SA048830	SA 23A002Z004	1.000 EA
AA005463	AA 23A002Z004	1.000 EA
LC0899A02	CONNECTION LABEL FOR TYPE DCPM	1.000 EA
BP5060BF02SP	1/8X3/16 GRD A252 BRUSH CARBONE#BAL-40	1.000 EA
23BA4002L	23BA4002-BLACK POWDER COATED	1.000 EA
96XN1032A05	10-32X5/16 FLAT HD PHLPS DRV	2.000 EA
23EP3108A01L	EP,23DC ODE CL 0.63 P4	1.000 EA
HW5109A06	WASHER, WAVE SPRING FOR 22MM BORE SMALLE	1.000 EA
55XT0632G03	6-32 X 0.187 RD HD PHILLIPS, SERRATED	1.000 EA
23EP3100A01L	ENDPLATE, 23 FRAME FRONT	1.000 EA
WD4102A01	SR-6L-1 HEYCO STRN RELIEF OR 23MPO6L10 M	1.000 EA
HA3170A10	THRUBOLT,FLAT HD. #8-32 THDS X 4.687 LON	2.000 EA
HW5002A45	RETAINING RING,WALDES TRUARC N5002-118	1.000 EA
80XN0632J03	SCREW, 6-32 X 3/16", SHS, AS	2.000 EA
BCB1111-063	CABLE ASS'Y, 18-3-SJOOW	1.000 EA
BP4515SP	BRUSH CAP	1.000 EA
BP4517	BRUSH TUBE ASM,	2.000 EA
NP1220A15	NP,DC STD AD NONE V MOTOR ONLY CUL	1.000 EA
CPA1000	PACKING GROUP STD. SINGLE	1.000 EA

<b>Accessories</b>		
<b>Part Number</b>	<b>Description</b>	<b>Multiplier</b>
BC110	FRAC DC ANALOG,115AC,50/60HZ,1.0A,1	E9
BC139	.25HP-230V/SCR CNTL,AC,HP RES REQ.	E9
BC140	CS2934A,120/240VAC .5/1-HP SCR CTL,NEMA	E9
BC140-FBR	3479G KBMD-240D w/FBR CN3000A54	E9
BC142	3HP-230V/ CHASSIS MOUNT/KBMM-225	E9
BR0350	PLUG IN RESISTOR	E9

**DC Motor Performance Data**

Record # 663 - Typical performance - not guaranteed values

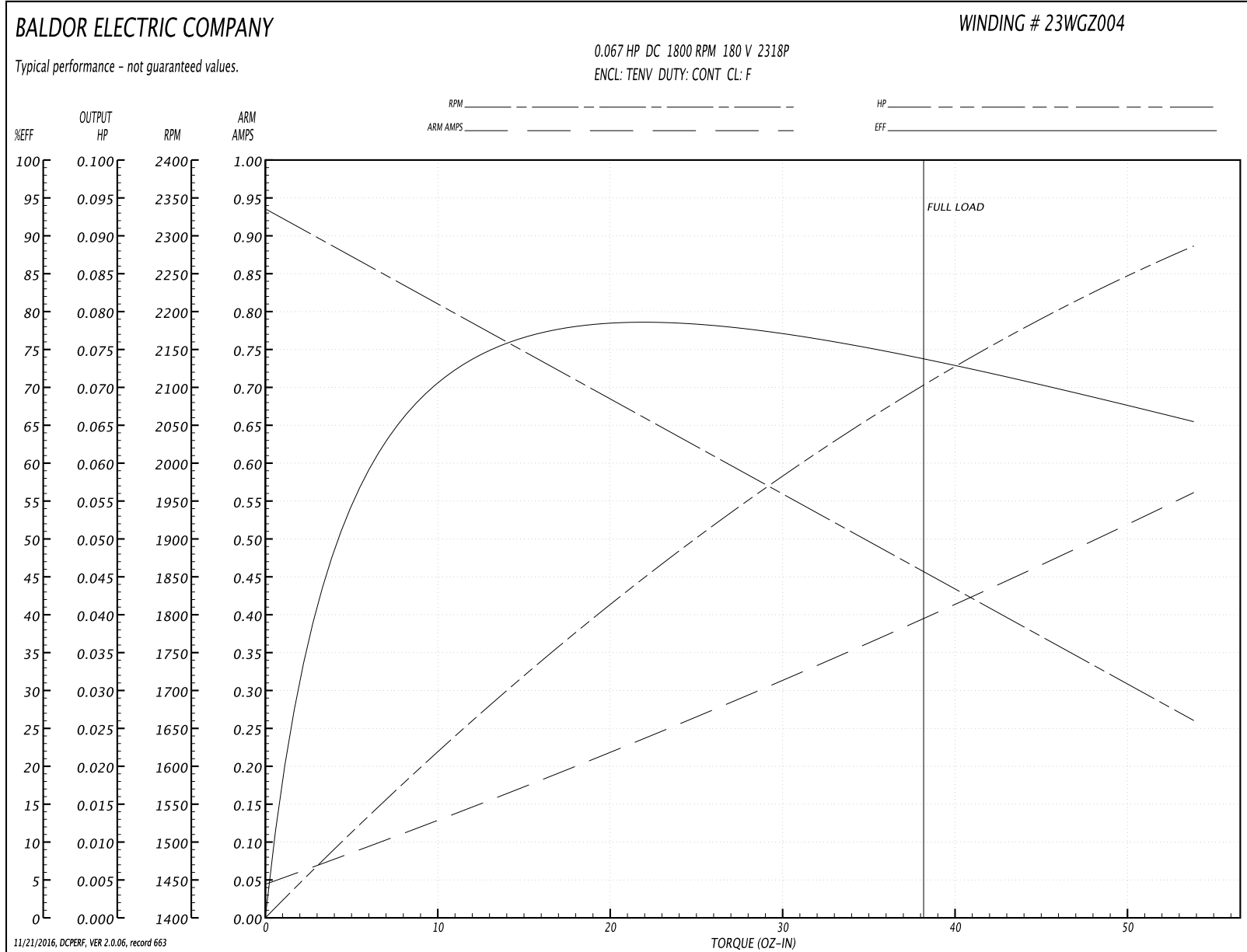
<b>Winding:</b> 23WGZ004-R001	<b>Type:</b> 2318P	<b>Enclosure:</b> TENV
-------------------------------	--------------------	------------------------

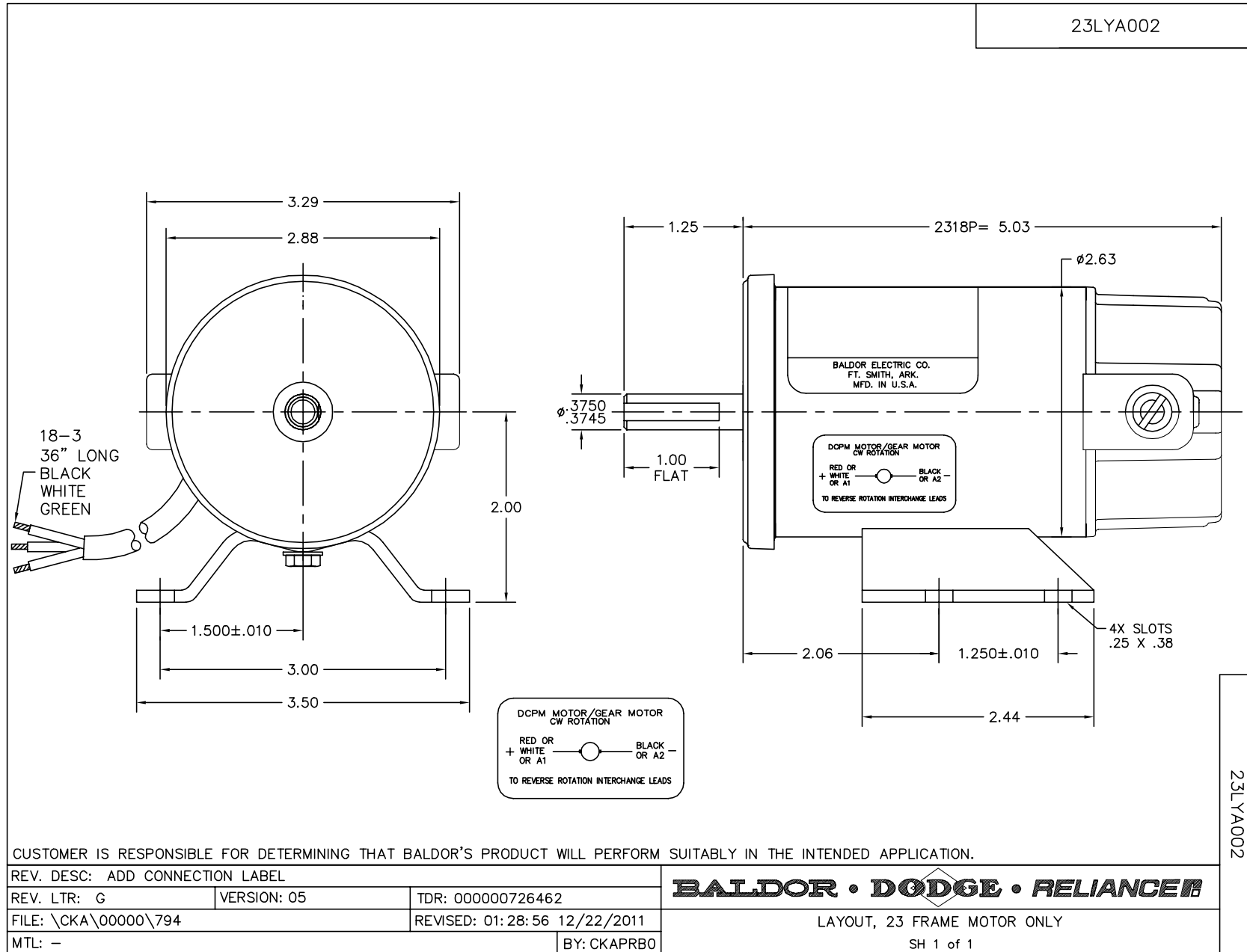
Nameplate Data		General Characteristics	
Rated Output (HP)	0.067	Armature Resistance @ 25°C	83.869 Ω
R.P.M.	1800		
Armature Volts	180		
Armature Amps	0.39		
Field Volts		Armature Inductance	165 mH
Field Amps		Armature Inertia	4.239 OI <sup>2</sup>
Rating - Duty	40C AMB-CONT		
Form Factor	1.4	Maximum allowable inrush amps	5.8

Load Characteristics at 180 Armature Volts

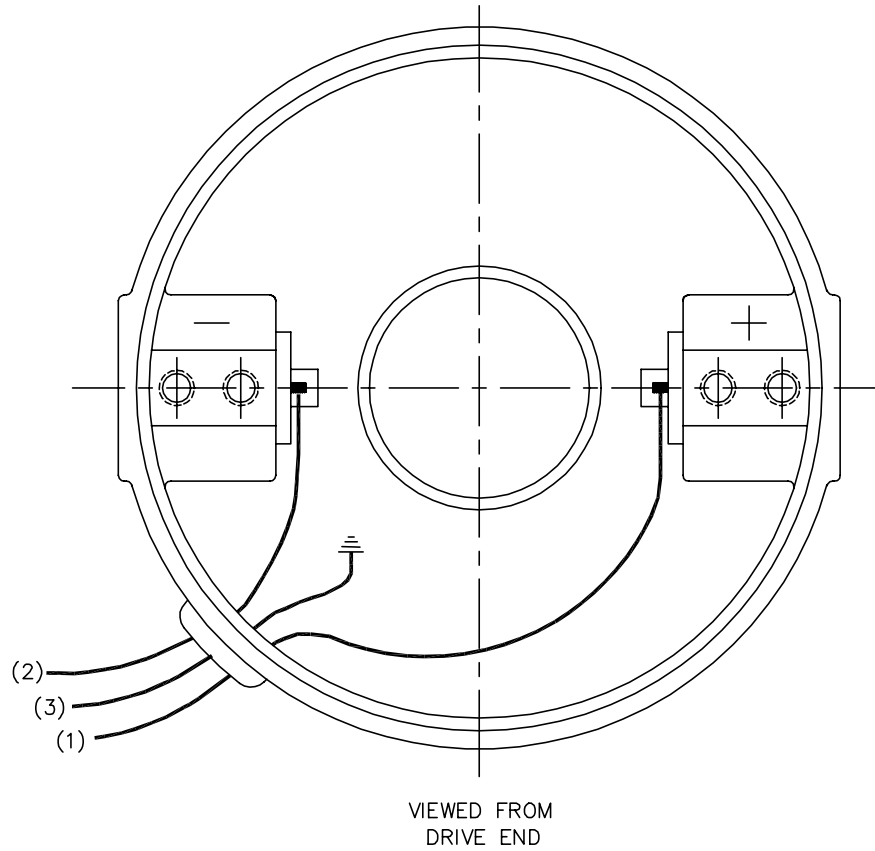
Load Point	1	2	3	4	5	6	7
Armature Amps	0.04	0.13	0.21	0.3	0.39	0.48	0.57
R.P.M.	2325	2213	2103	1990	1870	1757	1633
Torque ( OZ-IN )	0	9.48	18.95	28.43	37.9	47.38	53.85

Performance Graph at 180.0 Arm V, 0.067HP Typical performance - Not guaranteed values





CD1899



(1) COLOR MAY BE  
RED  
WHT  
BLU

(2) COLOR MAY BE  
BLK  
BRN

(3) COLOR WHEN REQ.  
GRN  
GRN/YEL

VIEWED FROM  
DRIVE END

REV. DESC: NEW			
REV. LTR: -	BY: PAW	REVISED: 09:06:34 09/16/2004	TDR: 341564
668100		FILE: CKA00025830	REF: CD1899
		MTL: -	

**BALDOR ELECTRIC Co.**

PM,2LD,REV,TANG,CK

CD1899