

# **BALDOR® • RELIANCE**

## **Product Information Packet**

# **CDPT3440**

**.75HP, 1750RPM, DC, 56C, 3428P, TEFC, F1**

Part Detail							
Revision:	L	Status:	PRD/A	Change #:		Proprietary:	No
Type:	DC	Prod. Type:		Elec. Spec:	34WG3662	CD Diagram:	CD0194
Enclosure:	TEFC	Mfg Plant:		Mech. Spec:	34-6432	Layout:	34LY6432
Frame:	56C	Mounting:	F1	Poles:	///	Created Date:	
Base:	RG	Rotation:	R	Insulation:	F	Eff. Date:	10-23-2013
Field Type:		Literature:		Elec. Diagram:		Replaced By:	

Nameplate NP0891L			
CAT.NO.	CDPT3440		
SPEC.	34-6432-3662		
HP	.75	ENCL	TEFC
RPM	1750		
FRAME	56C	TYPE	3428P
ARM V	90	ARM A	7.6
FLD V		FLD A	
INSUL	F	AMB.	40
DUTY	CONT	SUPPLY	1.5
BRG/DE	6203	BRG/ODE	6203
BRUSHES	2/BP5000BK08		
SER.		BLANK	
BLANK			
APRV-CE	<input checked="" type="checkbox"/>	APRV-CSA	<input checked="" type="checkbox"/>
		APRV-UL	<input checked="" type="checkbox"/>

Parts List		
Part Number	Description	Quantity
SA005393	SA 34-6432-3662	1.000 EA
AA003042	AA 34-6432-3662	1.000 EA
BP5000BK08SP	CARBON BRUSH - GRADE SA-35	1.000 EA
HA3210B66	.125 DIA X .281 (AUTO)	2.000 EA
11XW1032G06	10-32 X .38, TAPTITE II, HEX WSHR SLTD U	1.000 EA
HW3001B01	BRASS CUP WASHER, FOR #8 SCREW	1.000 EA
34EP3103B03	FR. ENDPLATE, MACH	1.000 EA
HA6341A01	TG-300 TACH. ADAPTER MACH'D FOR 34 FRAME	1.000 EA
84XN2520J12	1/4-20 X 3/4 SOC.HD CAP SCR	4.000 EA
HW1002A25	WASHER, 1/4 HI-COLLAR LCKWSHR	4.000 EA
HW1001A04	WASHER, #4 SPLT LK ZINC	2.000 EA
34CB4510	COVER- 34 TACH. ADAP(CLOWTDR10478 ORDER	1.000 EA
34GS5002	GASKET-COVER 34 TACH ADAPTER	1.000 EA
51XW0832A07	8-32 X .44, TAPTITE II, HEX WSHR SLTD SE	3.000 EA
WD4100A26	HEYCO UNIVERSAL BUSHING P/N 2089, MTG HO	1.000 EA
12XN0440A12	4-40X.750 SLOTTED HEX HD CAP ZN	2.000 EA
WD4100A17	PLUG STIMPSON D4036	1.000 EA
HW5100A03SP	WAVY WASHER (W1543-017)	1.000 EA
34EP3300A29	PU ENDPLATE, MACH	1.000 EA
51XN1032A20	10-32 X 1 1/4 HX WS SL SR	2.000 EA
BP5201A11SP	BRUSH HOLDER ASSY W/BP4511A01 & BP3000A0	1.000 EA
80XN1032A03	10-32 X 3/16 SET SCREW	2.000 EA
34FN3002A01SP	EXTERNAL FAN, PLASTIC, .637/.639 HUB W/	1.000 EA
34FH4002A01SP	IEC FH NO GREASER PRIMED	1.000 EA

Parts List (continued)		
Part Number	Description	Quantity
51XW1032A06	10-32 X .38, TAPTITE II, HEX WSHR SLTD S	3.000 EA
34CB4504SP	CONDUIT BOX LID, STAMPED	1.000 EA
34GS1011SP	GASKET, CONDUIT BOX LID	1.000 EA
51XW0832A07	8-32 X .44, TAPTITE II, HEX WSHR SLTD SE	2.000 EA
HW2501D13	KEY, 3/16 SQ X 1.375	1.000 EA
HA7000A04	KEY RETAINER 0.625 DIA SHAFTS	1.000 EA
X3B003Z029	TACH TG-300 50V .625BORE W/NOTCH CW	1.000 EA
18XN0632A16	FLAT HEAD SCREW	2.000 EA
WD4102A01	SR-6L-1 HEYCO STRN RELIEF OR 23MPO6L10 M	1.000 EA
MG1000G27	MED CHARCOAL METALLIC GREY 400-0096	0.014 GA
MJ5004A05	#242-21 LOCTITE GENERAL PURPOSE MED. STR	0.001 EA
10XF0440S02	04-40 X 1/8 TYPE F HEX HD STAINLESS STIC	2.000 EA
HA6345A02	SHAFT ADAPTER,34 & 35 MTRTG200 & TG300 T	1.000 EA
HW1005W01	IOCKWASHER, 201 BEARING MO	1.000 EA
ML14A1B14	14 AWG,A1,BLACK	8.500 IN
ML14A2B14	14 AWG,A2,BLACK	8.500 IN
HA3100A47	THRUBOLT 10-32 X 7.625	4.000 EA
LB1119N	WARNING LABEL	1.000 EA
LC0194	CONNECTION LABEL	1.000 EA
MN416A01	TAG-INSTAL-MAINT no wire (1200/bx) 11/14	1.000 EA
NP0891L	NP STD LASER ENGRAVED DC MTRS, UL CSA CE	1.000 EA
35PA1007	PKG GRP, PRINT PK1034A06	1.000 EA

**DC Motor Performance Data**

Record # 2650 - Typical performance - not guaranteed values

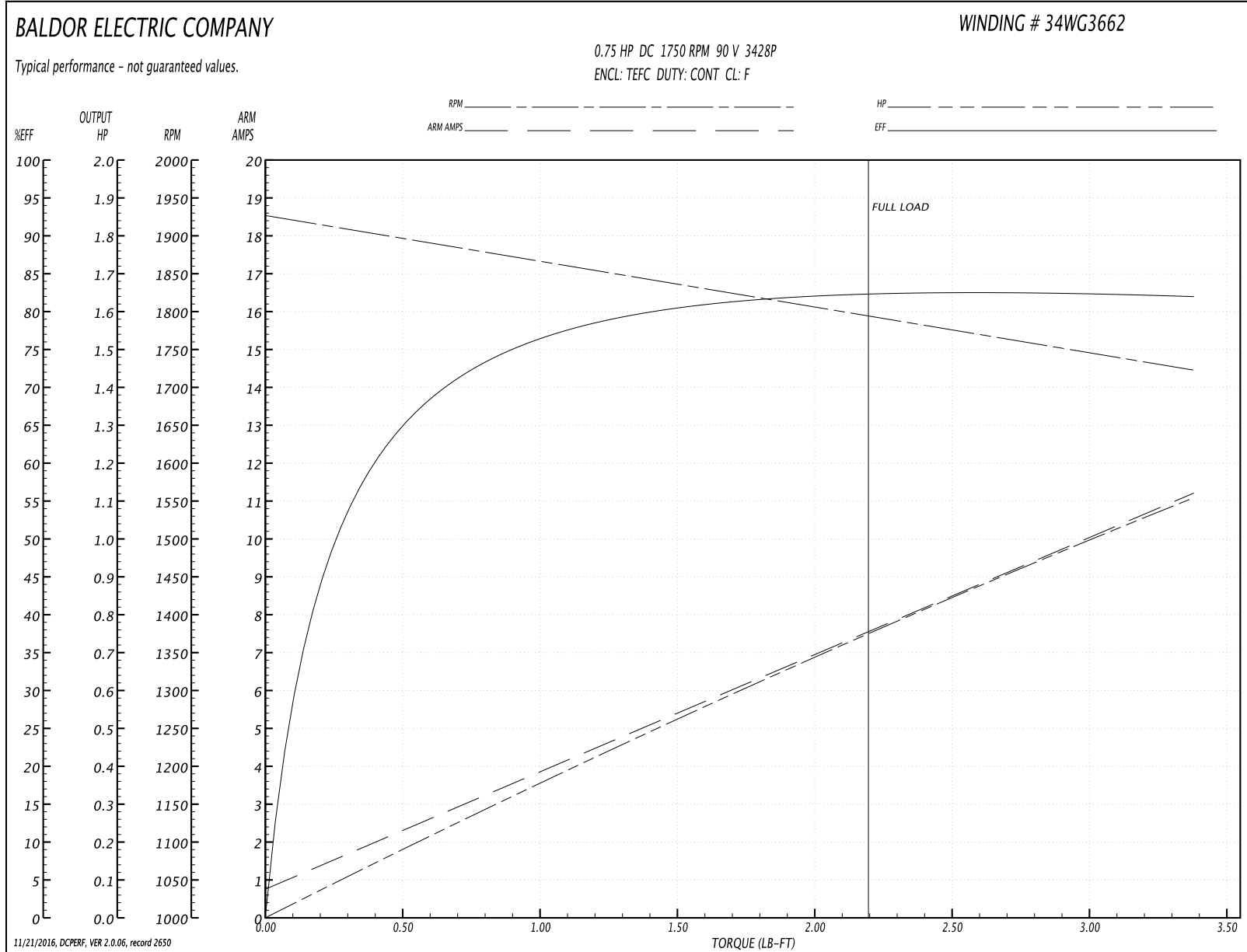
<b>Winding:</b> 34WG3662-R001	<b>Type:</b> 3428P	<b>Enclosure:</b> TEFC
-------------------------------	--------------------	------------------------

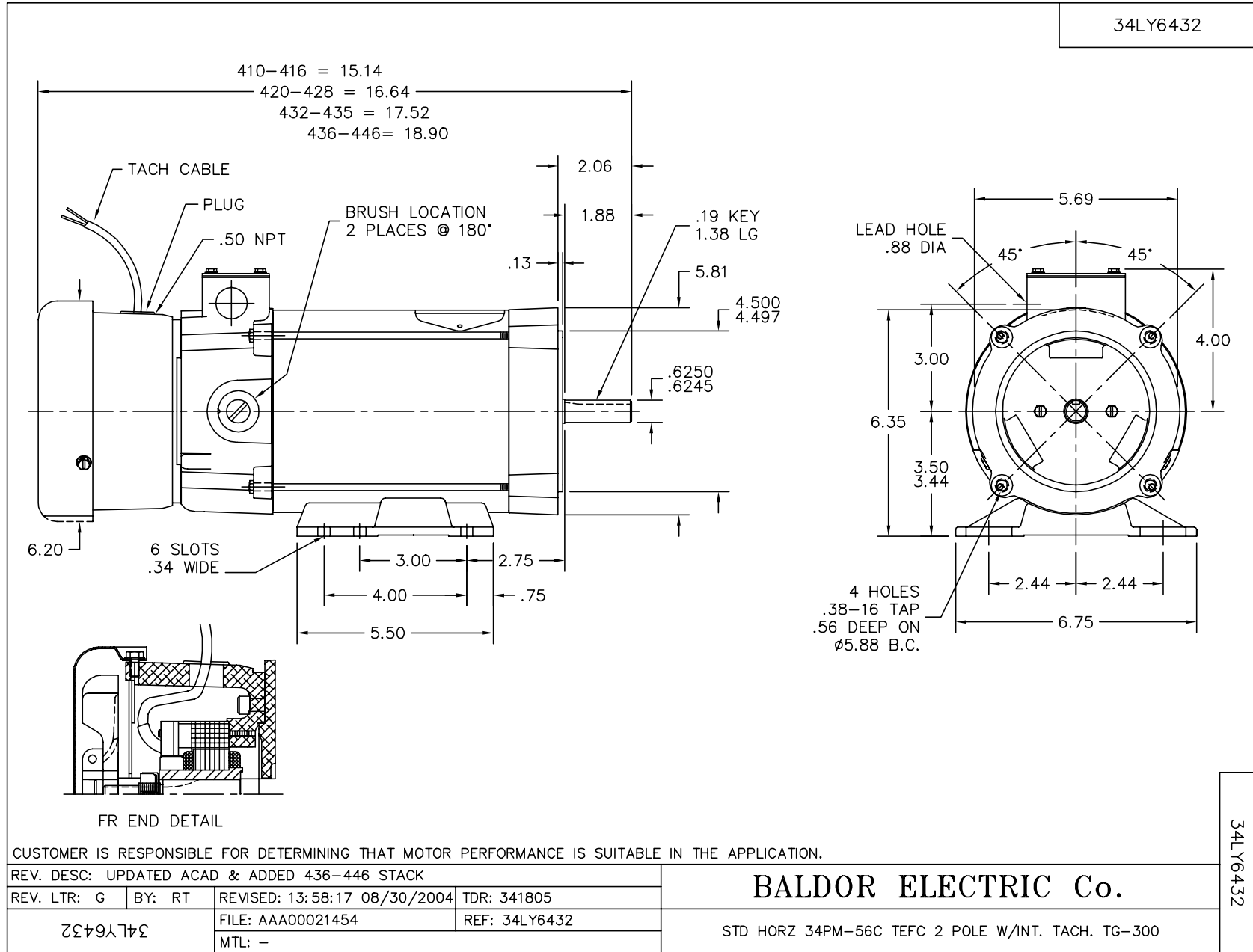
Nameplate Data		General Characteristics	
Rated Output (HP)	0.75	Armature Resistance @ 25°C	0.7344 Ω
R.P.M.	1750		
Armature Volts	90	Voltage Constant	45.88 v/krpm
Armature Amps	7.6		
Field Volts		Armature Inductance	6.683 mH
Field Amps		Armature Inertia	10.9256 LI <sup>2</sup>
Rating - Duty	40C AMB-CONT		
Form Factor	1.5		

Load Characteristics at 90 Armature Volts

Load Point	1	2	3	4	5	6	7
Armature Amps	0.9	2.15	4.52	5.83	7.69	9.6	11.13
R.P.M.	1933	1889	1851	1825	1798	1759	1720
Torque ( LB-FT )	0	0.56	1.12	1.68	2.25	2.81	3.38

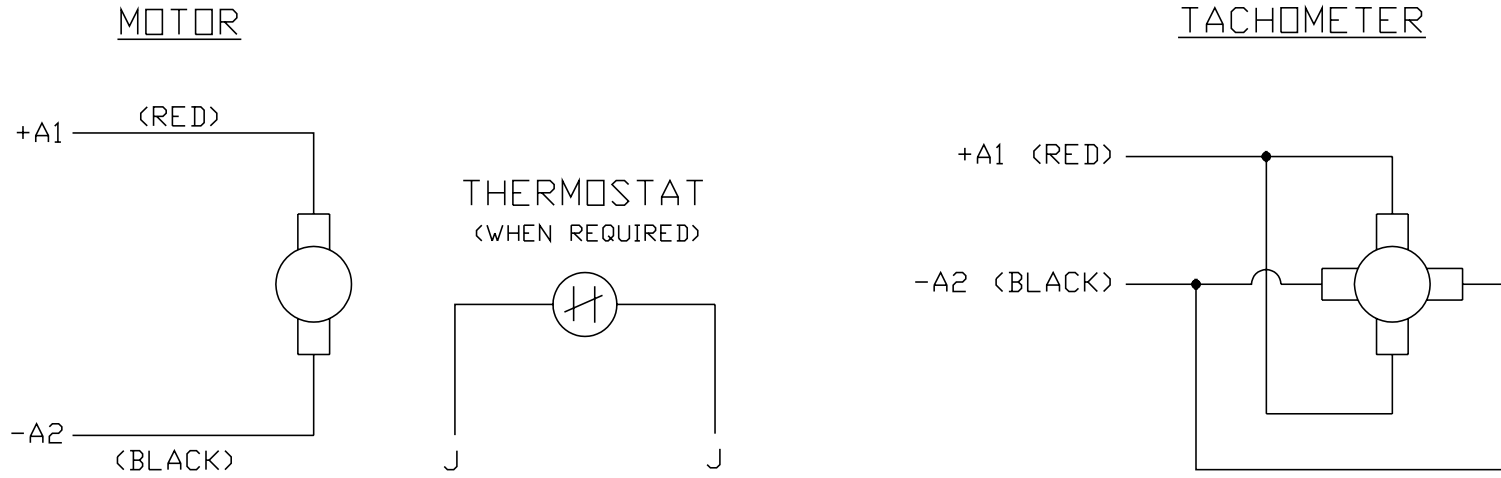
Performance Graph at 90.0 Arm V, 0.75HP Typical performance - Not guaranteed values







CD0194



NOTES:

1. CCW ROTATION AS SHOWN FACING COMMUTATOR END. TO REVERSE MOTOR ROTATION OR TACHOMETER OUTPUT POLARITY INTERCHANGE LEADS A1(RED) & A2(BLACK)
2. LEAD COLORS FOR REFERENCE ONLY & NOT SPECIFIED BY THIS DRAWING. LEAD COLORS SPECIFIED BY LAYOUT DRAWING & BILL OF MATERIAL ONLY.

MATL: -			
REV: E	ADDED NOTE "LEAD COLORS FOR REFERENCE ONLY &..."		
761000	SCALE: -	BY: CK	REVISED: 07/28/95
	FILE: AAA00004503		TDR: 0078737

**BALDOR ELECTRIC Co.**

CD TYPE P DC PERMANENT MAGNET MOTORS AND TACHOMETERS

CD0194