

BALDOR® • ***RELIANCE***

Product Information Packet

CL5003A

.5HP,3450RPM,1PH,60HZ,56C,X3416L,XPFC,F1

| Part Detail | | | | | | | |
|-------------|----------------|----------------|-------|-------------|----------|---------------|------------|
| Revision: | AB | Status: | PRD/A | Change #: | | Proprietary: | No |
| Type: | AC | Prod. Type: | 3416L | Elec. Spec: | 34WG5719 | CD Diagram: | CD0565 |
| Enclosure: | XPFC | Mfg Plant: | | Mech. Spec: | 34-5328 | Layout: | 34LY5328 |
| Frame: | 56C | Mounting: | F1 | Poles: | 02 | Created Date: | |
| Base: | RG | Rotation: | R | Insulation: | B | Eff. Date: | 09-22-2016 |
| Leads: | 6#18,1#16 #4TH | | | | | Replaced By: | |
| Literature: | | Elec. Diagram: | | | | | |

| | |
|-----------------------------|----------------------|
| Nameplate NP0016XPSL | |
| NO. | <input type="text"/> |
| SER. | <input type="text"/> |
| SPEC. | 34-5328-5719 |
| CAT.NO. | CL5003A |
| HP | .5 |
| VOLTS | 115/230 |
| AMPS | 7.4/3.7 |
| RPM | 3450 |
| HZ | 60 |
| SER.F. | 1.00 |
| RATING | 40C AMB-CONT |
| FRAME | 56C |
| USABLE AT 208V | <input type="text"/> |
| BLANK | <input type="text"/> |

| | |
|--------------|----------------------|
| CC | <input type="text"/> |
| T. CODE | T3C |
| PH | 1 |
| CL | B |
| DES | N |
| CODE | K |
| NEMA-NOM-EFF | 57 |
| PF | 71 |

| Parts List | | |
|---------------|--|----------|
| Part Number | Description | Quantity |
| SA008983 | SA 34-5328-5719 | 1.000 EA |
| RA005430 | RA 34-5328-5719 | 1.000 EA |
| 35CB3001A01SP | EXPL CONDUIT BOX, MACH, 1/2" PIPE TAP LE | 1.000 EA |
| 11XW1032G06 | 10-32 X .38, TAPTITE II, HEX WSHR SLTD U | 1.000 EA |
| HW3001B01 | BRASS CUP WASHER, FOR #8 SCREW | 1.000 EA |
| 34EP3703A01 | FR ENDPLATE, MACH XP | 1.000 EA |
| 51XW0832A07 | 8-32 X .44, TAPTITE II, HEX WSHR SLTD SE | 2.000 EA |
| HW4002A02 | 1-11.5X2LG PIPE NIPPLE (F/S) | 1.000 EA |
| HA1025A13 | WSHR,FELT,.38" THICK F-26 CLASS | 1.000 EA |
| HW3021E06 | 1/8 DIA X 5/8 ROLLPIN (F/S) | 1.000 EA |
| HW5100A03SP | WAVY WASHER (W1543-017) | 1.000 EA |
| 34EP3705A01SP | PU ENDPLATE, MACH | 1.000 EA |
| 34FN3002A01SP | EXTERNAL FAN, PLASTIC, .637/.639 HUB W/ | 1.000 EA |
| 34FH4002A01SP | IEC FH NO GREASER PRIMED | 1.000 EA |
| 51XW1032A06 | 10-32 X .38, TAPTITE II, HEX WSHR SLTD S | 3.000 EA |
| 35CB3500A01SP | CONDUIT BOX LID, MACH | 1.000 EA |
| 51XN2520A16 | SCREW, HEX WS SLT, ZN, 1/4-20 X 1.00 | 4.000 EA |
| HW2501D13 | KEY, 3/16 SQ X 1.375 | 1.000 EA |
| HA7000A04 | KEY RETAINER 0.625 DIA SHAFTS | 1.000 EA |
| NP0018W | ALUM UL XP CONDUIT BOX NAMEPLATE | 1.000 EA |
| WD1000A03 | 41531 AMP FLG.TERM,4M/REEL(2.5MIL) | 8.000 EA |
| WD1000A16 | 2-520128-2 AMP FLAG TERMINAL(4M/RL) | 4.000 EA |
| HA6003A52 | CLAMP, CAPACITOR, WHITE ZINC PLATED | 2.000 EA |
| 51XW0832A07 | 8-32 X .44, TAPTITE II, HEX WSHR SLTD SE | 2.000 EA |

| Parts List (continued) | | |
|------------------------|---|----------|
| Part Number | Description | Quantity |
| MG1025G29 | WILKOFAST, 789.229, DARK CHARCOAL GRAY | 0.014 GA |
| 85XU0407S04 | 4X1/4 U DRIVE PIN STAINLESS | 6.000 EA |
| SP5036A01 | STAT. SWITCH ASSY. MODEL 34 TYPE L OR S | 1.000 EA |
| TPMRJ57RX | THERMAL 1PH 0.75 AUT 120C | 1.000 EA |
| HA3104A03 | THRUBOLT 5/16-18 X 7.625 W QTE#457 | 4.000 EA |
| LC0008 | CONNECTION LABEL | 1.000 EA |
| EC1130A08SP | ELEC CAP 115V 1.125X2.750 X | 2.000 EA |
| MJ5000A01 | SEALANT, CHICO A COMPOUND | 0.050 LB |
| WD1000A16 | 2-520128-2 AMP FLAG TERMINAL(4M/RL) | 7.000 EA |
| LB1118 | LABEL,WARNING (ROLL LABEL) | 1.000 EA |
| NP0016XPSL | SS XP UL CSA CC CL-I GP-D CL-II GP-F&G | 1.000 EA |
| 35PA1000 | PKG GRP, PRINT PK1008A06 | 1.000 EA |

AC Induction Motor Performance Data
Record # 6817 - Typical performance - not guaranteed values

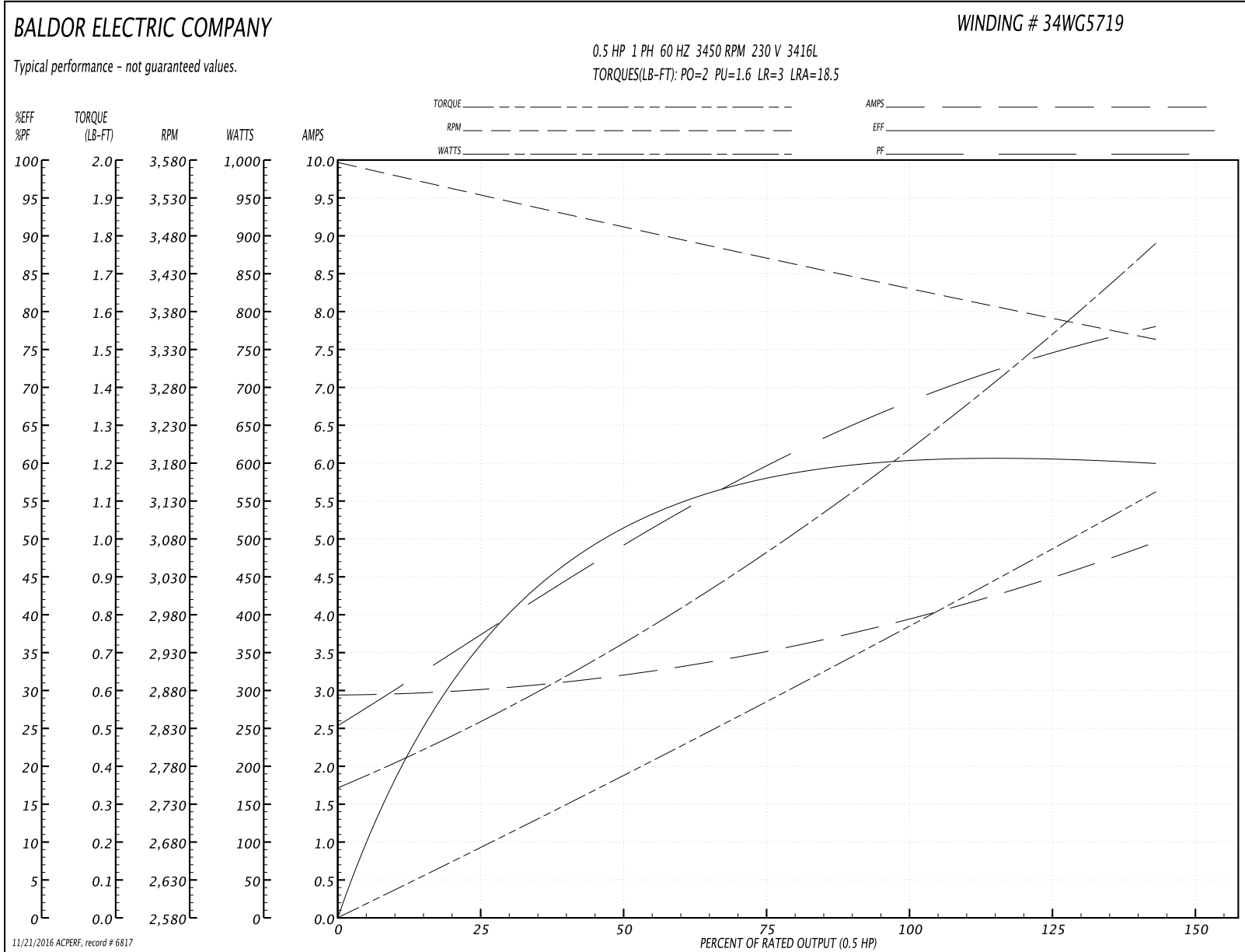
| | | |
|-------------------------------|--------------------|------------------------|
| Winding: 34WG5719-R001 | Type: 3416L | Enclosure: XPFC |
|-------------------------------|--------------------|------------------------|

| Nameplate Data | | | | 230 V, 60 Hz: High Voltage Connection | |
|-----------------------|--------------|--------------|----|--|----------------------------|
| Rated Output (HP) | .5 | | | Full Load Torque | 0.75 LB-FT |
| Volts | 115/230 | | | Start Configuration | direct on line |
| Full Load Amps | 7.4/3.7 | | | Breakdown Torque | 2 LB-FT |
| R.P.M. | 3450 | | | Pull-up Torque | 1.6 LB-FT |
| Hz | 60 | Phase | 1 | Locked-rotor Torque | 3 LB-FT |
| NEMA Design Code | N | KVA Code | K | Starting Current | 18.5 A |
| Service Factor (S.F.) | 1 | | | No-load Current | 2.95 A |
| NEMA Nom. Eff. | 57 | Power Factor | 71 | Line-line Res. @ 25°C | 4.72 Ω A Ph 3.76 Ω B Ph |
| Rating - Duty | 40C AMB-CONT | | | Temp. Rise @ Rated Load | 78°C |

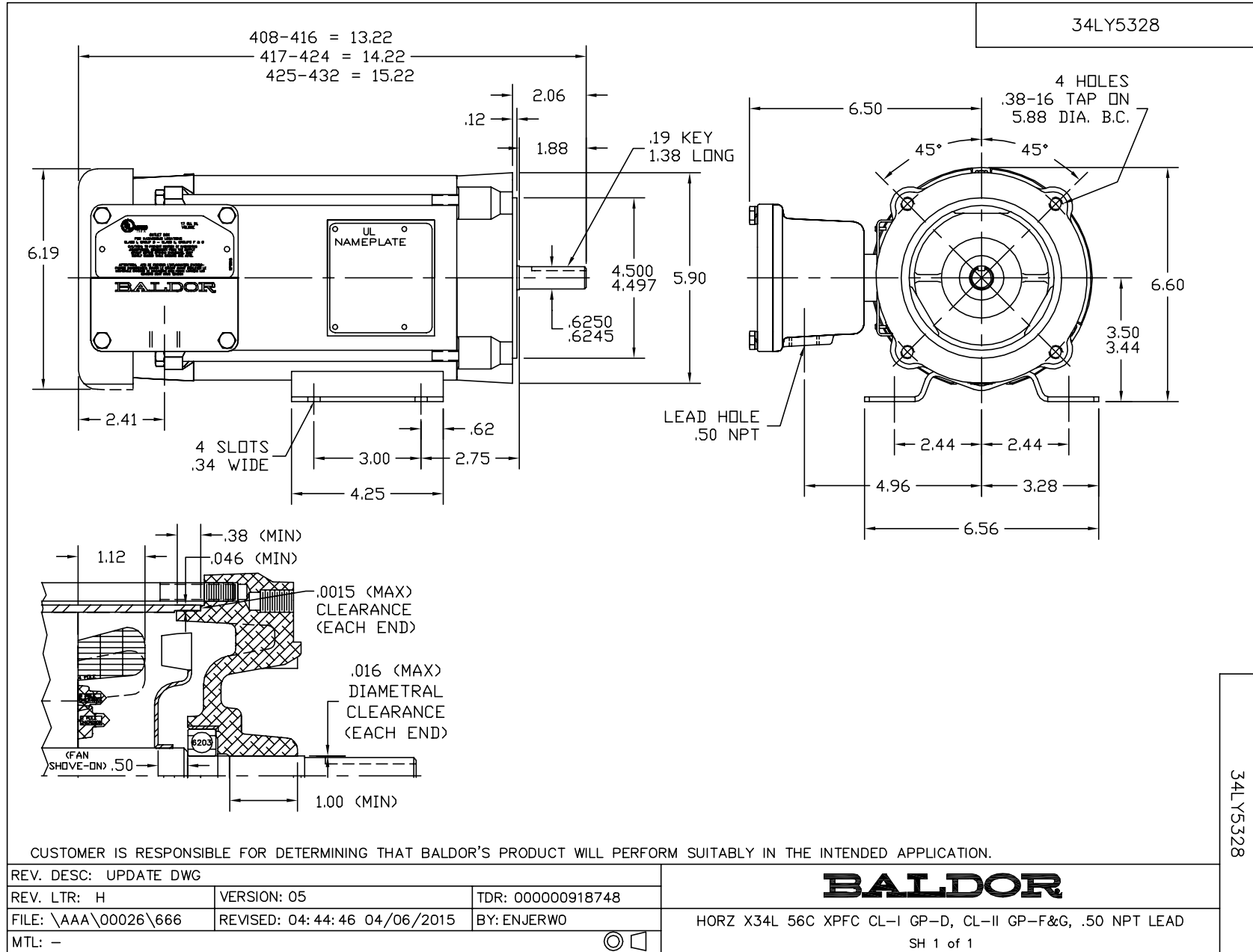
Load Characteristics 230 V, 60 Hz, 0.5 HP

| % of Rated Load | 25 | 50 | 75 | 100 | 125 | 150 |
|-----------------|------|------|------|------|------|------|
| Power Factor | 39 | 49 | 61 | 69 | 74 | 78 |
| Efficiency | 38.3 | 49.7 | 57.4 | 60.7 | 60.9 | 59.8 |
| Speed | 3530 | 3490 | 3450 | 3420 | 3380 | 3340 |
| Line amperes | 3 | 3.2 | 3.5 | 3.9 | 4.4 | 4.95 |

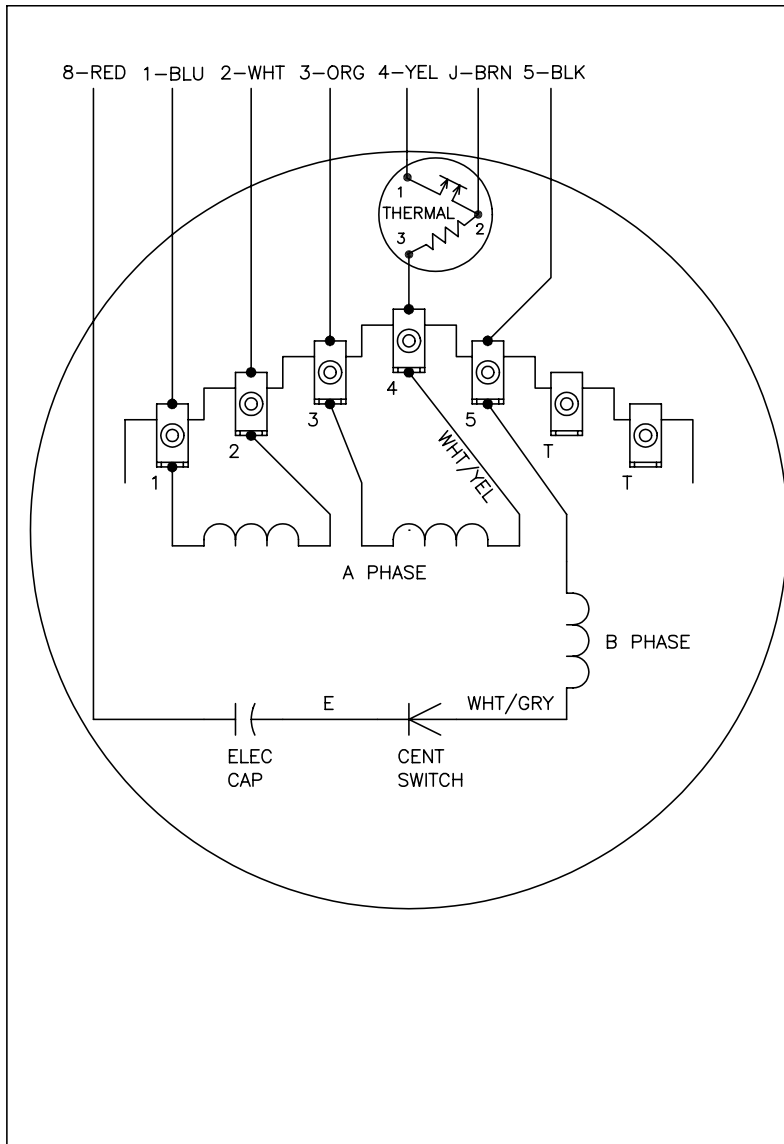
Performance Graph at 230V, 60Hz, 0.5HP Typical performance - Not guaranteed values



11/21/2016 ACPERF: record # 6817



CD0565

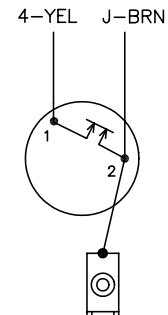


| | LINE A | LINE B | JOIN | JOIN |
|----------|--------|--------|-------|-------|
| HIGH STD | 1 | 4 | 2,3,8 | J,5 |
| HIGH OPP | 1 | 4 | 2,3,5 | J,8 |
| LOW STD | 1,3,8 | 4 | - | 2,J,5 |
| LOW OPP | 1,3,5 | 4 | - | 2,J,8 |

NOTES:

1. STANDARD ROTATION IS CCW FACING END OPPOSITE SHAFT EXTENSION.
2. MULTIPLE CAPACITORS ARE CONNECTED IN PARALLEL UNLESS OTHERWISE SPECIFIED.
3. LEAD COLORS ARE OPTIONAL. LEADS MUST ALWAYS BE NUMBERED AS SHOWN.

CONNECTIONS FOR TWO-TERMINAL THERMAL



| | | | |
|---|---------|------------------------|--------------|
| REV. DESC: REVISE TO SHOW OPTIONAL COLORS | | | |
| REV. LTR: C | BY: JLP | REVISED: 04/08/99 3:25 | TDR: 0178636 |
| 999000 | | FILE: AAA00014311 | MDL: - |
| | | MTL: - | |

BALDOR ELECTRIC Co.

TYPE L, DV, REV, THERMAL, 7 LD, 34XP

CD0565