

# **BALDOR**® • **RELIANCE**

## **Product Information Packet**

# **CM7014-57**

**1HP,1425RPM,3PH,50HZ,56C,3432M,XPFC,F1,N**

Part Detail							
Revision:	L	Status:	PRD/A	Change #:		Proprietary:	No
Type:	AC	Prod. Type:	3432M	Elec. Spec:	34WGX455	CD Diagram:	CD0022
Enclosure:	XPFC	Mfg Plant:		Mech. Spec:	34-5331	Layout:	34LY5331
Frame:	56C	Mounting:	F1	Poles:	04	Created Date:	09-12-2011
Base:	RG	Rotation:	R	Insulation:	B	Eff. Date:	08-24-2016
Leads:	6#18					Replaced By:	
Literature:		Elec. Diagram:					

## Nameplate NP1426XPSL

NO.		CC	
SER.			
SPEC.	34-5331X455G1		
CAT.NO.	CM7014-57		
HP	1	T. CODE	T3C
VOLTS	230/400		
AMPS	3.45/2		
RPM	1425		
HZ	50	PH	3
SER.F.	1.00	DES	B
RATING	40C AMB-CONT		
FRAME	56C	NEMA-NOM-EFF	74
USABLE AT 208V		PF	76
BLANK			

Parts List		
Part Number	Description	Quantity
SA230458	SA 34-5331X455G1	1.000 EA
RA217486	RA 34-5331X455G1	1.000 EA
MJ5000A01	SEALANT, CHICO A COMPOUND	0.050 LB
35CB3001A01SP	EXPL CONDUIT BOX, MACH, 1/2" PIPE TAP LE	1.000 EA
11XW1032G06	10-32 X .38, TAPTITE II, HEX WSHR SLTD U	1.000 EA
34EP3703A01	FR ENDPLATE, MACH XP	1.000 EA
51XW0832A07	8-32 X .44, TAPTITE II, HEX WSHR SLTD SE	2.000 EA
HW4002A02	1-11.5X2LG PIPE NIPPLE (F/S)	1.000 EA
HA1025A13	WSHR,FELT,.38" THICK F-26 CLASS	1.000 EA
HW3021E06	1/8 DIA X 5/8 ROLLPIN (F/S)	1.000 EA
HW5100A03SP	WAVY WASHER (W1543-017)	1.000 EA
34EP3705A01SP	PU ENDPLATE, MACH	1.000 EA
34FN3002A01SP	EXTERNAL FAN, PLASTIC, .637/.639 HUB W/	1.000 EA
34FH4002A01SP	IEC FH NO GREASER PRIMED	1.000 EA
51XW1032A06	10-32 X .38, TAPTITE II, HEX WSHR SLTD S	3.000 EA
35CB3500A01SP	CONDUIT BOX LID, MACH	1.000 EA
51XN2520A16	SCREW, HEX WS SLT, ZN, 1/4-20 X 1.00	4.000 EA
HW2501D13	KEY, 3/16 SQ X 1.375	1.000 EA
HA7000A04	KEY RETAINER 0.625 DIA SHAFTS	1.000 EA
SP5037A02	TERMINAL PLATE ASSY 556434 XP	1.000 EA
NP0018W	ALUM UL XP CONDUIT BOX NAMEPLATE	1.000 EA
WD1000A16	2-520128-2 AMP FLAG TERMINAL(4M/RL)	8.000 EA
HW3001B02	BRASS CUP WASHER W/GROUND SYMBOL TAB,	1.000 EA
MG1025G29	WILKOFAS, 789.229, DARK CHARCOAL GRAY	0.014 GA

<b>Parts List (continued)</b>		
<b>Part Number</b>	<b>Description</b>	<b>Quantity</b>
WD1000A16	2-520128-2 AMP FLAG TERMINAL(4M/RL)	8.000 EA
85XU0407S04	4X1/4 U DRIVE PIN STAINLESS	6.000 EA
HA3104A19	5/16-18 X 9.750 THRU BOLT OHIO	4.000 EA
LC0034	CONNECTION LABEL	1.000 EA
LB1119N	WARNING LABEL	1.000 EA
NP1426XPSL	SS XP UL CSA CC CL-I GP-D CL-II GP-F&G	1.000 EA
35PA1007	PKG GRP, PRINT PK1034A06	1.000 EA

**AC Induction Motor Performance Data**  
Record # 35186 - Typical performance - not guaranteed values

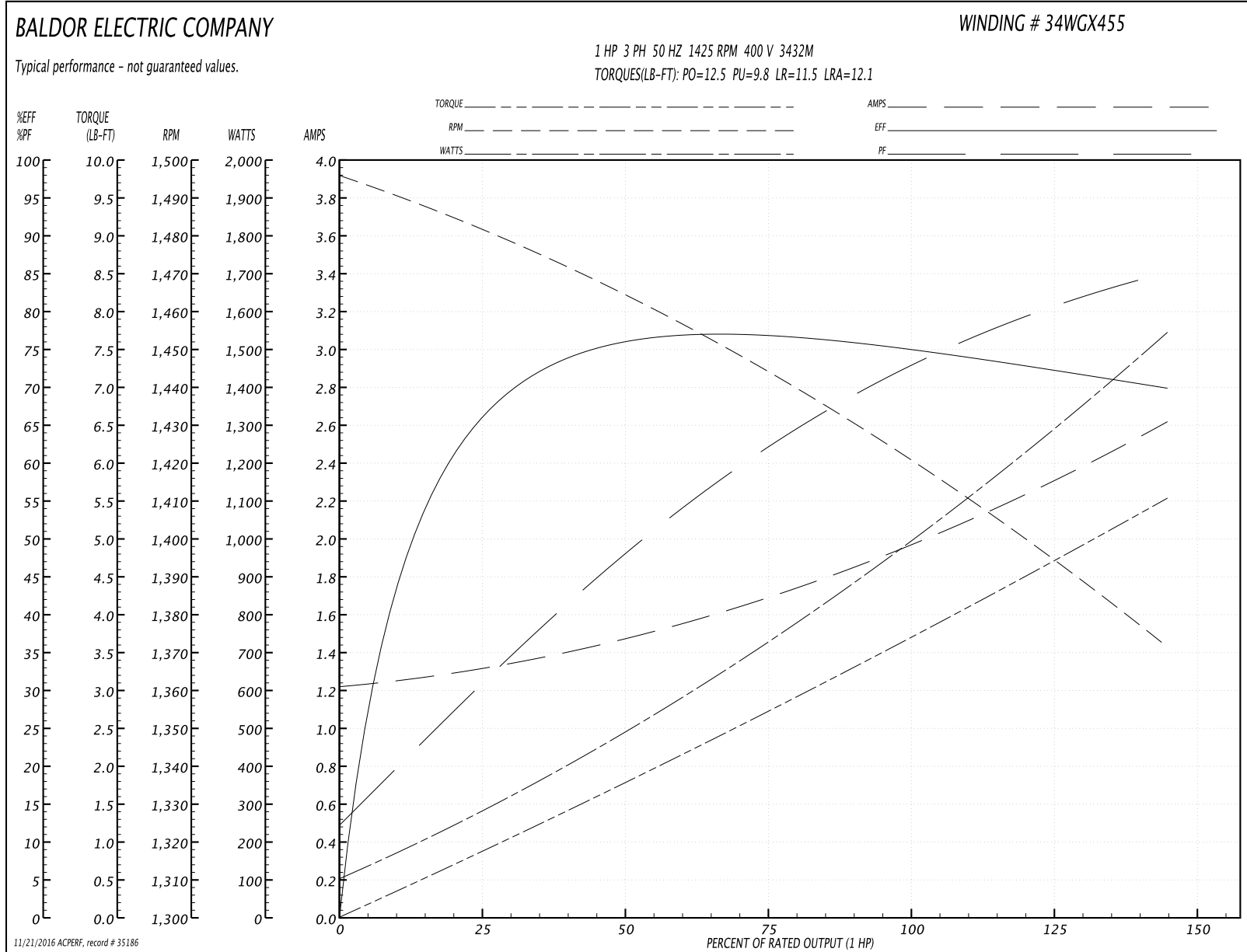
<b>Winding:</b> 34WGX455-R008	<b>Type:</b> 3432M	<b>Enclosure:</b> XPFC
-------------------------------	--------------------	------------------------

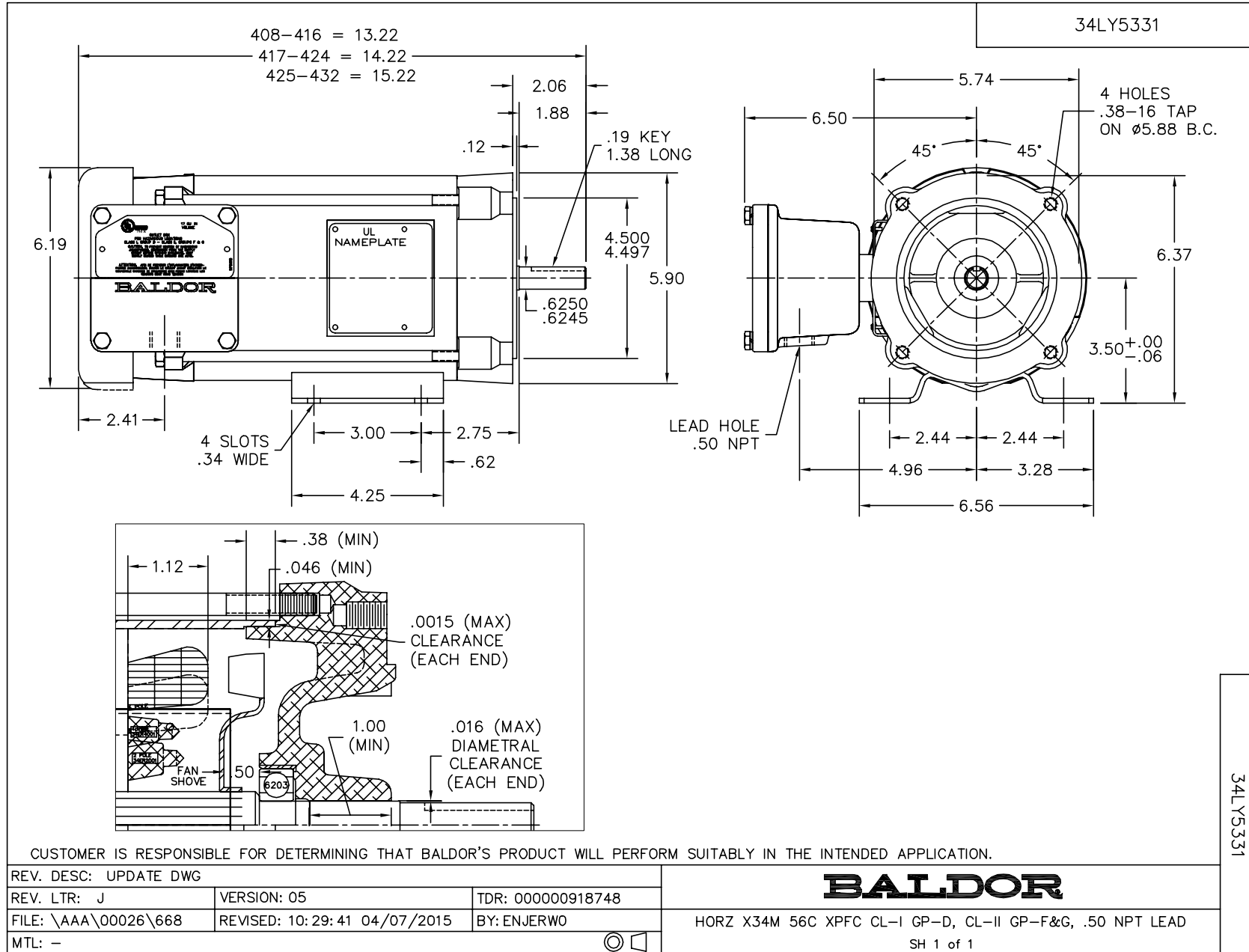
Nameplate Data				400 V, 50 Hz: High Voltage Connection	
Rated Output (HP)	1			Full Load Torque	3.7 LB-FT
Volts	230/400			Start Configuration	direct on line
Full Load Amps	3.45/2			Breakdown Torque	12.5 LB-FT
R.P.M.	1425			Pull-up Torque	9.8 LB-FT
Hz	50	Phase	3	Locked-rotor Torque	11.5 LB-FT
NEMA Design Code	B	KVA Code	K	Starting Current	12.1 A
Service Factor (S.F.)	1			No-load Current	1.2 A
NEMA Nom. Eff.	74	Power Factor	76	Line-line Res. @ 25°C	12.6 Ω
Rating - Duty	40C AMB-CONT			Temp. Rise @ Rated Load	76°C
				Locked-rotor Power Factor	59
				Rotor inertia	0.0762 LB-FT <sup>2</sup>

Load Characteristics 400 V, 50 Hz, 1 HP

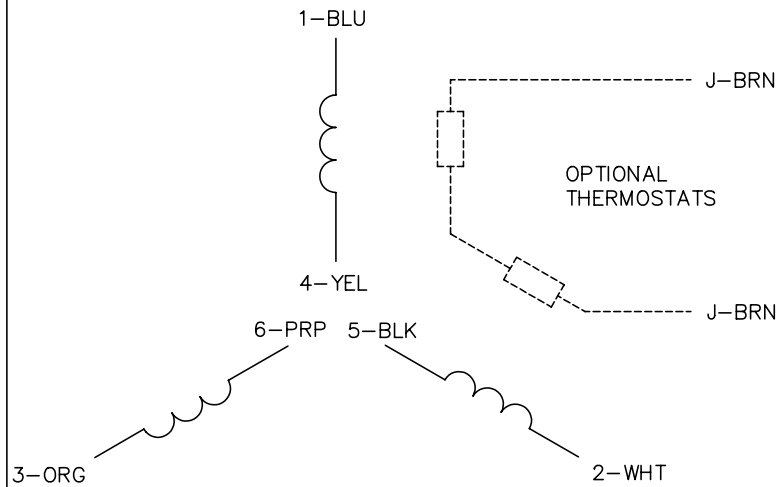
% of Rated Load	25	50	75	100	125	150
Power Factor	30	53	63	72	79	86
Efficiency	66.6	75.4	76.6	75.4	72.9	69.6
Speed	1480	1462	1443	1422	1398	1370
Line amperes	1.4	1.4	1.7	2	2.3	2.6

Performance Graph at 400V, 50Hz, 1.0HP Typical performance - Not guaranteed values

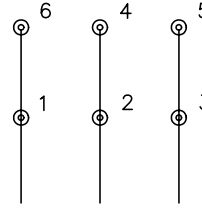




CD0022

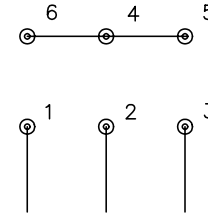


LOW VOLTAGE  
(1D)



LINE

HIGH VOLTAGE  
(1Y)



LINE

NOTES:

1. INTERCHANGE ANY TWO LINE LEADS TO REVERSE ROTATION.
2. OPTIONAL THERMOSTATS ARE PROVIDED WHEN SPECIFIED.
3. ACTUAL NUMBER OF INTERNAL PARALLEL CIRCUITS MAY BE A MULTIPLE OF THOSE SHOWN ABOVE.
4. LEAD COLORS ARE OPTIONAL. LEADS MUST ALWAYS BE NUMBERED AS SHOWN.

REV. DESC: REVISE TO SHOW OPTIONAL COLORS			
REV. LTR: F	BY: JLP	REVISED: 01/21/99 3:54	TDR: 0171435
CD0022		FILE: AAA00005144	MDL: -
		MTL: -	

**BALDOR ELECTRIC Co.**

3PH, DV, 6 LEADS, DELTA/WYE CONNECTION

CD0022