

# **BALDOR**® • **RELIANCE**

## **Product Information Packet**

# **ECP3663T**

**5HP,3505RPM,3PH,60HZ,184T,TEFC,FOOT,**

Part Detail							
Revision:	M	Status:	PRD/A	Change #:		Proprietary:	No
Type:	AC	Prod. Type:	0632M	Elec. Spec:	06WGW730	CD Diagram:	CD0005
Enclosure:	TEFC	Mfg Plant:		Mech. Spec:	06H003	Layout:	06LYH003
Frame:	184T	Mounting:	F1	Poles:	02	Created Date:	05-13-2010
Base:	RG	Rotation:	R	Insulation:	F	Eff. Date:	09-01-2016
Leads:	9#16					Replaced By:	
Literature:		Elec. Diagram:					

Nameplate NP3257E			
CAT.NO.	ECP3663T		
SPEC.	06H003W730G1		
HP	5	TE	
VOLTS	230/460		
AMP	11.4/5.7		
RPM	3490		
FRAME	184T	HZ	60
SER.F.	1.15	CODE	M DES A
RATING	40C AMB-CONT		
SN			
DE	6206	ODE	6205
NEMA-NOM-EFF	90.2	PF	90
G.MIN.EFF	88.5	CC	010A
T. CODE	T3C	T=	160
		PH	3
		CL	F

<b>Nameplate NP3260E</b>	
<b>SPEC.</b>	06H003W730G1
<b>D.E. BRG.</b>	30BC02XP30X
<b>O.D.E. BRG.</b>	25BC02XP30X
<b>GREASE</b>	POLYREX EM
<b>RPM MAX</b>	5400
	<b>MAX. KVAR</b> N/A
<b>BLANK</b>	
<b>INV. TYPE</b>	PWM
<b>T=</b>	160
<b>C HP FR</b>	60
<b>CT HZ FROM</b>	6
<b>VT HZ FROM</b>	3
<b>HTR-VOLTS</b>	
<b>HTR-WATTS</b>	
<b>C HP TO</b>	90
<b>CT HZ TO</b>	60
<b>VT HZ TO</b>	60
<b>HTR-AMPS</b>	
	<b>MAX. SPACE HEATER TEMP.</b>

Parts List		
Part Number	Description	Quantity
SA198464	SA 06H003W730G1	1.000 EA
RA185831	RA 06H003W730G1	1.000 EA
34FN3002B02	EXTERNAL FAN, PLASTIC, .905/.907 HUB W/	1.000 EA
HW3201A05	3/8-16 EYEBOLT	1.000 EA
06CB1000A02G	CONDUIT BOX, MACH GRAY	1.000 EA
RM1016	LEAD SEPARATOR GASKET - 305/306 C.P.MOTO	1.000 EA
51XW2520A12	SCREW, HEX SER SLT HD, ZN, 1/4-20 X .75	2.000 EA
11XW1032G06	10-32 X .38, TAPTITE II, HEX WSHR SLTD U	1.000 EA
HW3001B01	BRASS CUP WASHER, FOR #8 SCREW	1.000 EA
WD1000B16	T&B CX70TN TERMINAL	2.000 EA
10XN2520G06	1/4 20X3/8 HX HD CAP, GREEN	2.000 EA
36EP1101A65G	FR EP GREASER, .25-20 FAN CVR.HOLES,TEFC.	1.000 EA
HW4500A17	317400 ALEMITE GREASE RELIEF	1.000 EA
HA4054	SHORT T-DRAIN FITTING, .125" N.P.T.	1.000 EA
HW4500A01	1641B(ALEMITE)400 UNIV, GREASE FITT	1.000 EA
HA4051A00	PLASTIC CAP FOR GREASE FITTING	1.000 EA
HW5100A05	WVY WSHR F/205 & 304 BRGS	1.000 EA
36PE1100A29G	PUEP ASSEMBLY FOR ROUTING PURPOSES	1.000 EA
HW4500A17	317400 ALEMITE GREASE RELIEF	1.000 EA
HA4054	SHORT T-DRAIN FITTING, .125" N.P.T.	1.000 EA
HW4500A01	1641B(ALEMITE)400 UNIV, GREASE FITT	1.000 EA
HA4051A00	PLASTIC CAP FOR GREASE FITTING	1.000 EA
HA3101A53	THRUBOLT 1/4-20 X 10.50	4.000 EA
XY2520A12	1/4-20 HEX NUT, DIRECTIONAL SERRATIONS	4.000 EA

Parts List (continued)		
Part Number	Description	Quantity
06FH1004A01G	FAN HOUSING MACH, W/GRAY EPOXY	1.000 EA
10XN2520A24	1/4-20X 1 1/2 HEX HD X	3.000 EA
WD4100A02	DP-1000 HEYCO PLUG OR 62MP1000 MICRO PL	1.000 EA
06CB1502A01G	LIPPED CONDUIT BOX LID, MACH GRAY EPOXY	1.000 EA
06GS1003	GASKET, KOBX LID, 1/8" THICK BLACK NEOPR	1.000 EA
10XN2520A12	O1/4-20X 3/4 HEX HEAD CAP	2.000 EA
HW1001A25	LOCKWASHER 1/4, ZINC PLT .493 OD, .255 I	2.000 EA
HA1005A03SP	SLINGER, OD 1.750, ID .938, 205 BRG	1.000 EA
HW4600B36SP	V-RING SLINGER 1.188 X 1.690 X .24 VITON	1.000 EA
HW2501E16	3KEY, 1/4 SQ X 1.750	1.000 EA
HA7000A02	KEY RETAINER RING, 1 1/8 DIA, 1 3/8 DIA	1.000 EA
MJ5001A27	32220KN GRAY SEALER *MIN BUY 4 QTS=1GAL	0.001 QT
LB1115N	LABEL,LIFTING DEVICE (ON ROLLS)	1.000 EA
85XU0407S04	4X1/4 U DRIVE PIN STAINLESS	2.000 EA
LB1002N	LABEL,MARINE DUTY (ON ROLLS)	1.000 EA
MJ1000A02	GREASE, POLYREX EM EXXON (USe 4824-15A)	0.050 LB
51XB1214A16	12-14X1.00 HXWSSLD SERTYB	1.000 EA
MG1025N19	WILKOFASST, 778.50, RELIANCE BLUE-GREEN	0.028 GA
LB1119N	WARNING LABEL	1.000 EA
LC0005	CONN.DIA.,TY M,9-LD,DUAL VOLT,REVERSING	1.000 EA
LB1449	DIV-2/NEC WARNING LABEL	1.000 EA
NP3257E	SS CP SUPER-E DIV-2 UL CSA-C US EEV PREM	1.000 EA
NP3260E	SS CP SUPER-E AUX DATA INFORMATION	1.000 EA
85XU0407S04	4X1/4 U DRIVE PIN STAINLESS	2.000 EA

Product Information Packet: ECP3663T - 5HP,3505RPM,3PH,60HZ,184T,TEFC,FOOT,

---

36PA1001	PKG GRP, PRINT PK1017A06	1.000 EA
MN416A01	TAG-INSTAL-MAINT no wire (1200/bx) 11/14	1.000 EA

**AC Induction Motor Performance Data**

Record # 47071 - Typical performance - not guaranteed values

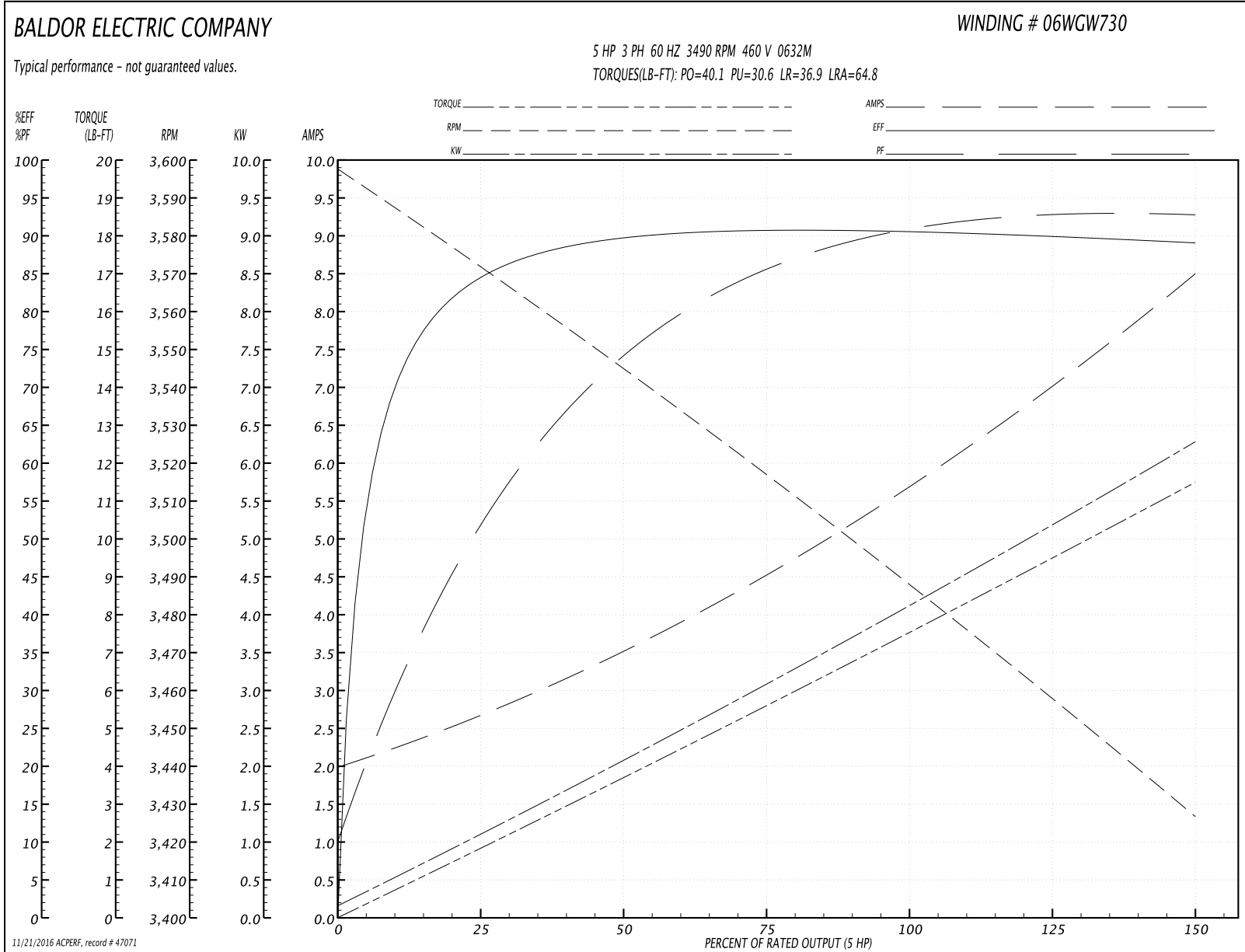
<b>Winding:</b> 06WGW730-R030	<b>Type:</b> 0632M	<b>Enclosure:</b> TEFC
-------------------------------	--------------------	------------------------

Nameplate Data				460 V, 60 Hz: High Voltage Connection	
Rated Output (HP)	5			Full Load Torque	7.54 LB-FT
Volts	230/460			Start Configuration	direct on line
Full Load Amps	11.4/5.7			Breakdown Torque	40.1 LB-FT
R.P.M.	3490			Pull-up Torque	30.6 LB-FT
Hz	60	Phase	3	Locked-rotor Torque	36.9 LB-FT
NEMA Design Code	A	KVA Code	M	Starting Current	64.8 A
Service Factor (S.F.)	1.15			No-load Current	2.08 A
NEMA Nom. Eff.	90.2	Power Factor	90	Line-line Res. @ 25°C	1.93 Ω
Rating - Duty	40C AMB-CONT			Temp. Rise @ Rated Load	51°C
S.F. Amps				Temp. Rise @ S.F. Load	62°C

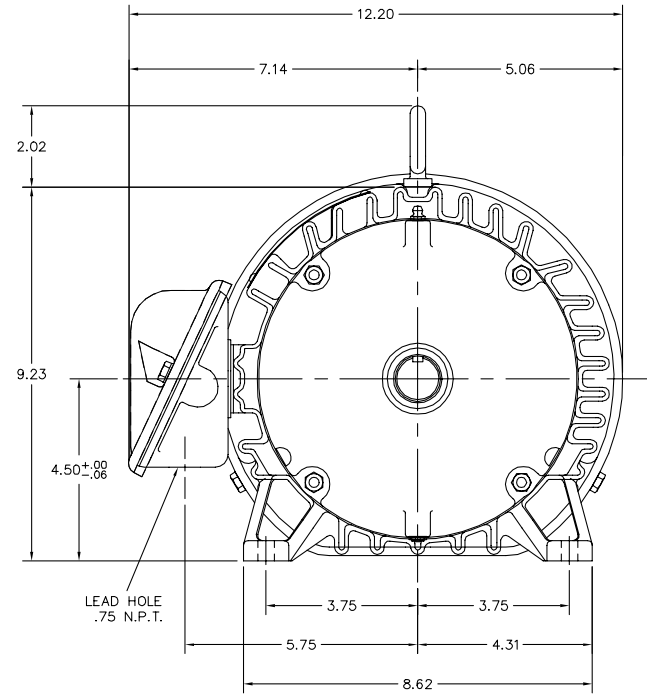
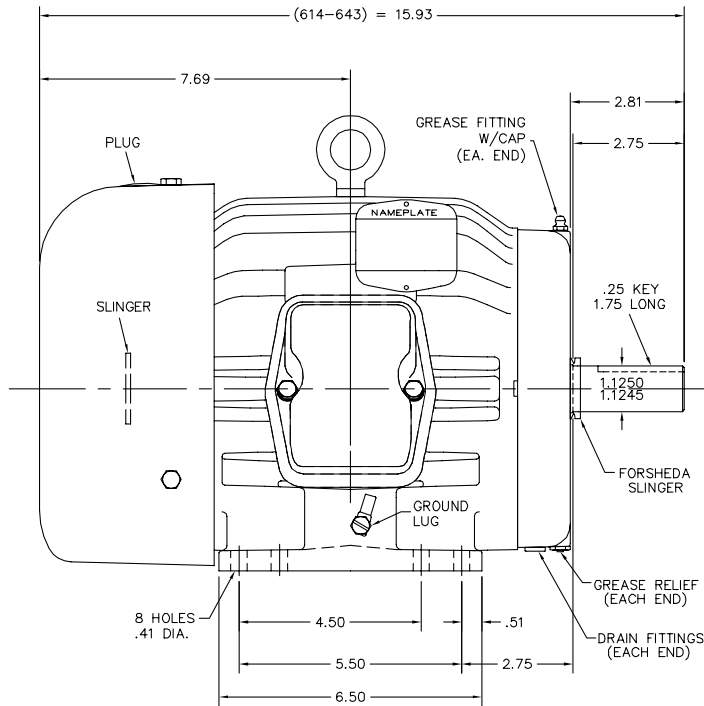
Load Characteristics 460 V, 60 Hz, 5 HP

% of Rated Load	25	50	75	100	125	150	S.F.
Power Factor	55	76	85	90	93	93	92
Efficiency	84.5	89.4	90.8	90.6	90	89	90.2
Speed	3570	3544	3517	3489	3458	3426	3470
Line amperes	2.54	3.47	4.6	5.76	7.03	8.46	6.52

Performance Graph at 460V, 60Hz, 5.0HP Typical performance - Not guaranteed values



06LYH003



06LYH003

CUSTOMER IS RESPONSIBLE FOR DETERMINING THAT BALDOR'S PRODUCT WILL PERFORM SUITABLY IN THE INTENDED APPLICATION.

REV. DESC: UPDATE STACKS TO BE 614-643.		
REV. LTR: L	VERSION: 03	TDR: 000000860940
FILE: \AAA\00004\931	REVISED: 12:09:56 07/03/2014	BY: ENJESMO
MTL: -		

**BALDOR**  
 STD HOR 182-4T TEFC M CP  
 SH 1 of 1

