

# **BALDOR**® • **RELIANCE**

## **Product Information Packet**

# **ECP84404T-5**

**75HP, 1185RPM, 3PH, 60HZ, 405T, A4072M, TEFC, F**

Part Detail							
Revision:	K	Status:	PRD/A	Change #:		Proprietary:	No
Type:	AC	Prod. Type:	A40064M	Elec. Spec:	A40WG0771	CD Diagram:	416820-036
Enclosure:	TEFC	Mfg Plant:		Mech. Spec:		Layout:	617429-511
Frame:	405T	Mounting:	F1	Poles:	06	Created Date:	07-16-2013
Base:		Rotation:	R	Insulation:	B	Eff. Date:	01-18-2017
Leads:	3#4					Replaced By:	
Literature:		Elec. Diagram:					

Nameplate NP3237												
CAT NO	ECP84404T-5	SPEC NO.	P40G3918									
HP	75	AMPS	69.5	VOLTS	575							
FRAME SIZE	405T	RPM	1185	HZ	60	AMB	40	SF	1.15	DESIGN	B	
D.E. BRG.DATA	6316	O.D.E. BRG.DATA	6316		PH	3		DUTY	CONT		INSUL.CLASS	F
D.E. BRG.	80BC03J30X	TYPE	P	ENCL	TEFC	CODE	G					
O.D.E. BRG.	80BC03J30X	POWER FACTOR	85		NEMA-NOM-EFFICIENCY	95						
3/4 LOAD EFF.	94.9	IP	56	MAX CORR KVAR	15							
TEMP CODE	T3	TEMP =	200									
CHP HZ	60-90	CT HZ	10-60		VT HZ	0-60						
INVERTER-TEMP-CODE	T3		MOTOR WEIGHT 1300									
SER.NO.												

Nameplate 000613007EX				
CAT NO	ECP84404T-5	SPEC NO.	P40G3918	
NO. ROTOR BARS	71	GREASE TYPE	POLYREX EM	
NO. SLOTS	90	NL AMPS AT RATED VOLTAGE	21	
5 YEAR WARRANTY		WINDING RES @25 C	0.1351	OHMS
MFG. DATE		SER.NO		

Parts List		
Part Number	Description	Quantity
SA267709	SA P40G3918	1.000 EA
RA254379	RA P40G3918	1.000 EA
NP3237	SS SUPER E INVERTER DUTY IEEE 841	1.000 EA
000613007EX	SS IEEE 841 EMBOSSED AUXILIARY NAMEPLATE	1.000 EA
000692000FF	N/P	1.000 EA
000692000JP	N/P	1.000 EA
000692000VD	LABEL WARNING	1.000 EA
000692000VH	N/P	1.000 EA
004824015A	GREASE POLYREX EM	0.884 LB
032018008CK	HHCS 3/8-16X1L PLATED	4.000 EA
032018020EK	HHCS 5/8-11X2-1/2 PLTD.	4.000 EA
032018024CK	HHCS 3/8-16X3 PLTD.	3.000 EA
034000014AB	WSH ID.406 OD.812 TH.065	4.000 EA
034180008DA	KEY 1/4X1/4X1 L (shipping)	1.000 EA
034530052BB	PP NIPP DE GRS F	1.000 EA
034530052AB	P/NIP 1/8X6-1/2 GALV.	1.000 EA
034631002AB	BUSH 1/4 TO 1/8 PLTD.	1.000 EA
035000001G	GREASE RELIEF FITTING, ALEMITE 317400	1.000 EA
078550001H	FAN KB 120/60 360	1.000 EA
083198101A	G400 STD FAN COVER MACHINING	1.000 EA
034692005AA	P PLUG 3/4"BLK.	1.000 EA
089412501C	G400 MACHD 6316 FT MNT BRKT 089412500WCA	1.000 EA
410700000DA	WAVY SPRING WASHER	1.000 EA
412118006A	DRAIN	1.000 EA

<b>Parts List (continued)</b>		
<b>Part Number</b>	<b>Description</b>	<b>Quantity</b>
415028021G	SEAL	1.000 EA
415072001B	CLAMP	1.000 EA
415096002A	CPLG 1/8 HEX TYPE	1.000 EA
423709011C	WASHER	3.000 EA
032018020EK	HHCS 5/8-11X2-1/2 PLTD.	4.000 EA
032018024CK	HHCS 3/8-16X3 PLTD.	3.000 EA
034530040AB	P/NIP 1/8X5 GALV.	1.000 EA
034530040BB	P/NIP 1/4X5	1.000 EA
034631002AB	BUSH 1/4 TO 1/8 PLTD.	1.000 EA
035000001G	GREASE RELIEF FITTING, ALEMITE 317400	1.000 EA
089412501C	G400 MACHD 6316 FT MNT BRKT 089412500WCA	1.000 EA
412118006A	DRAIN	1.000 EA
415028021G	SEAL	1.000 EA
415096002A	CPLG 1/8 HEX TYPE	1.000 EA
423709011C	WASHER	3.000 EA
032018010CK	HHCS 3/8-16X1-1/4 PLTD.	4.000 EA
033512008LB	HHTTS 1/4-20X1 PLATED	4.000 EA
034000014AB	WSH ID.406 OD.812 TH.065	4.000 EA
035000001A	ALFTG 1/8" 1610-BL	1.000 EA
035000001A	ALFTG 1/8" 1610-BL	1.000 EA
067053000B	GASK 320-400	1.000 EA
076708000BB	C/B - 360	1.000 EA
076709000A	C/B - 360	1.000 EA
406099000A	PLUG - FAN COVER 320-440	1.000 EA

Product Information Packet: ECP84404T-5 - 75HP,1185RPM,3PH,60HZ,405T,A4072M,TEFC,F

415000103H	TERMINAL LUG	1.000 EA
415039016A	TERBD, 360-400	1.000 EA
418150003A	GREASE FITTING CAP	1.000 EA
418150003A	GREASE FITTING CAP	1.000 EA
033775004EA	DRSCR #6-1/4 304 S.S.	4.000 EA
034180044JA	KEY 3/4X3/4X5-1/2 L	1.000 EA
MG1025N19	WILKO 778.50 BLUE GREEN - 55 GAL DRUMS	0.375 GA
004824003CBY	WILKO PAINT 060.02 - ACTIVATOR	0.063 GA
482403003BEF	RUST VETO 342	0.013 GA
MG1500G03-5	LACQUER PRIMER, GRAY	0.063 GA
421948051	LABEL, MYLAR	1.000 EA
PK5004A02	WOOD BASE 40X32 STACK 2X4 RUNNER	1.000 EA
000613006PU	N/P (RELEASE QTY 10,000) UL CSA LABLE	1.000 EA
LB1449	DIV-2/NEC WARNING LABEL	1.000 EA
032018005DL	1/2-13 X 5/8 SILICON BRONZE HHCS	1.000 EA


REL. S.O.	FRAME	HP	TYPE	PHASE/ HERTZ	RPM	VOLTS
	405T	75	P	3/60	1185	575
AMPS	DUTY	AMB °C/ INSUL.	S.F.	NEMA DESIGN	CODE LETTER	ENCL.
69.5	CONT	40/F	1.15	B	G	TEFC-841
E/S	ROTOR	TEST S.O.	TEST DATE	STATOR RES. @25 °C OHMS (BETWEEN LINES)		
496235	418142-71-BE	---	---	.134		

PERFORMANCE						
LOAD	HP	AMPERES	RPM	POWER FACTOR %	EFFICIENCY %	
NO LOAD	0	24.8	1200	4.11	0	
1/4	18.8	29.7	1197	51.1	92.5	
2/4	37.5	40.6	1194	73.0	95.0	
3/4	56.2	54.2	1190	81.6	95.3	
4/4	75.0	69.5	1187	85.1	95.0	
5/4	93.8	86.3	1183	86.2	94.4	

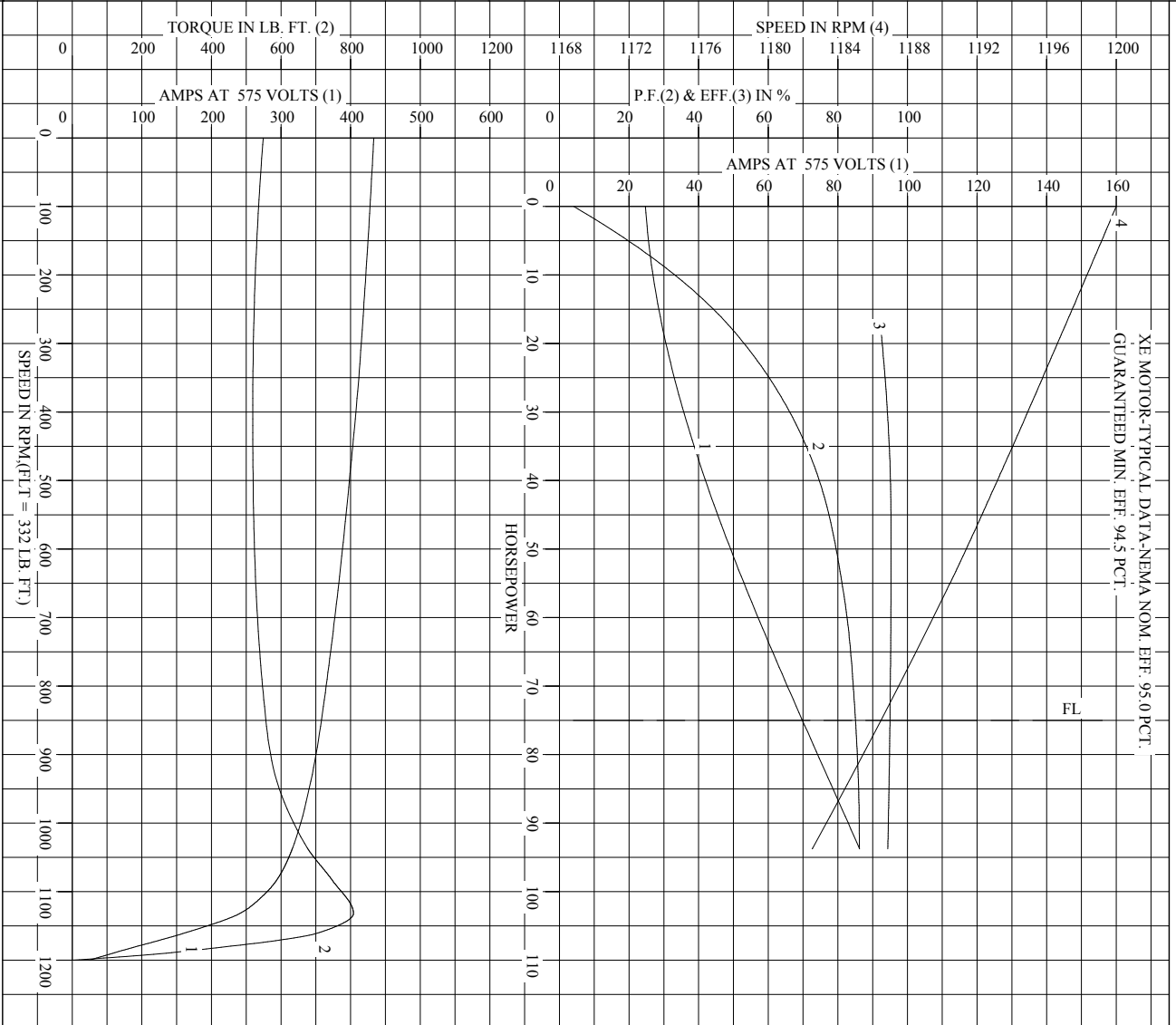
SPEED TORQUE						
	RPM	TORQUE % FULL LOAD	TORQUE LB.-FT.	AMPERES		
LOCKED ROTOR	0	165	549	433		
PULL UP	400	156	519	408		
BREAKDOWN	1132	243	808	241		
FULL LOAD	1187	100	332	69.5		

AMPERES SHOWN FOR 575. VOLT CONNECTION. IF OTHER VOLTAGE CONNECTIONS ARE AVAILABLE, THE AMPERES WILL VARY INVERSELY WITH THE RATED VOLTAGE

REMARKS: TYPICAL DATA  
 XE MOTOR-TYPICAL DATA-NEMA NOM. EFF. 95.0 PCT.  
 GUARANTEED MIN. EFF. 94.5 PCT.

 A MEMBER OF THE ABB GROUP	DR. BY B. R. PENDLEY	<b>A-C MOTOR</b> <b>PERFORMANCE DATA</b> A40WG0771-R001 ISSUE DATE 05/24/13
	CK. BY D. M. BYRD APP. BY D. M. BYRD DATE 04/08/11	

REL. S.O. \_\_\_\_\_ RPM 1185 S.F. 1.15 ROTOR 418142-71-EE  
 FRAME 405T VOLTS 575 NEMA DESIGN B TEST S.O. TYPICAL DATA  
 HP 75 AMPS 69.5 CODE LETTER G TEST DATE ---  
 TYPE P DUTY CONT ENCLOSURE TEFC-841 STATOR RES. @ 25 °C .134  
 PHASE/HERTZ 3/60 AMB °C/INSUL 40/F E/S 496235 OHMS (BETWEEN LINES)



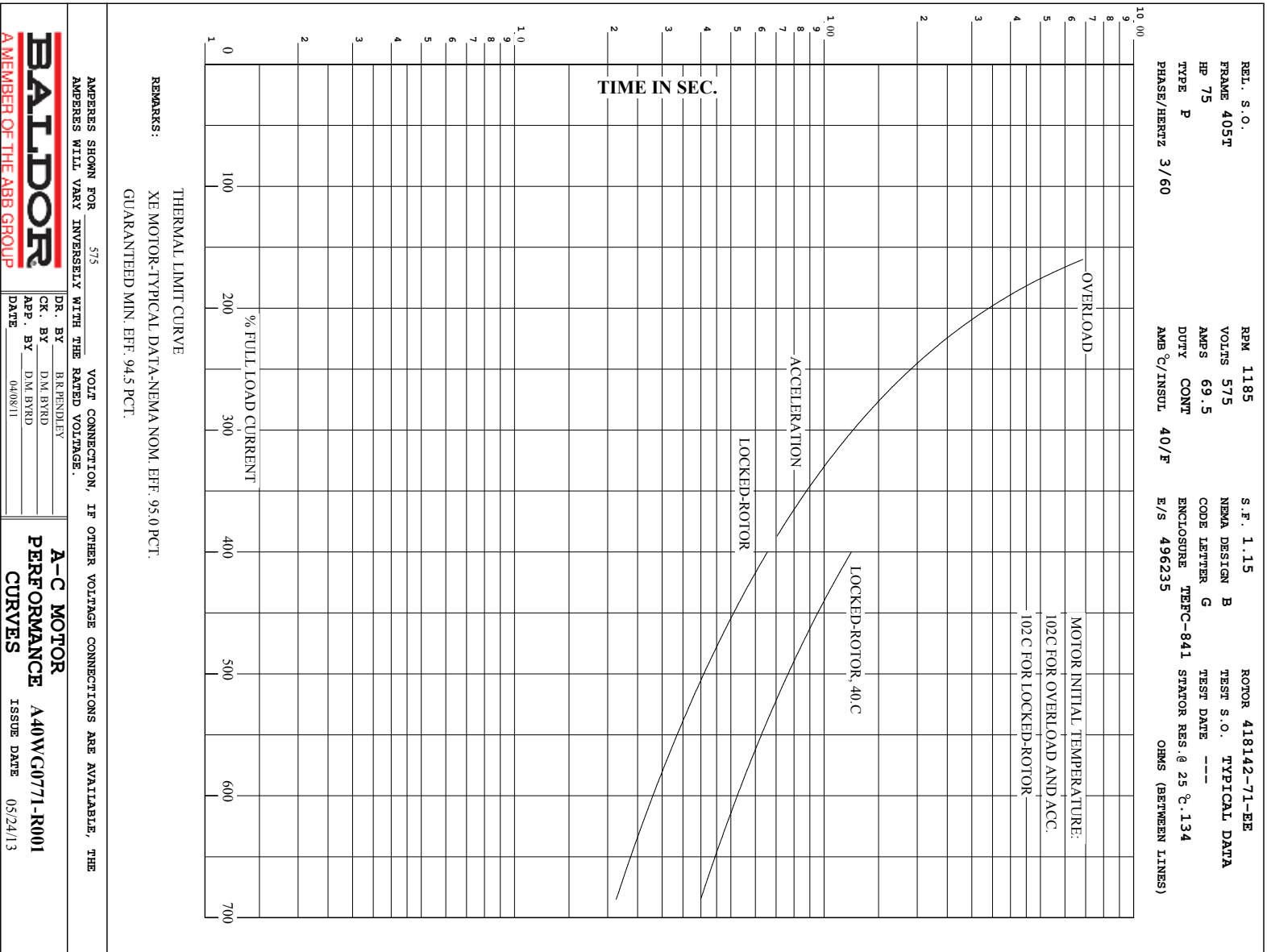
AMPERES SHOWN FOR 575 VOLT CONNECTION, IF OTHER VOLTAGE CONNECTIONS ARE AVAILABLE, THE AMPERES WILL VARY INVERSELY WITH THE RATED VOLTAGE.

**BALDOR**  
 A MEMBER OF THE ABB GROUP

DR. BY B.R. PENDLEY  
 CK. BY D.M. BYRD  
 APP. BY D.M. BYRD  
 DATE 04/08/11

**A-C MOTOR PERFORMANCE CURVES**  
 A40W/G0771-R001  
 ISSUE DATE 05/24/13

Printed on 5/24/13 14:03 @ pscs-motoreng



REMARKS: THERMAL LIMIT CURVE  
 XE MOTOR-TYPICAL DATA-NEMA NOM. EFF. 95.0 PCT.  
 GUARANTEED MIN. EFF. 94.5 PCT.

AMPERES SHOWN FOR 575 VOLT CONNECTION, IF OTHER VOLTAGE CONNECTIONS ARE AVAILABLE, THE AMPERES WILL VARY INVERSELY WITH THE RATED VOLTAGE.

<b>BALDOR</b> A MEMBER OF THE ABB GROUP	DR. BY B.R. BRINDLEY
	CK. BY D.M. BYRD
	APP. BY D.M. BYRD
	DATE 04/08/11

**A-C MOTOR PERFORMANCE CURVES**

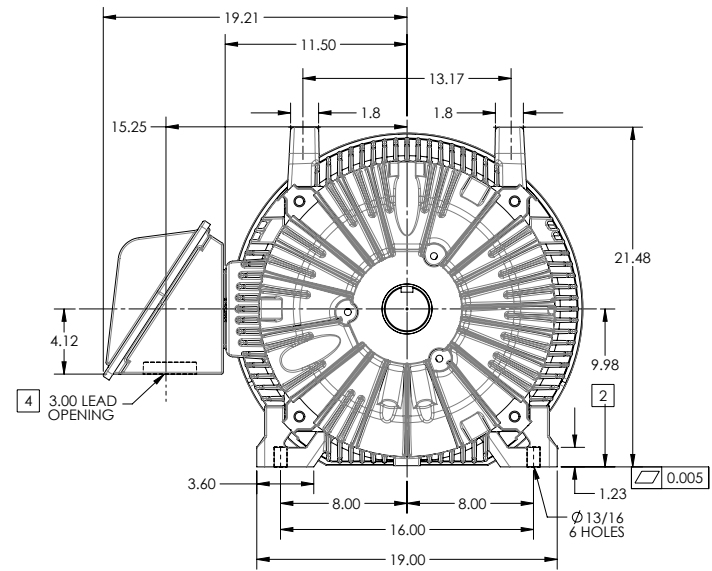
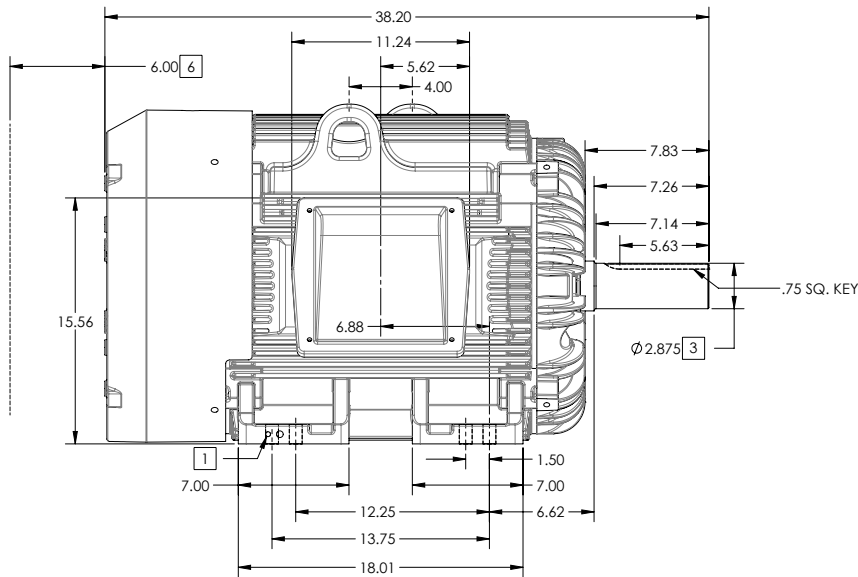
A40WG0771-R001  
ISSUE DATE 05/24/13

**DUTY MASTER ALTERNATING CURRENT MOTORS**  
SQUIRREL-CAGE INDUCTION

ENCLOSURE: TOTALLY ENCLOSED  
MOUNTING: FOOT

FRAME G405T ABOVE NEMA RATINGS  
INCLUDES 404T FRAME MOUNTING HOLES

COOLING: FAN COOLED  
841XL ENCLOSURE ENHANCEMENT



1. GROUND HOLES QTY 1 1/2-13 TAP; QTY 1 3/8-16 TAP
2. VARIES +.00,-.06
3. VARIES +.00,-.001
4. ON STANDARD MOTORS THIS IS CONDUIT SIZE. ON XT AND CORROSION PROOF MOTOR THIS IS PIPE TAP.
5. MOTOR WEIGHTS MAY VARY BY 15% DEPENDING ON RATING.
6. OBSTRUCTION MUST NOT ENCROACH ON AIR INLET

[5] WEIGHT (LBS): 1370

CONDUIT BOX LOCATED ON OPPOSITE SIDE WHEN F-2.  
IF MOUNTING CLEARANCE DETAILS ARE REQUIRED, CONSULT FACTORY.  
MAXIMUM PERMISSIBLE SHAFT RUNOUT WHEN MEASURED AT END OF STANDARD SHAFT EXTENSION IS .0015" T.I.R. TO 5 INCH DIA.

DIMENSIONS ARE IN INCHES; SEE SHEET 2 FOR DIMENSIONS IN MILLIMETERS

CUSTOMER IS RESPONSIBLE FOR DETERMINING THAT MOTOR PERFORMANCE IS SUITABLE IN THE APPLICATION.

SHEET NUMBER  
**1 OF 2**

115-627219

REV. DESC: CHANGE BA FROM 6.76 TO 6.62	TDR: 00000848770
REV: B VERSION: 02	REVISED: 02/26/17 04/14/2014
MODEL NO. 617429-511	REF:
BY: MGHM22	Material:

**BALDOR**

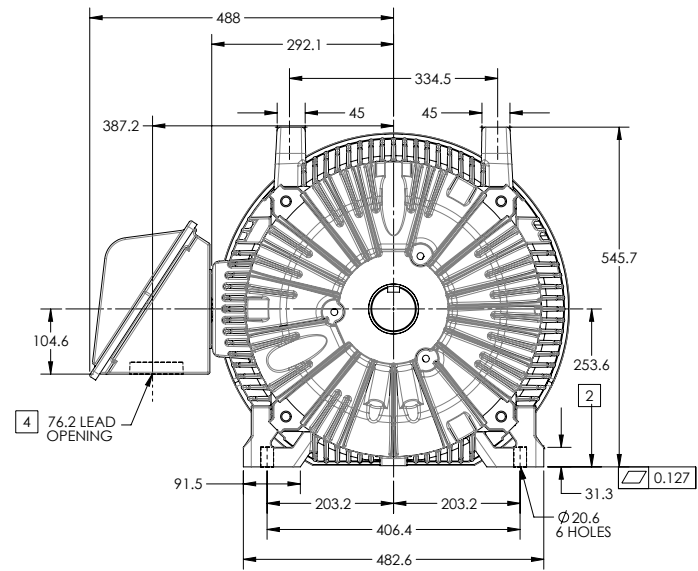
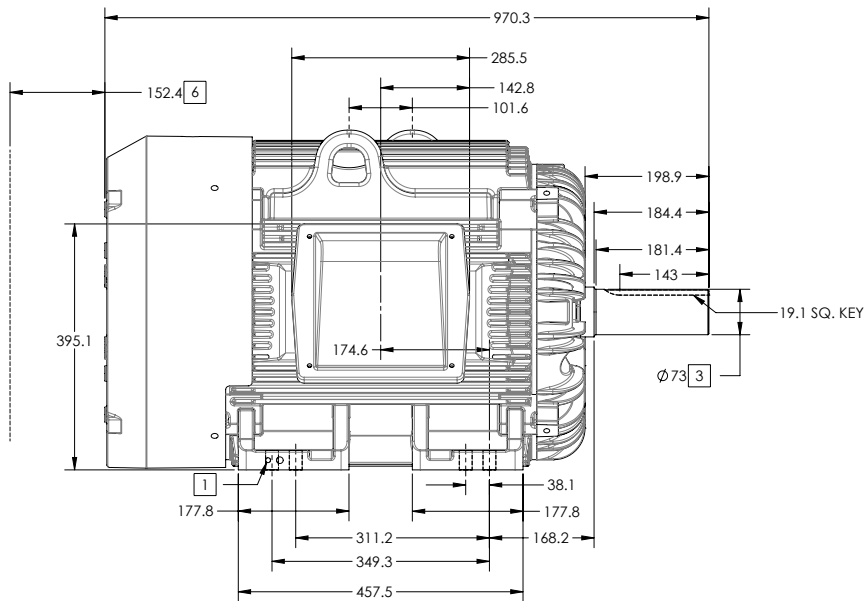
G405T-404T STD - FOOTED - 841XL/ECP SEVERE DUTY ENCLOSURE

**DUTY MASTER ALTERNATING CURRENT MOTORS**  
SQUIRREL-CAGE INDUCTION

ENCLOSURE: TOTALLY ENCLOSED  
MOUNTING: FOOT

FRAME G405T ABOVE NEMA RATINGS  
INCLUDES 404T FRAME MOUNTING HOLES

COOLING: FAN COOLED  
841XL ENCLOSURE ENHANCEMENT



1. GROUND HOLES QTY 1 1/2-13 TAP; QTY 1 3/8-16 TAP
2. VARIES +0,-1.5
3. VARIES +00,-.03
4. ON STANDARD MOTORS THIS IS CONDUIT SIZE. ON XT AND CORROSION PROOF MOTOR THIS IS PIPE TAP.
5. MOTOR WEIGHTS MAY VARY BY 15% DEPENDING ON RATING.
6. OBSTRUCTION MUST NOT ENCROACH ON AIR INLET

[5] WEIGHT (KGS): 630

CONDUIT BOX LOCATED ON OPPOSITE SIDE WHEN F-2.  
IF MOUNTING CLEARANCE DETAILS ARE REQUIRED, CONSULT FACTORY.  
MAXIMUM PERMISSIBLE SHAFT RUNOUT WHEN MEASURED AT END OF STANDARD SHAFT EXTENSION IS .04 MM T.I.R. TO 127 MM DIA.

DIMENSIONS ARE IN MILLIMETERS; SEE SHEET 1 FOR DIMENSIONS IN INCHES

CUSTOMER IS RESPONSIBLE FOR DETERMINING THAT MOTOR PERFORMANCE IS SUITABLE IN THE APPLICATION.

SHEET NUMBER  
**2 OF 2**

115-672119

REV. DESC: CHANGE BA FROM 6.76 TO 6.62	TDR: 00000848770
REV: B VERSION: 02	REVISED: 02/16/17 04/14/2014
MODEL NO. 617429-511	REF:
BY: MGHMMZ	Material:

**BALDOR**

G405T-404T STD - FOOTED - 841XL/ECP SEVERE DUTY ENCLOSURE

416820-036

A-C MOTOR  
 CONNECTION DIAGRAM  
 STANDARD 3 LEAD CONNECTED



(N.P. 1575-BA)

416820-036

REV. DESC: LOADED TO BUS, C/R 335225		
REV. LTR: -	VERSION: 00	TDR: 000000538207
FILE: \MGA\00000\682	REVISED: 11:54:06 04/30/2010	
MTL: -	BY: RAGRA	

**BALDOR**

CONN DIAG - STANDARD 3 LEAD

SH 1 of 1

Marketing maintained PDF of MN408:

<http://www.baldor.com/support/Literature/Load.ashx/MN408?ManNumber=MN408>

Marketing maintained PDF of MN416:

<http://www.baldor.com/support/Literature/Load.ashx/MN416?ManNumber=MN416>