

BALDOR® • **RELIANCE**

Product Information Packet

EHM3218TA

5HP,1750RPM,3PH,60HZ,184T,3640M,OPSB,F3

Part Detail							
Revision:	L	Status:	PRD/A	Change #:		Proprietary:	No
Type:	AC	Prod. Type:	3640M	Elec. Spec:	36WGS536	CD Diagram:	CD0007
Enclosure:	OPSB	Mfg Plant:		Mech. Spec:	36H650	Layout:	36LYH650
Frame:	184T	Mounting:	F3	Poles:	04	Created Date:	07-09-2010
Base:	RG	Rotation:	R	Insulation:	F	Eff. Date:	11-06-2015
Leads:	12#16					Replaced By:	
Literature:		Elec. Diagram:					

Nameplate NP2601L											
CAT.NO.	EHM3218TA										
SPEC.	36H650S536E7										
HP	5										
VOLTS	230/460										
AMP	13.2/6.6										
RPM	1750										
FRAME	184T					HZ	60		PH	3	
SER.F.	1.15					CODE	J	DES	B	CL	F
NEMA-NOM-EFF	89.5					PF	80				
RATING	40C AMB-CONT										
CC	010A							USABLE AT 208V	14		
DE	6206					ODE	6205				
ENCL	OPSB					SN					

Parts List		
Part Number	Description	Quantity
SA199711	SA 36H650S536E7	1.000 EA
RA187038	RA 36H650S536E7	1.000 EA
TPBYV35KR	THERMAL 3PH 1.25 AUT 135C	1.000 EA
TP5059	GENERIC THERMAL KIT	1.000 EA
36CB3004A03	36 CB 1.09 @ 6 & 12, 1.25 ATO @ 9	1.000 EA
36GS1000SP	GASKET-CONDUIT BOX, .06 THICK #SV-330 LE	1.000 EA
WD4100A05	DP-1093 HEYCO PLUG OR 62MP1093 MICOR PL	1.000 EA
51XB1016A08	10-16X 1/2HXWSSLD SERTYB	2.000 EA
HA6015A09	THERMAL RETAINER PLATED	1.000 EA
51XB1214A10	12-14 X 5/8HX WS SL SR TYBX	2.000 EA
11XW1032G06	10-32 X .38, TAPTITE II, HEX WSHR SLTD U	1.000 EA
36EP3200A02	FR ENDPLATE, MACH	1.000 EA
HW5100A05	WVY WSHR F/205 & 304 BRGS	1.000 EA
36EP3201A02	FR/PU ENDPLATE, MACH	1.000 EA
XY2520A12	1/4-20 HEX NUT, DIRECTIONAL SERRATIONS	4.000 EA
36CB4516	36 LIPPED CB LID	1.000 EA
37GS1001SP	GASKET, CONDUIT BOX LID, .06 THICK LEXID	1.000 EA
51XW0832A07	8-32 X .44, TAPTITE II, HEX WSHR SLTD SE	4.000 EA
HW2501E16	3KEY, 1/4 SQ X 1.750	1.000 EA
HA7000A02	KEY RETAINER RING, 1 1/8 DIA, 1 3/8 DIA	1.000 EA
85XU0407S04	4X1/4 U DRIVE PIN STAINLESS	2.000 EA
LB1201	LABEL - PERM. LUBRICATED TDR#47800	1.000 EA
HA6362ZP	LIFTING LUG FOR 36 FRAME MOTORS.	1.000 EA
MJ1000A02	GREASE, POLYREX EM EXXON (USe 4824-15A)	0.050 LB

Parts List (continued)		
Part Number	Description	Quantity
MG1000Y03	MUNSELL 2.53Y 6.70/ 4.60, GLOSS 20,	0.022 GA
HA3101A40	THRUBOLT 1/4-20 X 12.687	4.000 EA
36AD2004A01	BAFFLE PLATE,MOD 36-SLTD BAND MTRS DELTA	2.000 EA
LB1115N	LABEL,LIFTING DEVICE (ON ROLLS)	1.000 EA
LB1118	LABEL,WARNING (ROLL LABEL)	1.000 EA
LC0007	CONNECTION LABEL	1.000 EA
NP2601L	ALUM SUPER-E UL CSA-EEV PREM CC THERMAL	1.000 EA
36PA1001	PKG GRP, PRINT PK1017A06	1.000 EA
MN416A01	TAG-INSTAL-MAINT no wire (1000/bx) 11/14	1.000 EA

AC Induction Motor Performance Data

Record # 32558 - Typical performance - not guaranteed values

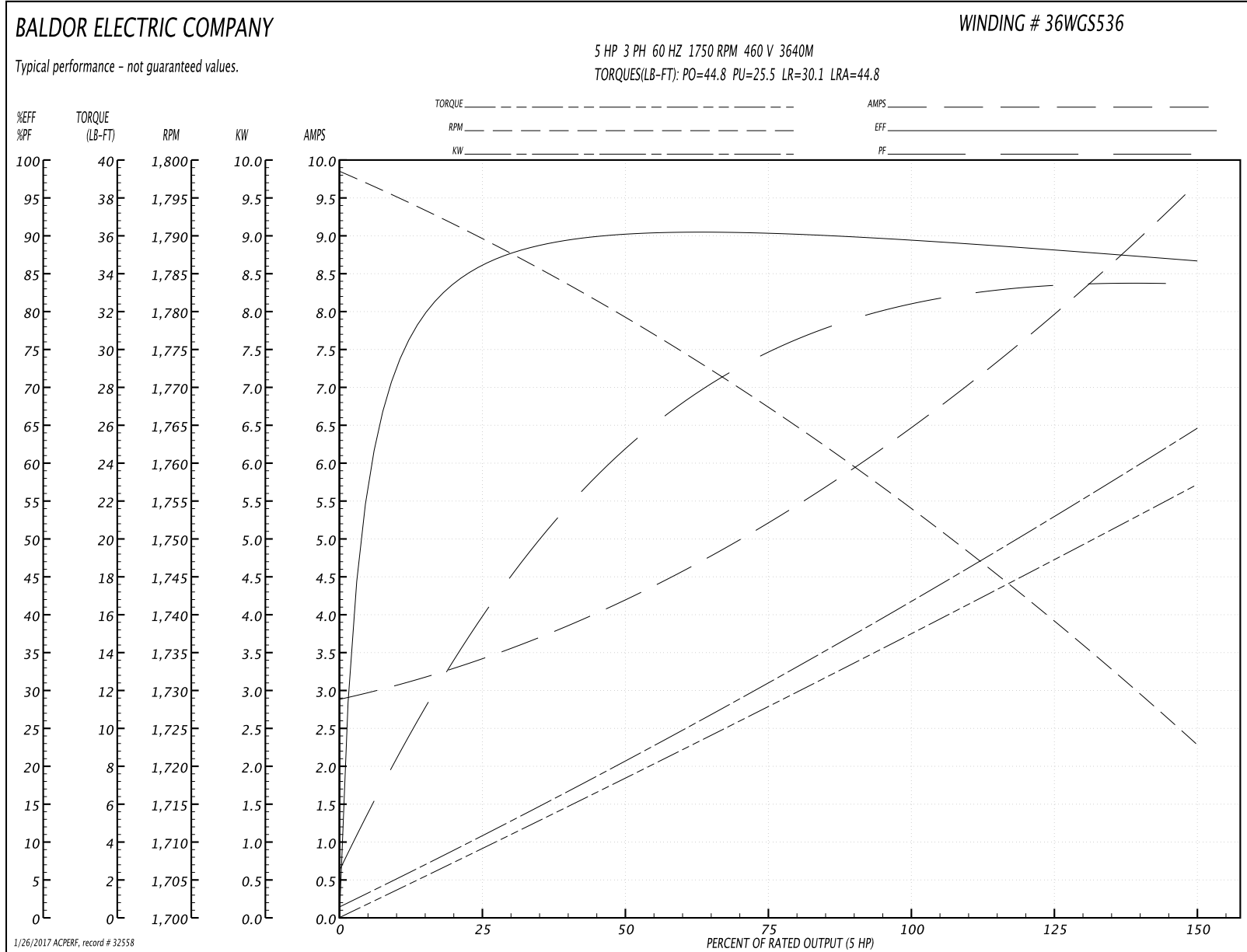
Winding: 36WGS536-R005	Type: 3640M	Enclosure: OPSB
-------------------------------	--------------------	------------------------

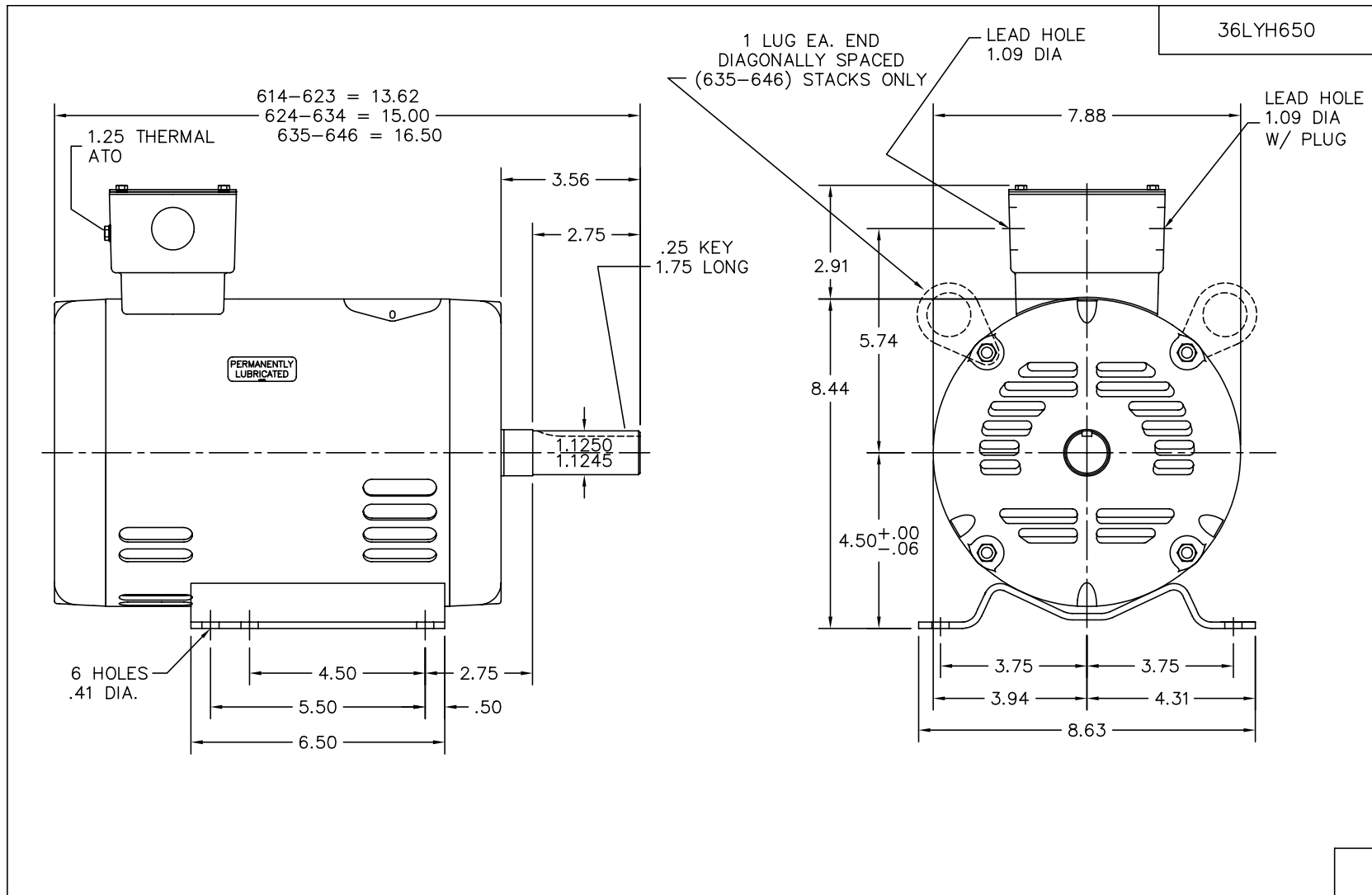
Nameplate Data				460 V, 60 Hz: High Voltage Connection	
Rated Output (HP)	5			Full Load Torque	15 LB-FT
Volts	230/460			Start Configuration	direct on line
Full Load Amps	13.2/6.6			Breakdown Torque	44.8 LB-FT
R.P.M.	1750			Pull-up Torque	25.5 LB-FT
Hz	60	Phase	3	Locked-rotor Torque	30.1 LB-FT
NEMA Design Code	B	KVA Code	J	Starting Current	44.8 A
Service Factor (S.F.)	1.15			No-load Current	2.97 A
NEMA Nom. Eff.	89.5	Power Factor	80	Line-line Res. @ 25°C	2.62 Ω
Rating - Duty	40C AMB-CONT			Temp. Rise @ Rated Load	44°C
S.F. Amps				Temp. Rise @ S.F. Load	54°C
				Locked-rotor Power Factor	41
				Rotor inertia	0.372 LB-FT ²

Load Characteristics 460 V, 60 Hz, 5 HP

% of Rated Load	25	50	75	100	125	150	S.F.
Power Factor	42	63	75	80	83	84	82
Efficiency	85.4	89.8	90.2	89.6	88.5	86.5	88.9
Speed	1789	1779	1767	1754	1740	1722	1746
Line amperes	3.32	4.13	5.25	6.57	8.03	9.65	7.45

Performance Graph at 460V, 60Hz, 5.0HP Typical performance - Not guaranteed values

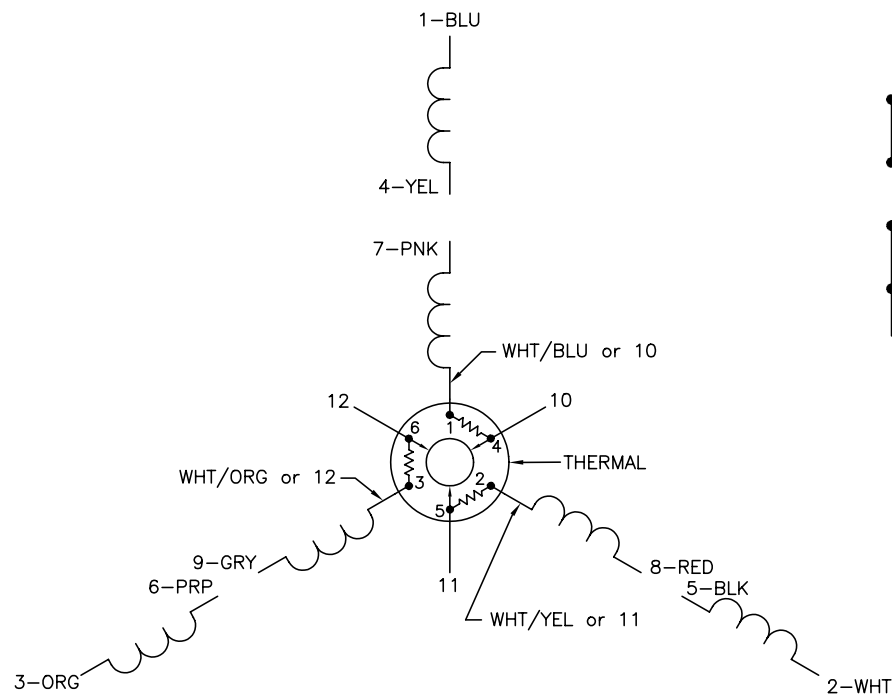




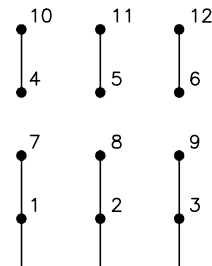
CUST. NAME		CUST. P.O.		CERTIFIED BY		MODEL		INSUL		AMB							
H.P.		MTG		TYPE		R.P.M.		VOLTS		ENCL		PHASE		FREQ		FRAME	
REV. DESC: CHANGED TO NEW NEC CONDUIT BOX												BALDOR ELECTRIC Co.					
REV. LTR: A		BY: SSS		REVISED: 12/15/98 10:39		TDR: 0169072											
099HΛ79ϵ		FILE: AAA00035730		MDL: -													
Mtl: -												HORZ 182-4T OPSB 36M W/ATO IN KOBX, & NP @ 12:00					

36LYH650

CD0007

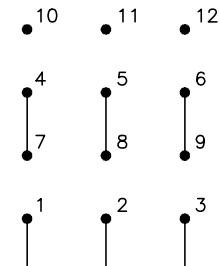


LOW VOLTAGE
(2Y)



LINE

HIGH VOLTAGE
(1Y)



LINE

NOTES:

1. INTERCHANGE ANY TWO LINE LEADS TO REVERSE ROTATION.
2. ACTUAL NUMBER OF INTERNAL PARALLEL CIRCUITS MAY VARY.
3. LEAD COLORS ARE OPTIONAL. LEADS MUST ALWAYS BE NUMBERED AS SHOWN.

REV. DESC: ADDED "CK" PLANT CODE			
REV. LTR: E	BY: EAH	REVISED: 05/06/99 17:1	TDR: 0181040
L00000		FILE: AAA00008370	MDL: -
		MTL: -	

BALDOR ELECTRIC Co.

3PH, DV, THERMAL, 12 LEADS

CD0007