

BALDOR® • RELIANCE

Product Information Packet

EJPM71147T-I

7.5//5HP, 1770//1470RPM, 3PH, 60//50HZ, 213T

Part Detail							
Revision:	H	Status:	PRD/A	Change #:		Proprietary:	No
Type:	AC	Prod. Type:	0738M	Elec. Spec:	07WGX790	CD Diagram:	CD0005
Enclosure:	XPFC	Mfg Plant:		Mech. Spec:	07K202	Layout:	07LYK202
Frame:	213TCZ	Mounting:	F1	Poles:	04	Created Date:	04-02-2012
Base:	RG	Rotation:	R	Insulation:	F	Eff. Date:	04-21-2016
Leads:	9#14					Replaced By:	
Literature:		Elec. Diagram:					

Nameplate NP0977XPSLEV											
NO.							CC	010A			
SER.								TEMP CODE	T3C		
SPEC.	07K202X790G3										
CAT.NO.	EJPM71147T-I										
HP	7.5//5										
VOLTS	230/460//190/380										
AMPS	19/9.5//16/8										
RPM	1770//1470						MOTOR WEIGHT	225			
HERTZ	60//50			PH	3	CL	F	DE BRG	6307		
SER.F.	1.15			DES	A	CODE	J	ODE BRG	6206		
FRAME	213TCZ			GREASE	POLYREX EM						
RATING	55C AMB-CONT										
USABLE AT 208V							NEMA-NOM-EFF	91.7		PF	81
	NEMA MG-1 PT 5,IP55										

Parts List		
Part Number	Description	Quantity
SA242017	SA 07K202X790G3	1.000 EA
RA228930	RA 07K202X790G3	1.000 EA
37FN3002C01	EXFN, PLASTIC, 6.00 OD, 1.155 ID	1.000 EA
HA3210E08	.250X 7/8 PIN 312-57	1.000 EA
HW3201A05	3/8-16 EYEBOLT	1.000 EA
07CB1000A01	CONDUIT BOX MACH	1.000 EA
10XN3118A16	5/16-18X1 HEX HD CAP	4.000 EA
HW1001A31	LOCKWASHER 5/16, ZINC PLT.591 OD, .319 I	4.000 EA
11XW1032G06	10-32 X .38, TAPTITE II, HEX WSHR SLTD U	1.000 EA
WD1000B17	T&B CX35TN TERMINAL	1.000 EA
07EP1707A17	FREP XP GR C W/DRAINS, GRSRS	1.000 EA
HW4500A19	1/4-28X1/4 SLOTTED PLUG F/S	2.000 EA
HW4506A02	BREATHER/DRAIN-EXP PROOF-.125-27 NPTF AI	1.000 EA
HW3022E05	.125 DIA X .500 ROLLED SPRING PIN	1.000 EA
10XN3816K28	3/8-16 X 1.75 HEX HD CAP SCREW, GRADE 5	4.000 EA
HW1001A38	LOCKWASHER 3/8, ZINC PLT .688 OD, .382 I	4.000 EA
HW5100A06	W2420-025 WVY WSHR (WB)	1.000 EA
07EP1708A12	PUEP 213-5TC 307M "DRILL RIG DUTY" SLING	1.000 EA
HW4500A19	1/4-28X1/4 SLOTTED PLUG F/S	2.000 EA
HW4506A02	BREATHER/DRAIN-EXP PROOF-.125-27 NPTF AI	1.000 EA
HW3022E05	.125 DIA X .500 ROLLED SPRING PIN	1.000 EA
10XN3816K28	3/8-16 X 1.75 HEX HD CAP SCREW, GRADE 5	4.000 EA
HW1001A38	LOCKWASHER 3/8, ZINC PLT .688 OD, .382 I	4.000 EA
10XN2520A32	1/4 X 2 HEX HEAD CAP SCR, GRADE 2	4.000 EA

Parts List (continued)		
Part Number	Description	Quantity
HW1001A25	LOCKWASHER 1/4, ZINC PLT .493 OD, .255 I	4.000 EA
HA6059A05	ADAPTER FOR 8.50" RABBET TO 4.50" RABBET	1.000 EA
84XN5013J16S	1/2-13 X 1 LOW HEAD HEX SOC HD, GRADE 8	4.000 EA
07FH1003A01	STANDARD 307 EXPLOSION PROOF FAN HOUSING	1.000 EA
10XN2520A12	O1/4-20X 3/4 HEX HEAD CAP	4.000 EA
07CB1502A01	CONDUIT BOX LID MACH (DUCTILE IRON)	1.000 EA
84XN2520J16	1/4-20 X 1 SOC HD CAP SCREW	4.000 EA
HW1001A25	LOCKWASHER 1/4, ZINC PLT .493 OD, .255 I	4.000 EA
HA2065A02	SLINGER, ALUM MODLE 36 & 37 DRILL RIG MT	1.000 EA
80XN1032A07	SET SCREW, HEX XOCK, ZN	1.000 EA
HW2501D14	KEY, 3/16 SQ X 1.500	1.000 EA
HA7000A01	KEY RETAINER 7/8" DIA SHAFT	1.000 EA
LB1081F	ALUM XP CAUTION LABEL (FS PLANT ONLY-	1.000 EA
LB1115N	LABEL,LIFTING DEVICE (ON ROLLS)	1.000 EA
85XU0407S04	4X1/4 U DRIVE PIN STAINLESS	6.000 EA
MJ1000A02	GREASE, POLYREX EM EXXON (USe 4824-15A)	0.050 LB
51XB1214A20	12-14X1.25 HXWSSLD SERTYB	1.000 EA
MG1025G29	WILKOFASST, 789.229, DARK CHARCOAL GRAY	0.036 GA
LB1119N	WARNING LABEL	1.000 EA
LC0145B01	CONNECTION LABEL	1.000 EA
NP0977XPSLEV	SS XP UL CSA-EEV CC CL-I GP-C&D	1.000 EA
07PA1011	PKG GRP, 07 CAST IRON PK1181	1.000 EA
MN416A01	TAG-INSTAL-MAINT no wire (1000/bx) 11/14	1.000 EA

AC Induction Motor Performance Data

Record # 39055 - Typical performance - not guaranteed values

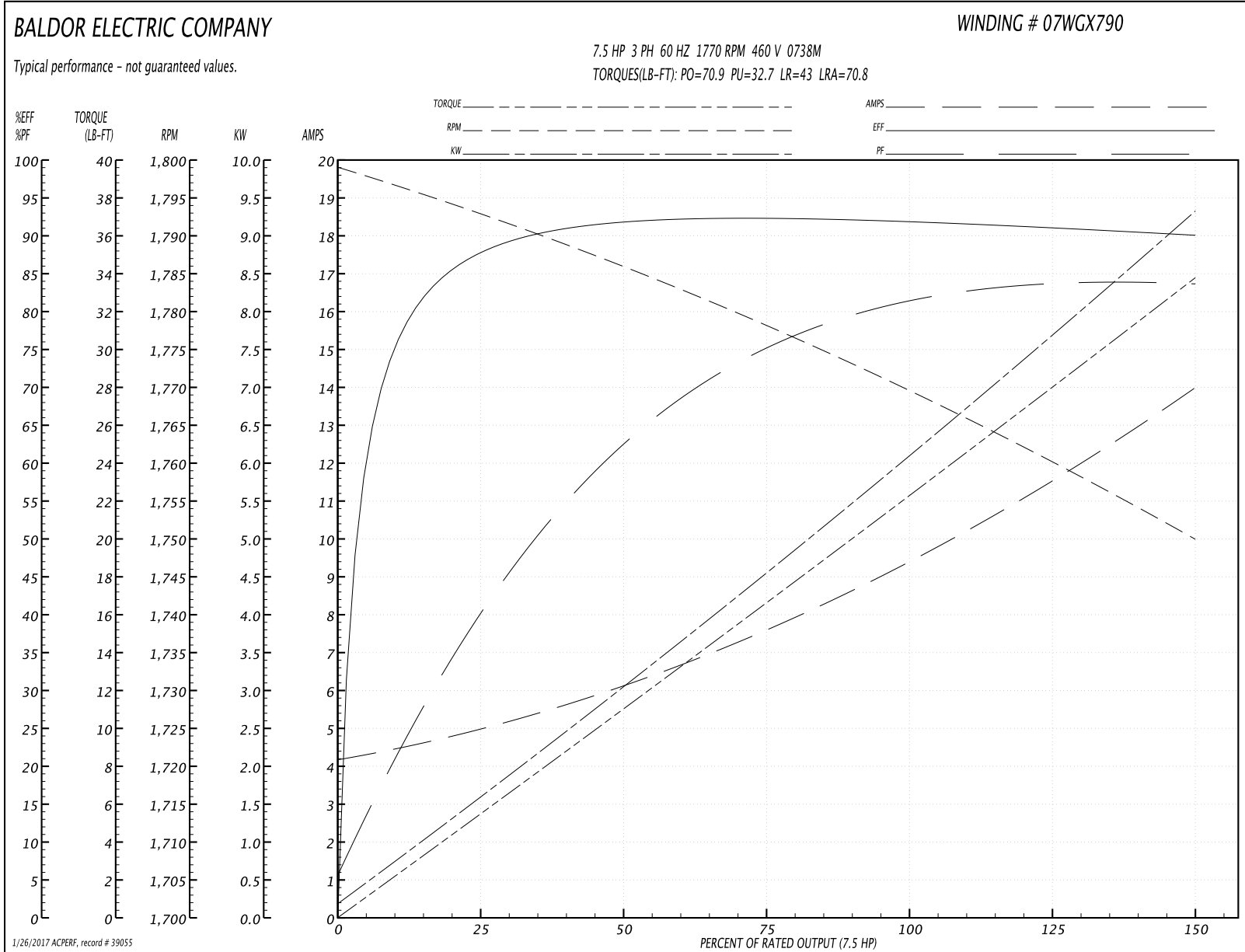
Winding: 07WGX790-R030	Type: 0738M	Enclosure: XPFC
-------------------------------	--------------------	------------------------

Nameplate Data				460 V, 60 Hz: High Voltage Connection	
Rated Output (HP)	7.5//5			Full Load Torque	22.2 LB-FT
Volts	230/460//190/380			Start Configuration	direct on line
Full Load Amps	19/9.5//16/8			Breakdown Torque	70.9 LB-FT
R.P.M.	1770//1470			Pull-up Torque	32.7 LB-FT
Hz	60//50	Phase	3	Locked-rotor Torque	43 LB-FT
NEMA Design Code	A	KVA Code	J	Starting Current	70.8 A
Service Factor (S.F.)	1.15			No-load Current	4.3 A
NEMA Nom. Eff.	91.7	Power Factor	81	Line-line Res. @ 25°C	1.41 Ω
Rating - Duty	55C AMB-CONT			Temp. Rise @ Rated Load	41°C
S.F. Amps				Temp. Rise @ S.F. Load	50°C
				Locked-rotor Power Factor	37.2
				Rotor inertia	0.934 LB-FT ²

Load Characteristics 460 V, 60 Hz, 7.5 HP

% of Rated Load	25	50	75	100	125	150	S.F.
Power Factor	42	64	75	80	83	84	82
Efficiency	87.5	91.6	92.5	92	91.1	90.1	91.5
Speed	1793	1786	1778	1770	1760	1750	1764
Line amperes	4.83	6.02	7.6	9.5	11.6	13.9	10.7

Performance Graph at 460V, 60Hz, 7.5HP Typical performance - Not guaranteed values



AC Induction Motor Performance Data

Record # 39056 - Typical performance - not guaranteed values

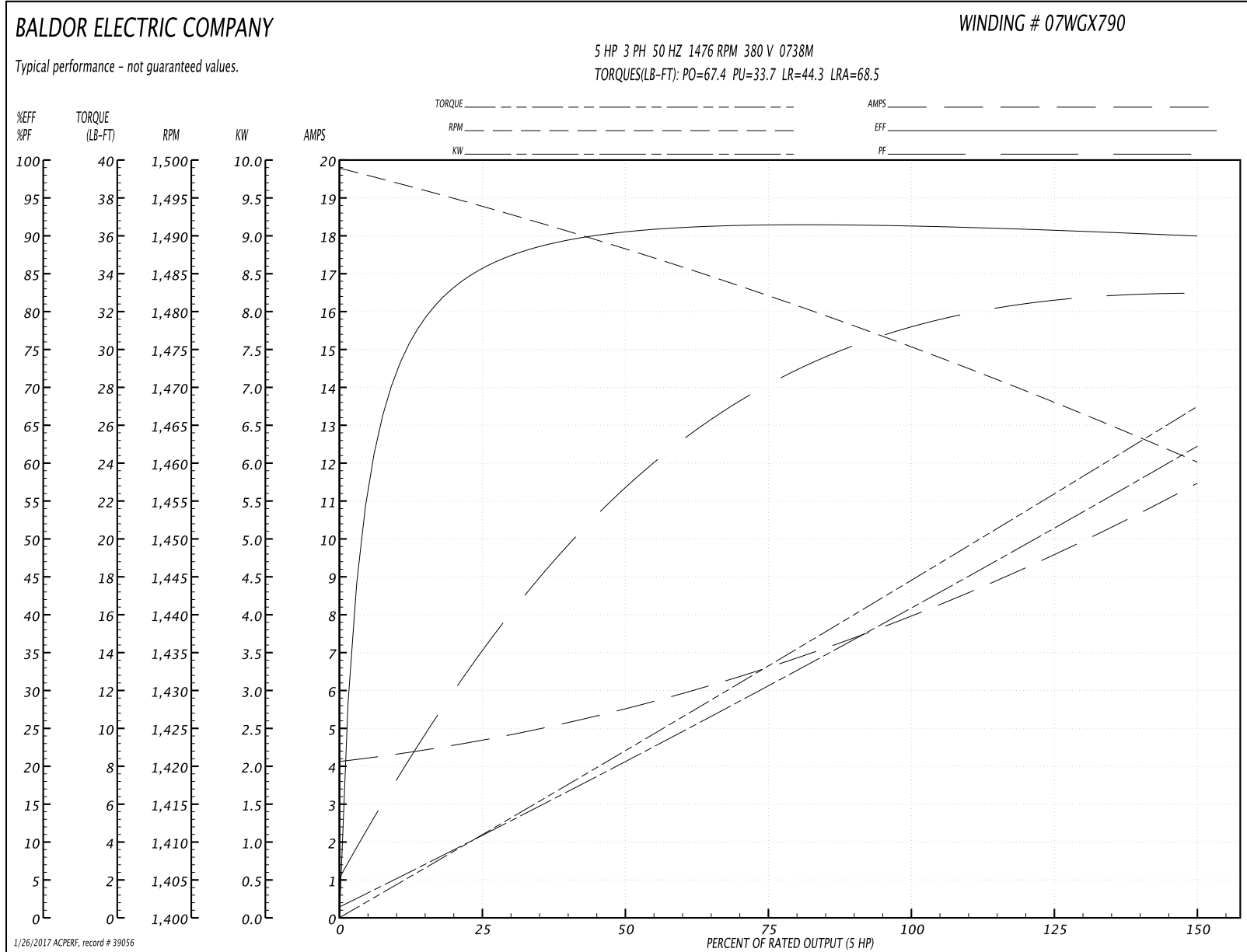
Winding: 07WGX790-R030	Type: 0738M	Enclosure: XPFC
-------------------------------	--------------------	------------------------

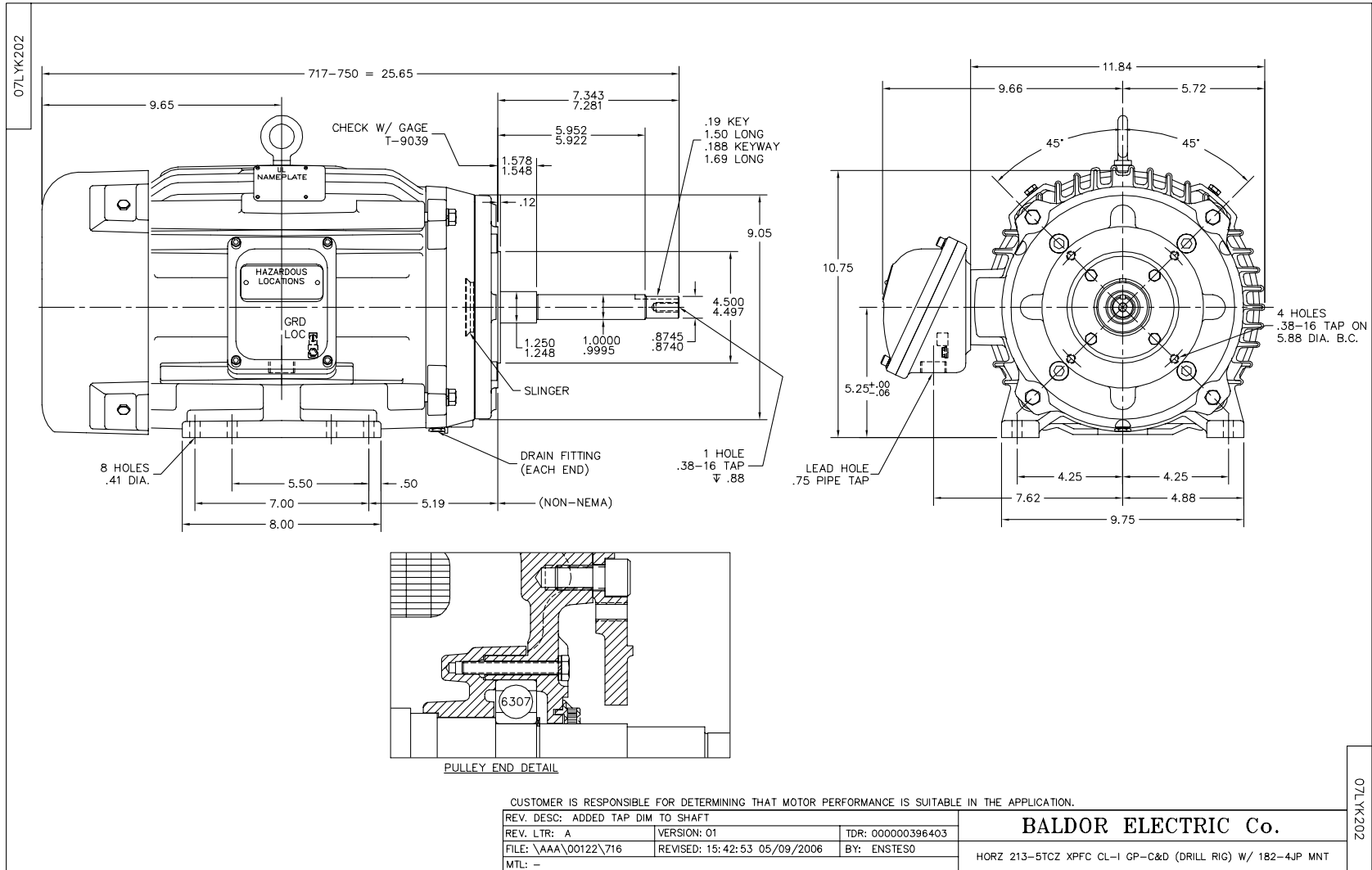
Nameplate Data				380 V, 50 Hz: High Voltage Connection	
Rated Output (HP)	7.5//5			Full Load Torque	17.7 LB-FT
Volts	230/460//190/380			Start Configuration	direct on line
Full Load Amps	19/9.5//16/8			Breakdown Torque	67.4 LB-FT
R.P.M.	1770//1470			Pull-up Torque	33.7 LB-FT
Hz	60//50	Phase	3	Locked-rotor Torque	44.3 LB-FT
NEMA Design Code	A	KVA Code	J	Starting Current	68.5 A
Service Factor (S.F.)	1.15			No-load Current	4.22 A
NEMA Nom. Eff.	91.7	Power Factor	81	Line-line Res. @ 25°C	1.41 Ω
Rating - Duty	55C AMB-CONT			Temp. Rise @ Rated Load	32°C
S.F. Amps				Temp. Rise @ S.F. Load	38°C
				Locked-rotor Power Factor	41.5
				Rotor inertia	0.934 LB-FT ²

Load Characteristics 380 V, 50 Hz, 5 HP

% of Rated Load	25	50	75	100	125	150	S.F.
Power Factor	36	58	70	77	81	83	79
Efficiency	85.5	90.6	91.4	91.3	90.9	90	91
Speed	1494	1488	1482	1476	1468	1460	1471
Line amperes	4.58	5.44	6.59	8.03	9.65	11.4	8.98

Performance Graph at 380V, 50Hz, 5.0HP Typical performance - Not guaranteed values

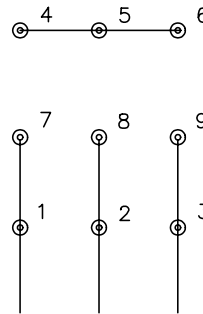




CD0005

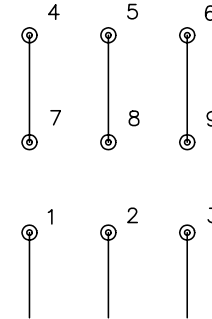


LOW VOLTAGE
(2Y)



LINE

HIGH VOLTAGE
(1Y)



LINE

NOTES:

1. INTERCHANGE ANY TWO LINE LEADS TO REVERSE ROTATION.
2. OPTIONAL THERMOSTATS ARE PROVIDED WHEN SPECIFIED.
3. ACTUAL NUMBER OF INTERNAL PARALLEL CIRCUITS MAY BE A MULTIPLE OF THOSE SHOWN ABOVE.
4. LEAD COLORS ARE OPTIONAL. LEADS MUST ALWAYS BE NUMBERED AS SHOWN.

REV. DESC: REVISE TO SHOW OPTIONAL COLORS			
REV. LTR: E	BY: JLP	REVISED: 01/19/99 10:15	TDR: 0171435
900000		FILE: AAA00005140	MDL: -
		MTL: -	

BALDOR ELECTRIC Co.

3PH, DV, 9 LEADS

CD0005