

BALDOR® • **RELIANCE**

Product Information Packet

EL3514T

1.5HP, 1760RPM, 1PH, 60HZ, 145T, 3540LC, TEFC

Part Detail							
Revision:	J	Status:	PRD/A	Change #:		Proprietary:	No
Type:	AC	Prod. Type:	3540LC	Elec. Spec:	35WGS759	CD Diagram:	CD0055
Enclosure:	TEFC	Mfg Plant:		Mech. Spec:	35EE001	Layout:	35LYEE001
Frame:	145T	Mounting:	F1	Poles:	04	Created Date:	12-22-2009
Base:	RG	Rotation:	R	Insulation:	F	Eff. Date:	03-17-2016
Leads:	6#18					Replaced By:	
Literature:		Elec. Diagram:					

Nameplate NP2116L	
CAT.NO.	EL3514T
SPEC.	35EE001S759G1
HP	1.5
VOLTS	115/230
AMP	12.6/6.3
RPM	1760
FRAME	145T
	HZ 60
	PH 1
SER.F.	1.15
	CODE J
	DES L
	CL F
NEMA-NOM-EFF	84
	PF 94
RATING	40C AMB-CONT
CC	USABLE AT 208V
DE	6205
	ODE 6203
ENCL	TEFC
	SN
	SFA 14.4/7.2

Parts List		
Part Number	Description	Quantity
SA189067	SA 35EE001S759G1	1.000 EA
RA176786	RA 35EE001S759G1	1.000 EA
OC3040F09SP	CYL OIL CAP 40MFD/370V	1.000 EA
EC1645A06SP	ELEC CAP, 645-774 MFD, 125V, 2.06D X 4.	1.000 EA
NS2512A01	INSULATOR, CONDUIT BOX X	1.000 EA
35CB3009	35 CB W/1.09 DIA. LEAD HOLE @ 6:	1.000 EA
36GS1000SP	GASKET-CONDUIT BOX, .06 THICK #SV-330 LE	1.000 EA
51XB1016A07	10-16 X 7/16 HXWSSLD SERTYB	2.000 EA
11XW1032G06	10-32 X .38, TAPTITE II, HEX WSHR SLTD U	1.000 EA
35FE3100M01	FREP TEFC ASSEMBLY FOR ROUTING	1.000 EA
HW4500A01	1641B(ALEMITE)400 UNIV, GREASE FITT	1.000 EA
51XW0832A07	8-32 X .44, TAPTITE II, HEX WSHR SLTD SE	2.000 EA
35CB3801	CAPACITOR COVER, CAST	1.000 EA
34GS3002	GASKET, CAPACITOR BOX	1.000 EA
HA7010	CAPACITOR RETENTION CLAMP	1.000 EA
NS2501A02	INSULATOR, CAPACITOR BOX	1.000 EA
51XB1016A08	10-16X 1/2HXWSSLD SERTYB	2.000 EA
HW5100A03SP	WAVY WASHER (W1543-017)	1.000 EA
35PE3101A01	PUEP ASSEMBLY FOR ROUTING	1.000 EA
HW4500A01	1641B(ALEMITE)400 UNIV, GREASE FITT	1.000 EA
XY1032A02	10-32 HEX NUT DIRECTIONAL SERRATION	4.000 EA
51XB1214A16	12-14X1.00 HXWSSLD SERTYB	1.000 EA
35FH4005A84SP	IEC FH W/GRSR, NO DIMPLES PRIMED	1.000 EA
51XW1032A06	10-32 X .38, TAPTITE II, HEX WSHR SLTD S	3.000 EA

Parts List (continued)		
Part Number	Description	Quantity
35CB4521GX	CONDUIT BOX LID KIT	1.000 EA
51XW0832A07	8-32 X .44, TAPTITE II, HEX WSHR SLTD SE	4.000 EA
HW2501D13	KEY, 3/16 SQ X 1.375	1.000 EA
HA7000A01	KEY RETAINER 7/8" DIA SHAFT	1.000 EA
85XU0407S04	4X1/4 U DRIVE PIN STAINLESS	2.000 EA
MJ1000A02	GREASE, POLYREX EM EXXON (USe 4824-15A)	0.050 LB
MG1000Y03	MUNSELL 2.53Y 6.70/ 4.60, GLOSS 20,	0.017 GA
WD1000A15	3-520132-2 AMP FLAG (4M/RL NON-CANC/NON-	4.000 EA
35FN3002A05	EXFN, PLASTIC, 6.376 OD, .638 ID	1.000 EA
HA3100A26	THRUBOLT 10-32 X 11.500	4.000 EA
SP5181A01	MODEL 35 LC TORQ STAT SWITCH LEAD ASSY	1.000 EA
LC0001A01	CONN LABEL / WARNING LABEL (LC0001 / LB1	1.000 EA
NP2116L	ALUM SUPER-E UL CSA CC	1.000 EA
36PA1000	PKG GRP, PRINT PK1016A06	1.000 EA
MN416A01	TAG-INSTAL-MAINT no wire (1000/bx) 11/14	1.000 EA

Accessories		
Part Number	Description	Multiplier
35-8762	C FACE KIT	A8
35EP1506A01SP	D-FLANGE KIT	A8

AC Induction Motor Performance Data
Record # 9105 - Typical performance - not guaranteed values

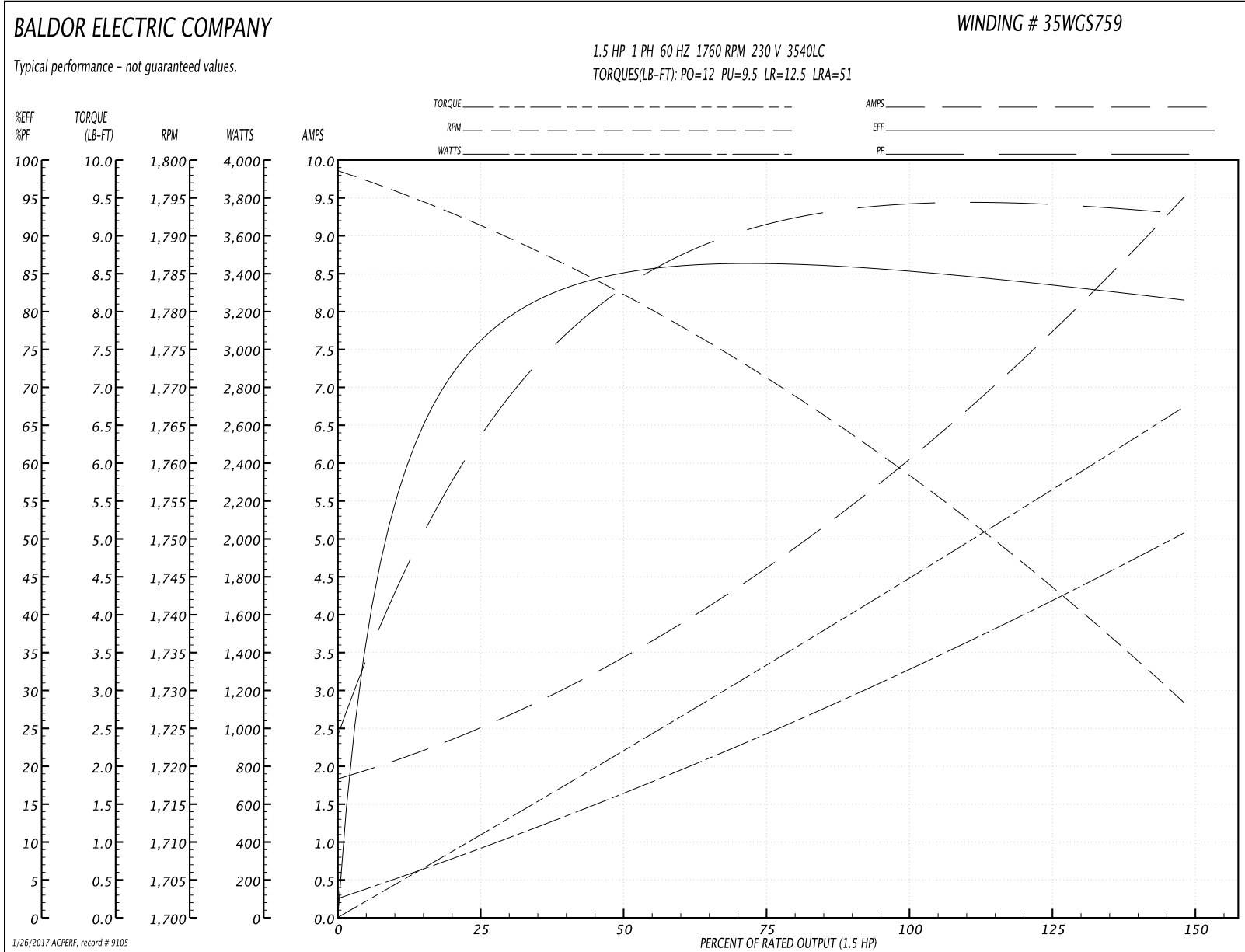
Winding: 35WGS759-R002	Type: 3540LC	Enclosure: TEFC
-------------------------------	---------------------	------------------------

Nameplate Data				230 V, 60 Hz: High Voltage Connection	
Rated Output (HP)	1.5			Full Load Torque	4.5 LB-FT
Volts	115/230			Start Configuration	direct on line
Full Load Amps	12.6/6.3			Breakdown Torque	12 LB-FT
R.P.M.	1760			Pull-up Torque	9.5 LB-FT
Hz	60	Phase	1	Locked-rotor Torque	12.5 LB-FT
NEMA Design Code	L	KVA Code	J	Starting Current	51 A
Service Factor (S.F.)	1.15			No-load Current	1.9 A
NEMA Nom. Eff.	84	Power Factor	94	Line-line Res. @ 25°C	1.6 Ω A Ph 1.26 Ω B Ph
Rating - Duty	40C AMB-CONT			Temp. Rise @ Rated Load	48°C
S.F. Amps	14.4/7.2			Temp. Rise @ S.F. Load	62°C

Load Characteristics 230 V, 60 Hz, 1.5 HP

% of Rated Load	25	50	75	100	125	150	S.F.
Power Factor	71	85	92	94	95	95	95
Efficiency	72.9	84.4	86.2	86.2	84.1	81	84.9
Speed	1791	1781	1771	1759	1744	1728	1750
Line amperes	2.4	3.5	4.7	6.1	7.7	9.5	7.2

Performance Graph at 230V, 60Hz, 1.5HP Typical performance - Not guaranteed values



AC Induction Motor Performance Data

Record # 30382 - Typical performance - not guaranteed values

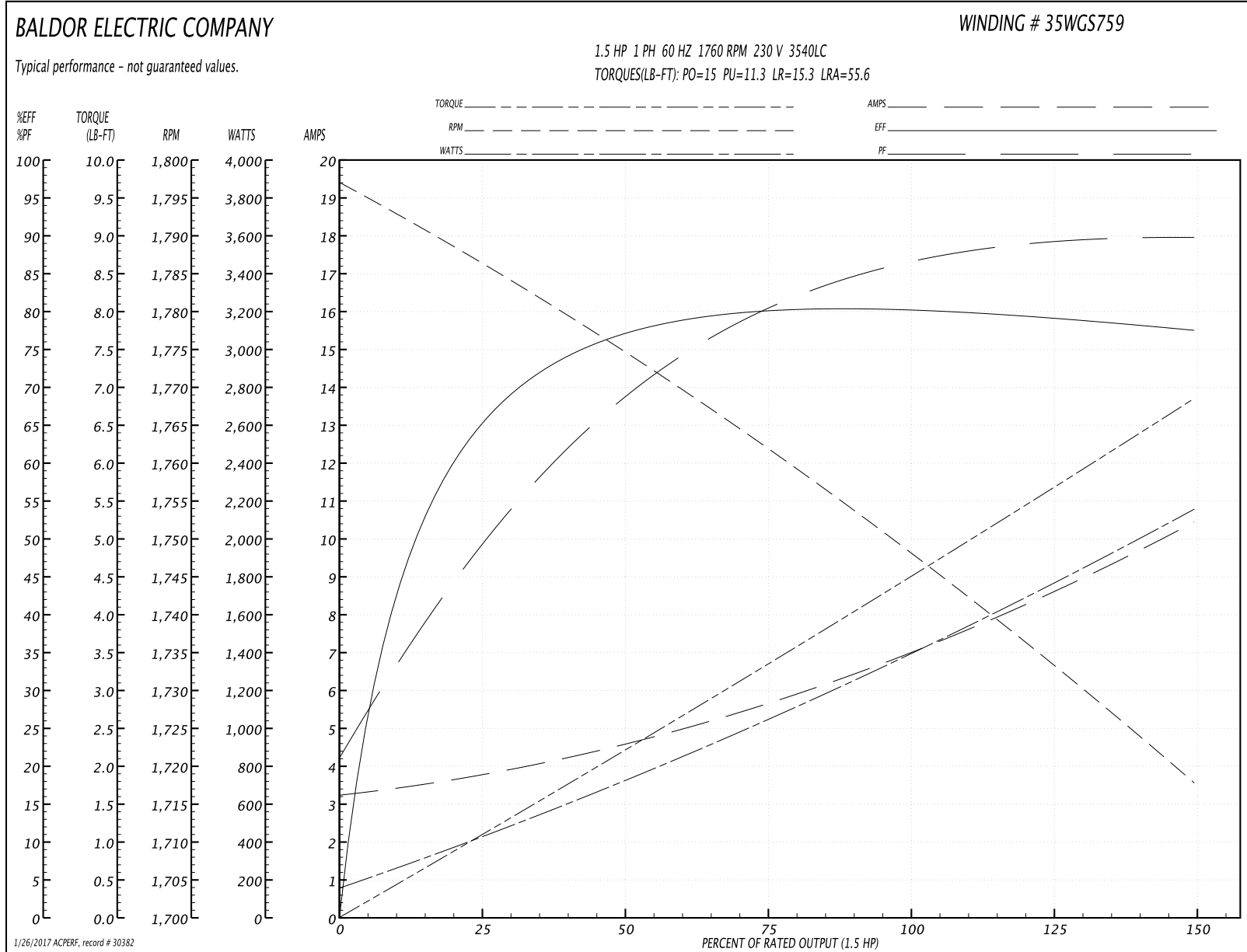
Winding: 35WGS759-R002	Type: 3540LC	Enclosure: TEFC
-------------------------------	---------------------	------------------------

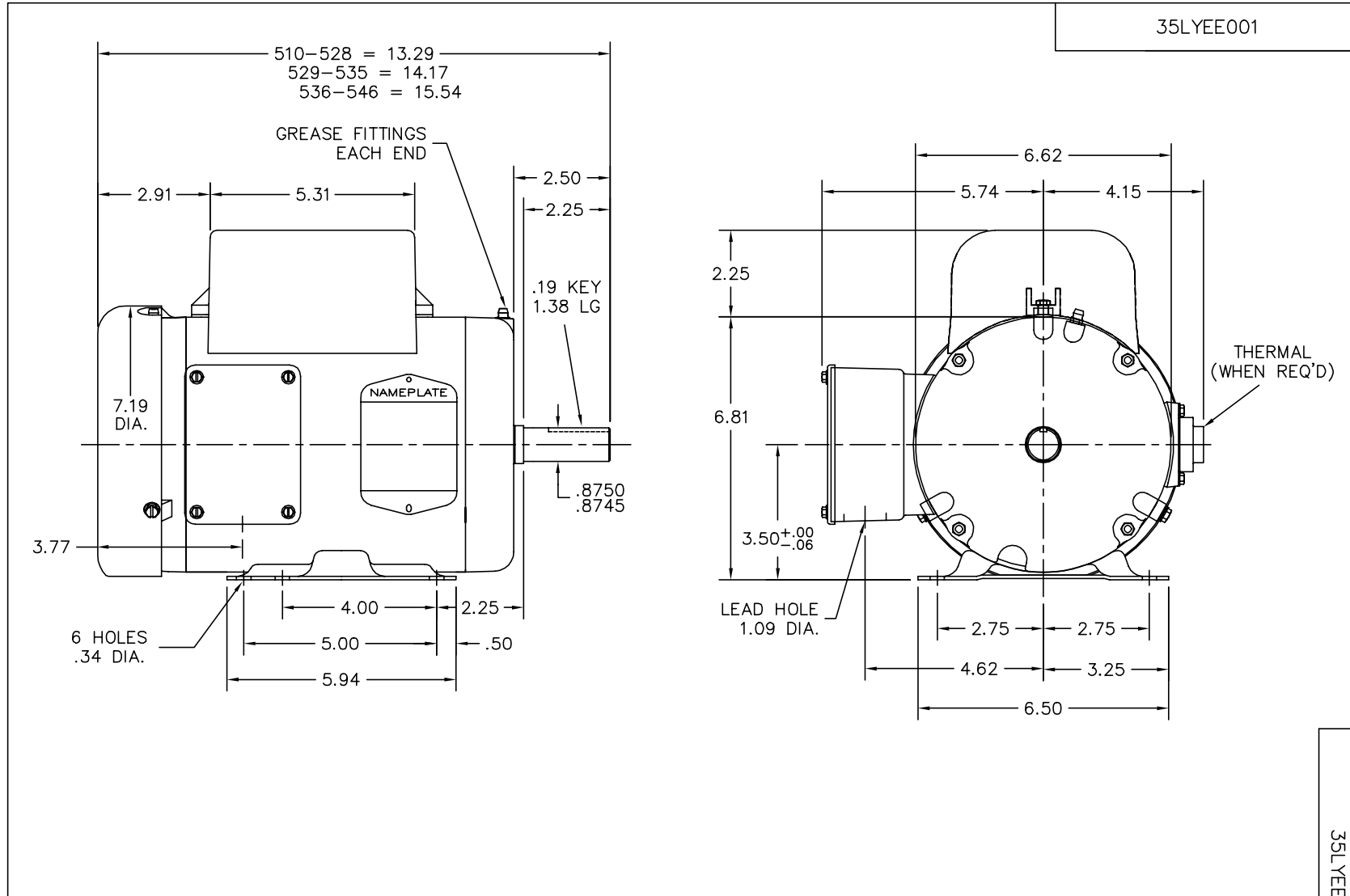
Nameplate Data				230 V, 60 Hz: High Voltage Connection	
Rated Output (HP)	1.5			Full Load Torque	4.45 LB-FT
Volts	115/230			Start Configuration	direct on line
Full Load Amps	12.6/6.3			Breakdown Torque	15 LB-FT
R.P.M.	1760			Pull-up Torque	11.3 LB-FT
Hz	60	Phase	1	Locked-rotor Torque	15.3 LB-FT
NEMA Design Code	L	KVA Code	J	Starting Current	55.6 A
Service Factor (S.F.)	1.15			No-load Current	3.31 A
NEMA Nom. Eff.	84	Power Factor	94	Line-line Res. @ 25°C	1.5114 Ω A Ph 1.2489 Ω B Ph
Rating - Duty	40C AMB-CONT			Temp. Rise @ Rated Load	53°C
S.F. Amps	14.4/7.2			Temp. Rise @ S.F. Load	64°C

Load Characteristics 230 V, 60 Hz, 1.5 HP

% of Rated Load	25	50	75	100	125	150	S.F.
Power Factor	52	69	80	85	89	90	87
Efficiency	64.3	76.1	80	80.8	79.4	77.3	80
Speed	1783.8	1773.9	1763	1750.3	1735.3	1716.3	1741
Line amperes	3.69	4.5	5.62	6.99	8.58	10.4	7.94

Performance Graph at 230V, 60Hz, 1.5HP Typical performance - Not guaranteed values





CUSTOMER IS RESPONSIBLE FOR DETERMINING THAT BALDOR'S PRODUCT WILL PERFORM SUITABLY IN THE INTENDED APPLICATION.

REV. DESC: NEW		VERSION: 00		TDR: 000000520879	
REV. LTR: -		FILE: \AAA\00168\392		REVISED: 10:48:53 12/21/2009	
MTL: -		BY: ENALEMO			

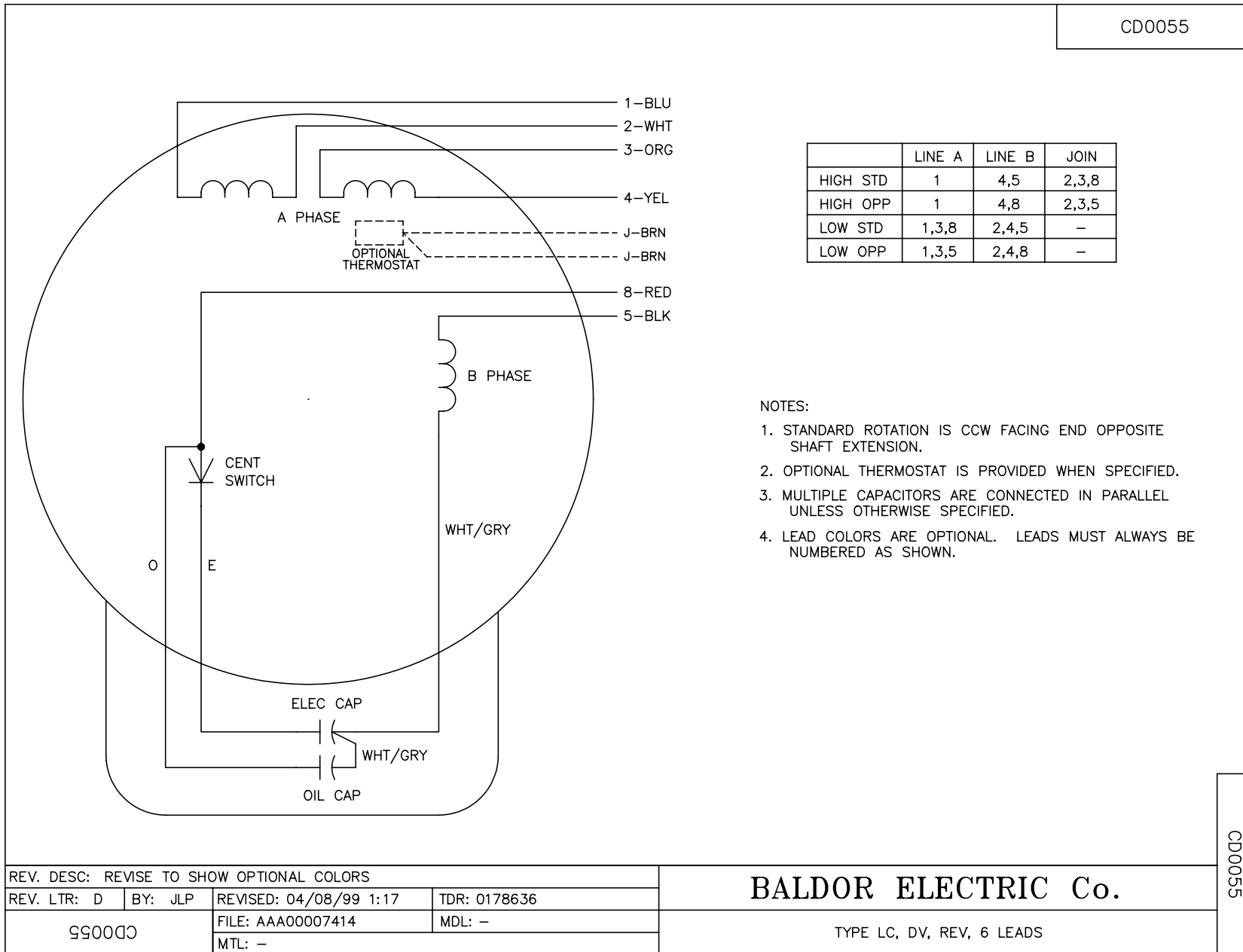
BALDOR • DODGE • RELIANCE

STD HORZ 143-5T TEFC 35LC W/1.09 DIA. LEAD HOLE

SH 1 of 1

35LYEE001

CD0055



REV. DESC: REVISE TO SHOW OPTIONAL COLORS			
REV. LTR: D	BY: JLP	REVISED: 04/08/99 1:17	TDR: 0178636
990000		FILE: AAA00007414	MDL: -
		MTL: -	

BALDOR ELECTRIC Co.

TYPE LC, DV, REV, 6 LEADS

CD0055