

BALDOR® • ***RELIANCE***

Product Information Packet

EM251152T-4

150HP,3560RPM,3PH,60HZ,405TS,A40058M,DP

Part Detail							
Revision:	A	Status:	PRD/A	Change #:		Proprietary:	No
Type:	AC	Prod. Type:	A40058M	Elec. Spec:	A40WG1124	CD Diagram:	416820-008
Enclosure:	DP	Mfg Plant:		Mech. Spec:		Layout:	611750-001
Frame:	405TS	Mounting:	F1	Poles:	02	Created Date:	02-09-2015
Base:		Rotation:	R	Insulation:	B	Eff. Date:	12-07-2015
Leads:	6#2					Replaced By:	
Literature:		Elec. Diagram:					

Nameplate NP2496L	
MOBIL POLYREX EM	

Nameplate NP2349L											
SPEC NO.	A40-6466-1124			CAT.NO.	EM251152T-4			FRAME	404/5TS		
HP	150	VOLTS	460	PHASE	3	DESIGN	B	TYPE	P		
RPM	3560	AMPS	167	HZ	60	AMB	40	SF	1.15		
DRIVE END BEARING	65BC03J30X		DUTY	CONT		INSUL.CLASS	F				
OPP D.E. BEARING	65BC03J30X		ENCL	DP		CODE	G				
SER.NO.				POWER FACTOR	88		NEMA-NOM-EFFICIENCY	95.4			
							MAX CORR KVAR	25.0		GUARANTEED EFFICIENCY	94.5
							NEMA NOM/CSA QUOTED EFF				
							MOTOR WEIGHT	1140			

Parts List		
Part Number	Description	Quantity
SA293724	SA A40-6466-1124	1.000 EA
RA279816	RA A40-6466-1124	1.000 EA
421948044	LABEL, MYLAR	1.000 EA
NP2496L	MOTOR LUBE NAMEPLATE	1.000 EA
000613006PU	N/P (RELEASE QTY 10,000) UL CSA LABEL	1.000 EA
000692000VD	LABEL WARNING	1.000 EA
NP2349L	SUPER-E ,SS, CSA, CSA SUPER-E	1.000 EA
702609001A	BAFFL 400 SUB PAINT	1.000 EA
089407082A	BRKT 400 089407081WCB	1.000 EA
004824015A	GREASE POLYREX EM	0.540 LB
032018020DK	HHCS 1/2-13X2-1/2 PLTD.	2.000 EA
032018028CK	HHCS 3/8-16X3-1/2 PLTD.	3.000 EA
410700004F	WSHR	1.000 EA
035000001G	GREASE RELIEF FITTING, ALEMITE 317400	1.000 EA
034017012AB	LCKW 1/4 STD. PLATED	4.000 EA
405851012AB	SPACE	4.000 EA
032018006AK	HHCS 1/4-20X3/4L PLATED	4.000 EA
034000012AB	WSHR 1/4 STD. PLATED	4.000 EA
034600001AA	BUSH 1/4TO1/8 BLACK	1.000 EA
405851012AB	SPACE	4.000 EA
034017012AB	LCKW 1/4 STD. PLATED	4.000 EA
034600001AA	BUSH 1/4TO1/8 BLACK	1.000 EA
034000012AB	WSHR 1/4 STD. PLATED	4.000 EA
032018006AK	HHCS 1/4-20X3/4L PLATED	4.000 EA

Parts List (continued)		
Part Number	Description	Quantity
089407082A	BRKT 400 089407081WCB	1.000 EA
702609001A	BAFFL 400 SUB PAINT	1.000 EA
032018020DK	HHCS 1/2-13X2-1/2 PLTD.	2.000 EA
032018026DK	HHCS 1/2-13X3-1/4L PLTD.	2.000 EA
032018028CK	HHCS 3/8-16X3-1/2 PLTD.	3.000 EA
035000001G	GREASE RELIEF FITTING, ALEMITE 317400	1.000 EA
077176000L	C/BOX, PAINTED 360-400	1.000 EA
077176001A	CBOXC, PAINTED 360-400	1.000 EA
418150003A	GREASE FITTING CAP	1.000 EA
032018004AK	HHCS 1/4-20X1/2 PLATED	4.000 EA
032018008CK	HHCS 3/8-16X1L PLATED	4.000 EA
048897010DG	PLUG,ODE BRKT - 360	1.000 EA
048977006J	GRFTG - 440	1.000 EA
035000001A	ALFTG 1/8" 1610-BL	1.000 EA
415000103D	T/LUG #4AWG-1/0AWG W/HOLE FOR .250 BOLT	1.000 EA
033512004LB	HHTTS 1/4-20X1/2 PLTD.	1.000 EA
035000001A	ALFTG 1/8" 1610-BL	1.000 EA
418150003A	GREASE FITTING CAP	1.000 EA
MG1025Y03	WILKOFAS, 789.701, SUPER E PEARL GOLD	2.000 QT
033775004EA	DRSCR #6-1/4 304 S.S.	4.000 EA
034180022GA	KEY 1/2X1/2X2-3/4 L	1.000 EA
604797045	STD. 400 FRAME SKID	1.000 EA
032510024D	CARRIAGE BOLT - 444	2.000 EA
034001014AB	FLAT WASHER 3/8"PLATED	2.000 EA

034001016AB	WSHR .562ID 1.375OD .109	2.000 EA
033300014AC	HEX NUT, SHIPPING - 400	2.000 EA
604797003C	SHIPPING BAG	1.000 EA

REL. S.O.	FRAME	HP	TYPE	PHASE/ HERTZ	RPM	VOLTS
	405T	150	P	3/60	3560	460
AMPS	DUTY	AMB °C/ INSUL.	S.F.	NEMA DESIGN	CODE LETTER	ENCL.
167	CONT	40/F	1.15	B	G	PBXE
E/S	ROTOR	TEST S.O.	TEST DATE	STATOR RES. @25 °C OHMS (BETWEEN LINES)		
596938	418142005SE	---	---	.0360		

PERFORMANCE


LOAD	HP	AMPERES	RPM	POWER FACTOR %	EFFICIENCY %
NO LOAD	0	44.7	3600	5.22	0
1/4	37.5	60.1	3591	62.8	93.1
2/4	75.0	89.9	3581	81.9	95.4
3/4	112	127	3572	86.8	95.6
4/4	150	167	3561	88.1	95.4
5/4	188	208	3550	88.8	94.9

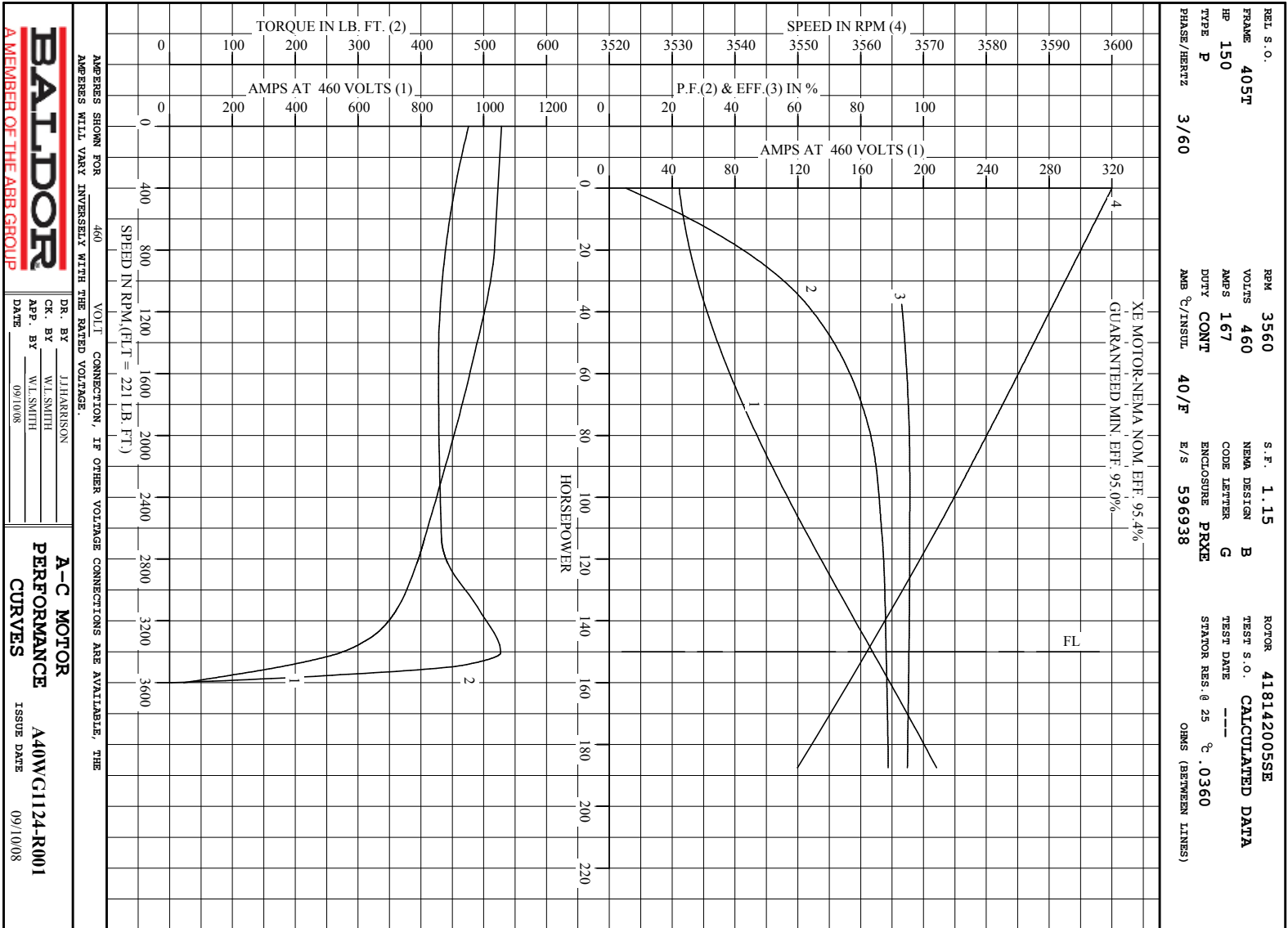
SPEED TORQUE

	RPM	TORQUE % FULL LOAD	TORQUE LB.-FT.	AMPERES
LOCKED ROTOR	0	215	476	1057
PULL UP	1545	193	428	962
BREKDOWN	3406	238	527	544
FULL LOAD	3561	100	221	167

AMPERES SHOWN FOR 460. VOLT CONNECTION. IF OTHER VOLTAGE CONNECTIONS ARE AVAILABLE, THE AMPERES WILL VARY INVERSELY WITH THE RATED VOLTAGE

REMARKS : CALCULATED DATA
 XE MOTOR-NEMA NOM. EFF. 95.4%
 GUARANTEED MIN. EFF. 95.0%

 <p>A MEMBER OF THE ABB GROUP</p>	DR. BY <u>J.J. HARRISON</u> CK. BY <u>W.L. SMITH</u> APP. BY <u>W.L. SMITH</u> DATE <u>09/10/08</u>	A-C MOTOR PERFORMANCE DATA A40WG1124-R001 ISSUE DATE <u>09/10/08</u>
---	--	--



BALDOR
A MEMBER OF THE ABB GROUP

DR. BY J.HARRISON
CK. BY W.L.SMITH
APP. BY W.L.SMITH
DATE 09/10/08

A-C MOTOR
PERFORMANCE A40WC1124-R001
CURVES ISSUE DATE 09/10/08

Printed on 8/12/15 9:02 @ bengap01.baldor.com

611750-001

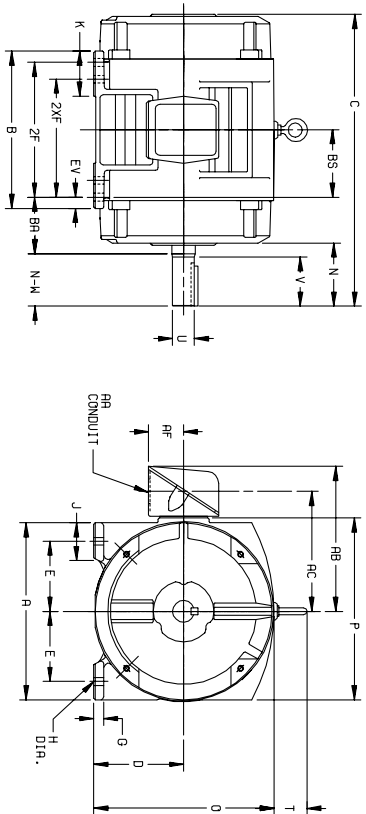
DUTY MASTER ALTERNATING CURRENT MOTORS

SQUIRREL-CAGE INDUCTION

ENCLOSURE: PROTECTED
MOUNTING: FOOT

FRAMES 250T THRU 440T

COOLING: SELF-VENTILATED



DIMENSIONS ARE IN INCHES

FRAME	A	D(2)	E	G	H	J	K	O	P	STEEL TERMINAL BOX						EV
										T	AA	AB	AC	AD	BA	
254T-256T	12.50	6.25	5.00	.69	.56	2.25	3.50	12.81	12.69	2.44	1-1/4	10.19	8.19	2.50	4.25	.62
284T-286T	14.00	7.00	5.50	.75	.56	2.75	3.75	14.12	14.31	2.44	1-1/2	12.19	9.44	3.19	4.75	1.00
324T-326T	15.75	8.00	6.25	.88	.69	3.12	4.00	16.10	16.42	2.44	2	14.25	10.75	4.25	5.25	1.00
364T-366T	17.00	9.00	7.00	.88	.69	3.00	3.62	18.30	19.56	2.94	3	18.06	14.00	5.38	5.88	1.00
404T-406T	19.00	10.00	8.00	1.12	.81	3.25	4.75	20.56	21.81	2.94	3	19.06	15.00	4.38	6.62	1.12
444T-446T	21.00	11.00	9.00	1.12	.81	3.25	5.25	22.91	23.62	3.25	3	22.62	17.38	5.50	7.50	1.25

FRAME	SIZE	C	BS	B	ZF	N	O	P	T	SHAFT AND KEY			WEIGHT LBS. (5)
										N-W(6)	U(3)	V	
254T	22.44	5.00	11.25	---	8.25	4.25	4.00	1.625	3.75	.375	2.75	.265	
284T	24.94	5.50	13.00	---	9.50	4.88	4.00	1.625	3.75	.375	2.75	.275	
324T	23.56	5.50	13.00	---	9.50	3.50	3.25	1.625	3.00	.375	1.88	.340	
364T	23.56	5.50	13.00	---	9.50	4.88	4.62	1.875	4.38	.500	3.25	.370	
404T	27.56	6.00	14.00	---	10.50	5.50	3.25	2.125	5.00	.375	1.88	.370	
444T	28.06	6.00	14.00	---	10.50	4.00	3.75	1.875	3.50	.500	2.00	.465	
326T	27.56	6.00	14.00	---	10.50	5.50	3.25	2.125	5.00	.500	3.75	.505	
366T	28.06	6.00	14.00	---	12.00	5.50	3.25	2.125	5.00	.500	2.00	.505	
384T	28.70	6.12	14.25	---	11.25	6.12	3.88	2.375	5.62	.825	4.25	.710	
386T	29.70	6.12	14.25	---	12.25	6.12	3.88	2.375	5.62	.825	4.25	.755	
388T	29.70	6.12	14.25	---	12.25	6.12	3.88	2.375	5.62	.825	4.25	.755	
404T	34.00	6.88	16.00	---	4.00	7.62	4.25	2.625	7.00	.750	5.50	1.020	
406T	34.00	6.88	16.00	---	4.00	7.62	4.25	2.625	7.00	.750	5.50	1.020	
408T	34.00	6.88	16.00	---	4.00	7.62	4.25	2.625	7.00	.750	5.50	1.020	
410T	34.00	6.88	16.00	---	4.00	7.62	4.25	2.625	7.00	.750	5.50	1.020	
412T	34.00	6.88	16.00	---	4.00	7.62	4.25	2.625	7.00	.750	5.50	1.020	
414T	34.00	6.88	16.00	---	4.00	7.62	4.25	2.625	7.00	.750	5.50	1.020	
416T	34.00	6.88	16.00	---	4.00	7.62	4.25	2.625	7.00	.750	5.50	1.020	
418T	34.00	6.88	16.00	---	4.00	7.62	4.25	2.625	7.00	.750	5.50	1.020	
420T	34.00	6.88	16.00	---	4.00	7.62	4.25	2.625	7.00	.750	5.50	1.020	
422T	34.00	6.88	16.00	---	4.00	7.62	4.25	2.625	7.00	.750	5.50	1.020	
424T	34.00	6.88	16.00	---	4.00	7.62	4.25	2.625	7.00	.750	5.50	1.020	
426T	34.00	6.88	16.00	---	4.00	7.62	4.25	2.625	7.00	.750	5.50	1.020	
428T	34.00	6.88	16.00	---	4.00	7.62	4.25	2.625	7.00	.750	5.50	1.020	
430T	34.00	6.88	16.00	---	4.00	7.62	4.25	2.625	7.00	.750	5.50	1.020	
432T	34.00	6.88	16.00	---	4.00	7.62	4.25	2.625	7.00	.750	5.50	1.020	
434T	34.00	6.88	16.00	---	4.00	7.62	4.25	2.625	7.00	.750	5.50	1.020	
436T	34.00	6.88	16.00	---	4.00	7.62	4.25	2.625	7.00	.750	5.50	1.020	
438T	34.00	6.88	16.00	---	4.00	7.62	4.25	2.625	7.00	.750	5.50	1.020	
440T	34.00	6.88	16.00	---	4.00	7.62	4.25	2.625	7.00	.750	5.50	1.020	
442T	34.00	6.88	16.00	---	4.00	7.62	4.25	2.625	7.00	.750	5.50	1.020	
444T	34.00	6.88	16.00	---	4.00	7.62	4.25	2.625	7.00	.750	5.50	1.020	
446T	34.00	6.88	16.00	---	4.00	7.62	4.25	2.625	7.00	.750	5.50	1.020	
448T	34.00	6.88	16.00	---	4.00	7.62	4.25	2.625	7.00	.750	5.50	1.020	
450T	34.00	6.88	16.00	---	4.00	7.62	4.25	2.625	7.00	.750	5.50	1.020	
452T	34.00	6.88	16.00	---	4.00	7.62	4.25	2.625	7.00	.750	5.50	1.020	
454T	34.00	6.88	16.00	---	4.00	7.62	4.25	2.625	7.00	.750	5.50	1.020	
456T	34.00	6.88	16.00	---	4.00	7.62	4.25	2.625	7.00	.750	5.50	1.020	
458T	34.00	6.88	16.00	---	4.00	7.62	4.25	2.625	7.00	.750	5.50	1.020	
460T	34.00	6.88	16.00	---	4.00	7.62	4.25	2.625	7.00	.750	5.50	1.020	
462T	34.00	6.88	16.00	---	4.00	7.62	4.25	2.625	7.00	.750	5.50	1.020	
464T	34.00	6.88	16.00	---	4.00	7.62	4.25	2.625	7.00	.750	5.50	1.020	
466T	34.00	6.88	16.00	---	4.00	7.62	4.25	2.625	7.00	.750	5.50	1.020	
468T	34.00	6.88	16.00	---	4.00	7.62	4.25	2.625	7.00	.750	5.50	1.020	
470T	34.00	6.88	16.00	---	4.00	7.62	4.25	2.625	7.00	.750	5.50	1.020	
472T	34.00	6.88	16.00	---	4.00	7.62	4.25	2.625	7.00	.750	5.50	1.020	
474T	34.00	6.88	16.00	---	4.00	7.62	4.25	2.625	7.00	.750	5.50	1.020	
476T	34.00	6.88	16.00	---	4.00	7.62	4.25	2.625	7.00	.750	5.50	1.020	
478T	34.00	6.88	16.00	---	4.00	7.62	4.25	2.625	7.00	.750	5.50	1.020	
480T	34.00	6.88	16.00	---	4.00	7.62	4.25	2.625	7.00	.750	5.50	1.020	
482T	34.00	6.88	16.00	---	4.00	7.62	4.25	2.625	7.00	.750	5.50	1.020	
484T	34.00	6.88	16.00	---	4.00	7.62	4.25	2.625	7.00	.750	5.50	1.020	
486T	34.00	6.88	16.00	---	4.00	7.62	4.25	2.625	7.00	.750	5.50	1.020	
488T	34.00	6.88	16.00	---	4.00	7.62	4.25	2.625	7.00	.750	5.50	1.020	
490T	34.00	6.88	16.00	---	4.00	7.62	4.25	2.625	7.00	.750	5.50	1.020	
492T	34.00	6.88	16.00	---	4.00	7.62	4.25	2.625	7.00	.750	5.50	1.020	
494T	34.00	6.88	16.00	---	4.00	7.62	4.25	2.625	7.00	.750	5.50	1.020	
496T	34.00	6.88	16.00	---	4.00	7.62	4.25	2.625	7.00	.750	5.50	1.020	
498T	34.00	6.88	16.00	---	4.00	7.62	4.25	2.625	7.00	.750	5.50	1.020	
500T	34.00	6.88	16.00	---	4.00	7.62	4.25	2.625	7.00	.750	5.50	1.020	

- (1) SPECIAL DIMENSIONS APPLYING TO THIS ORDER ON THIS LINE.
 - (2) "D" VARIES [290T - 320T +.00, -.03.
 - (3) "U" VARIES +.000, -.001
 - (4) ALL FRAMES HAVE EIGHT MOUNTING HOLES FOR DUAL MOUNTING.
 - (5) MOTOR WEIGHTS MAY VARY BY 15% DEPENDING UPON RATING.
- CONDUIT BOX LOCATED ON OPPOSITE SIDE WHEN F-2-W-1, W-4-W-5-W-7, OR C-1 MOUNTING IS SPECIFIED.

IF MOUNTING CLEARANCE DETAILS ARE REQUIRED, CONSULT FACTORY.

MAXIMUM PERMISSIBLE SHAFT RUNOUT WHEN MEASURED AT END OF STD. SHAFT EXTENSION IS .002 T.I.R. UP TO AND INCLUDING 1.625 DIA. AND .005 T.I.R. ABOVE 1.625 TO 5 INCH DIA.

FRAMES "N"-W VARIES +.00, -.25
 ORDER ITEM HP CERTIFIED FOR RPM PH HZ VOLTS
 SALES ORDER APPROVED BY DATE

100-057119

CUSTOMER IS RESPONSIBLE FOR DETERMINING THAT BALDOR'S PRODUCT WILL PERFORM SUITABLY IN THE INTENDED APPLICATION.

REV. DESC: ASSIGNED TO BUSLOAD	VERSION: 01	TDR: 000000489455
REV. LTR: A	REVISED: 15:03:33 02/02/2009	BY: RAG2JR
FILE: \RAG\00008\297		
MTL: -		

Baldor • Dodge • Reliance

DIM SHT PROT SV FT 250-440T

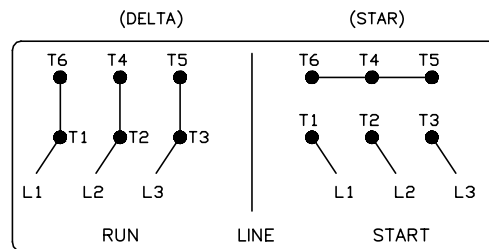
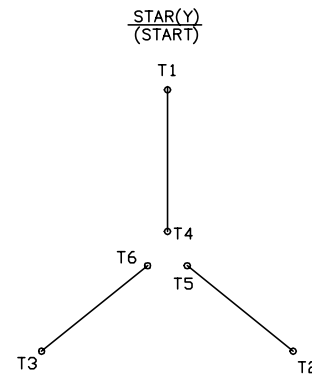
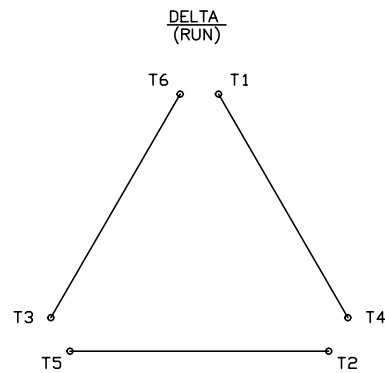
SH 1 of 1

416820-008

A-C MOTOR CONNECTION DIAGRAM

STANDARD 6 LEAD

Y START - DELTA RUN



< N. P. 1767-DC >

416820-008

REV. DESC: ADDED T4 TO Y CONNECT DIAGRAM		
REV. LTR: D	VERSION: 04	TDR: 000000847713
FILE: \RAG\00001\808	REVISED: 10: 41: 26 04/08/2014	BY: RAGJSS1
MTL: -	Ⓢ □	

BALDOR

CONNECT DIAGRAM STD 6 LEAD Y START DELTA RUN

SH 1 of 1

Marketing maintained PDF of MN408:

<http://www.baldor.com/support/Literature/Load.ashx/MN408?ManNumber=MN408>

Marketing maintained PDF of MN416:

<http://www.baldor.com/support/Literature/Load.ashx/MN416?ManNumber=MN416>