

BALDOR® • *RELIANCE*

Product Information Packet

EM25404T-4

400HP, 1780RPM, 3PH, 60HZ, 449T, DP, F1

Part Detail							
Revision:	-	Status:	PRD/A	Change #:		Proprietary:	No
Type:	AC	Prod. Type:	A44140M	Elec. Spec:	A44WG3164	CD Diagram:	416820-008
Enclosure:	DP	Mfg Plant:		Mech. Spec:		Layout:	604989-505
Frame:	449T	Mounting:	F1	Poles:	04	Created Date:	11-24-2015
Base:		Rotation:	R	Insulation:	F	Eff. Date:	12-04-2015
Leads:	6#1 (02 per group)					Replaced By:	
Literature:		Elec. Diagram:					

Nameplate NP2496L	
MOBIL POLYREX EM	

Nameplate NP2349L											
SPEC NO.	A44-8061-3164			CAT.NO.	EM25404T-4			FRAME	449T		
HP	400	VOLTS	460	PHASE	3	DESIGN	B	TYPE	P		
RPM	1780	AMPS	437	HZ	60	AMB	40	SF	1.15		
DRIVE END BEARING	90BC03J30X		DUTY	CONT		INSUL.CLASS	F				
OPP D.E. BEARING	90BC03J30X		ENCL	DP		CODE	F				
SER.NO.				POWER FACTOR	89		NEMA-NOM-EFFICIENCY	96.2			
						MAX CORR KVAR	57		GUARANTEED EFFICIENCY		95.4
						NEMA NOM/CSA QUOTED EFF					
						MOTOR WEIGHT		2677			

Parts List		
Part Number	Description	Quantity
SA310868	SA A44-8061-3164	1.000 EA
RA298272	RA A44-8061-3164	1.000 EA
421948044	LABEL, MYLAR	1.000 EA
NP2496L	MOTOR LUBE NAMEPLATE	1.000 EA
000613006PU	N/P (RELEASE QTY 10,000) UL CSA LABLE	1.000 EA
000692000FF	N/P	1.000 EA
000692000VD	LABEL WARNING	1.000 EA
NP2349L	SUPER-E ,SS, CSA, CSA SUPER-E	1.000 EA
702611001A	BAFFL 440 SUB PAINT	1.000 EA
089439051A	BRKT 440 089439051WCB	1.000 EA
004824015A	GREASE POLYREX EM	1.160 LB
032018028EK	HHCS 5/8-11X3-1/2L PLTD	4.000 EA
032018036DK	HHCS 1/2-13X4-1/2 PLTD.	3.000 EA
410700004A	WSHR	1.000 EA
035000001G	GREASE RELIEF FITTING, ALEMITE 317400	1.000 EA
034017012AB	LCKW 1/4 STD. PLATED	4.000 EA
032018005AK	HHCS 1/4-20X5/8 PLATED	4.000 EA
034000012AB	WSHR 1/4 STD. PLATED	4.000 EA
034600001AA	BUSH 1/4TO1/8 BLACK	1.000 EA
418151014G	RETAIN RING	1.000 EA
034017012AB	LCKW 1/4 STD. PLATED	4.000 EA
034600001AA	BUSH 1/4TO1/8 BLACK	1.000 EA
034000012AB	WSHR 1/4 STD. PLATED	4.000 EA
032018005AK	HHCS 1/4-20X5/8 PLATED	4.000 EA

Parts List (continued)		
Part Number	Description	Quantity
089439051A	BRKT 440 089439051WCB	1.000 EA
702611001A	BAFFL 440 SUB PAINT	1.000 EA
032018028EK	HHCS 5/8-11X3-1/2L PLTD	4.000 EA
032018036DK	HHCS 1/2-13X4-1/2 PLTD.	3.000 EA
035000001G	GREASE RELIEF FITTING, ALEMITE 317400	1.000 EA
406056008A	GASKET, TERBD 440	1.000 EA
418150003A	GREASE FITTING CAP	1.000 EA
032018008DK	HHCS 1/2-13X1 PLATED	4.000 EA
048897010DJ	BUSH - 445	1.000 EA
702616012T	CONDUIT BOX	1.000 EA
035000001A	ALFTG 1/8" 1610-BL	1.000 EA
035000001A	ALFTG 1/8" 1610-BL	1.000 EA
418150003A	GREASE FITTING CAP	1.000 EA
MG1025Y03	WILKOFAS, 789.701, SUPER E PEARL GOLD	2.000 QT
033775004EA	DRSCR #6-1/4 304 S.S.	2.000 EA
034180054KA	KEY 7/8X7/8X6-3/4 L	1.000 EA
604797056	400-447 FRAME 60 X 42	1.000 EA
032510026D	CARRIAGE BOLT - 440	2.000 EA
034001014AB	FLAT WASHER 3/8"PLATED	2.000 EA
034001016AB	WSHR .562ID 1.375OD .109	2.000 EA
033300014AC	HEX NUT, SHIPPING - 400	2.000 EA
604797003C	SHIPPING BAG	1.000 EA

REL. S.O.	FRAME	HP	TYPE	PHASE/ HERTZ	RPM	VOLTS
	449T	400	P	3/60	1780	460
AMPS	DUTY	AMB °C/ INSUL.	S.F.	NEMA DESIGN	CODE LETTER	ENCL.
437	CONT	40/F	1.15	B	F	PROT
E/S	ROTOR	TEST S.O.	TEST DATE	STATOR RES. @25 °C (OHMS BETWEEN LINES)		
433997	418143049GE	---	---	.0107		

PERFORMANCE

LOAD	HP	AMPERES	RPM	POWER FACTOR %	EFFICIENCY %
NO LOAD	0	97.7	1800	4.12	0
1/4	100	142	1796	69.5	95.3
2/4	200	226	1792	85.8	96.6
3/4	300	327	1788	88.7	96.6
4/4	400	437	1783	88.9	96.2
5/4	500	551	1778	88.8	95.7

SPEED TORQUE

	RPM	TORQUE % FULL LOAD	TORQUE LB.-FT.	AMPERES
LOCKED ROTOR	0	153	1798	2819
PULL UP	1360	136	1606	2308
BREAKDOWN	1724	245	2880	1477
FULL LOAD	1783	100	1177	437

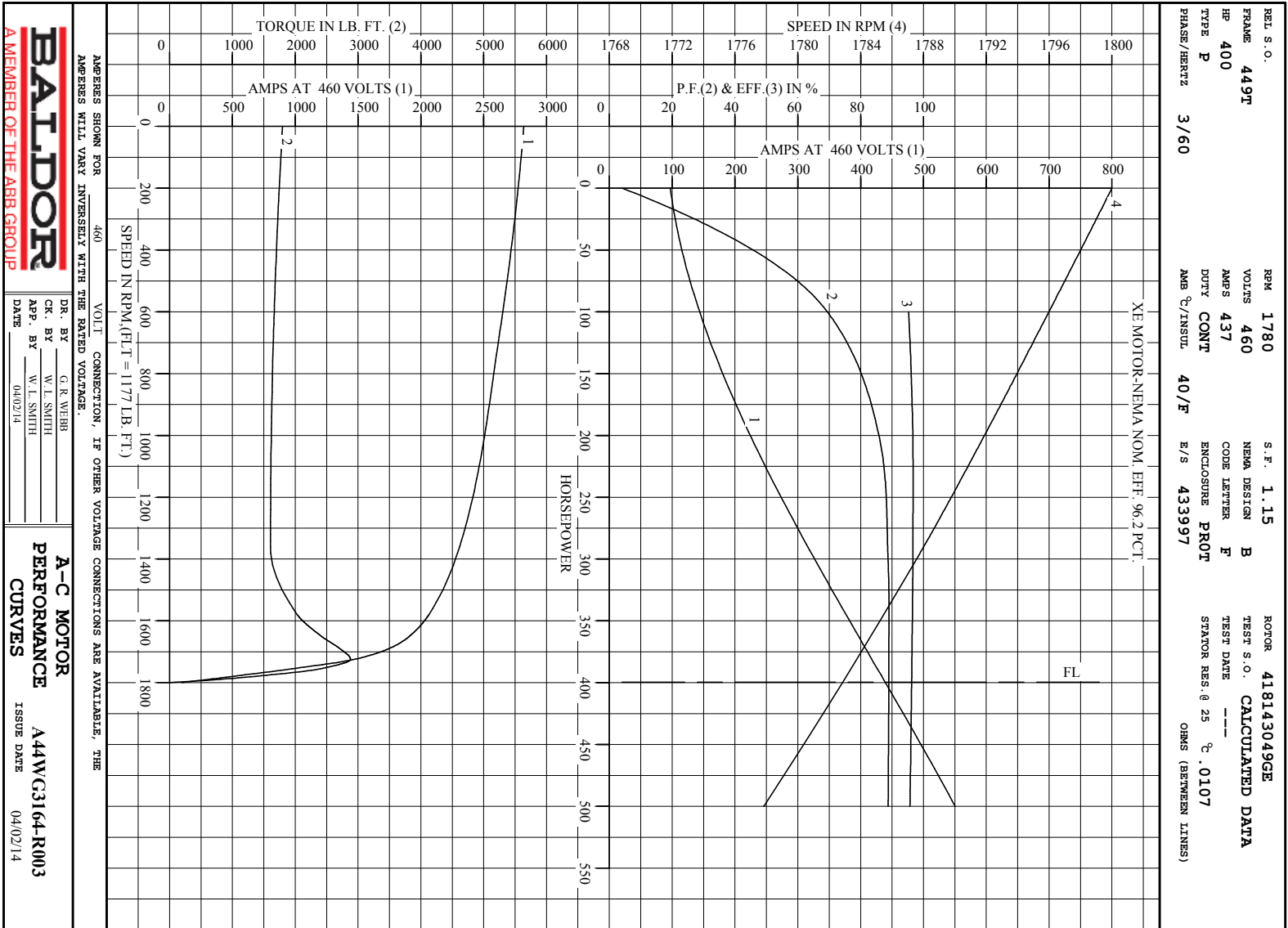
AMPERES SHOWN FOR 460. VOLT CONNECTION. IF OTHER VOLTAGE CONNECTIONS ARE AVAILABLE, THE AMPERES WILL VARY INVERSELY WITH THE RATED VOLTAGE

REMARKS : CALCULATED DATA
 XE MOTOR-NEMA NOM. EFF. 96.2 PCT.



DR. BY G. R. WEBB
 CK. BY W. I. SMITH
 APP. BY W. I. SMITH
 DATE 04/02/14

A-C MOTOR PERFORMANCE DATA
 A44WG3164-R003
 ISSUE DATE 04/02/14



Printed on 4/2/14 10:23 @ ragsun

DUTY MASTER ALTERNATING CURRENT MOTORS
SQUIRREL-CAGE INDUCTION

604989-505

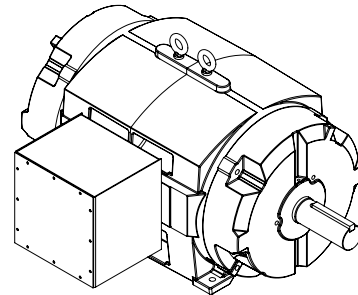
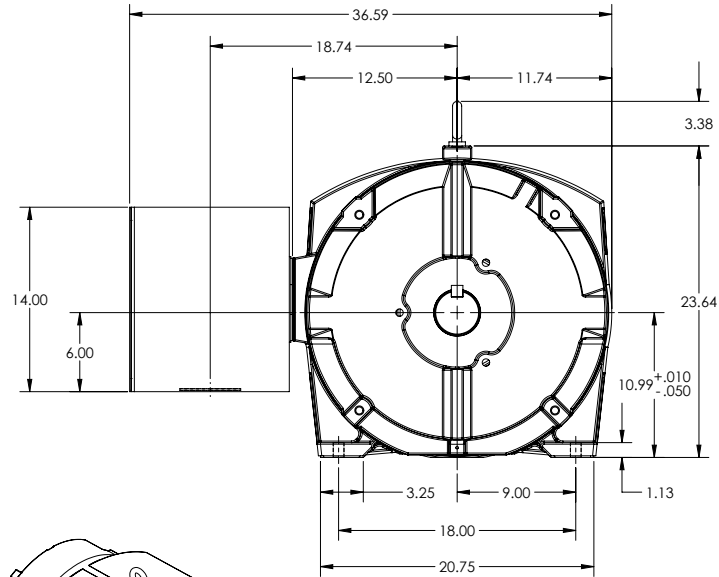
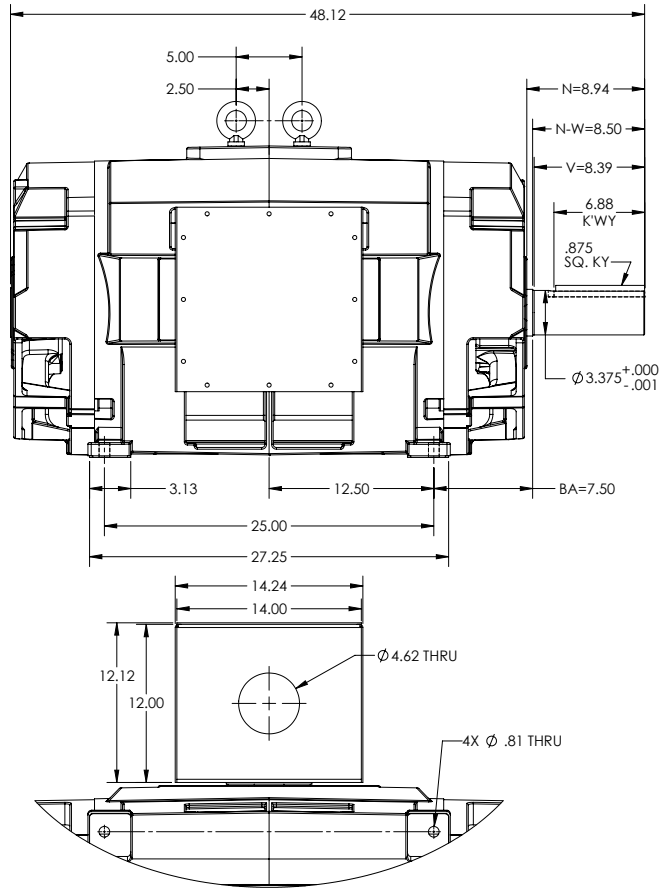
ENCLOSURE: PROTECTED; OPEN DRIP PROOF

FRAME E449T

COOLING: SELF-VENTILATED

MOUNTING: FOOT, F-1 SIDE

14X14X12 FABRICATED STEEL C/BOX



IF MOUNTING CLEARANCE DETAILS ARE REQUIRED, CONSULT FACTORY.

MAXIMUM PERMISSIBLE SHAFT RUNOUT WHEN MEASURED AT END OF STANDARD SHAFT EXTENSION IS .003" T.I.R.

MOTOR WRIGHT: 2100 LBS
*MAY VARY BY 15% DEPENDING ON RATING

DIMENSIONS ARE IN INCHES

CUSTOMER IS RESPONSIBLE FOR DETERMINING THAT MOTOR PERFORMANCE IS SUITABLE IN THE APPLICATION.

SHEET NUMBER
1 OF 1

505-686109

REV. A	VERSION: 01	REVISED: 11-08-13 11/19/2015	TDR: 00000953052
MODEL NO. 604989-505			
BY: USBRCHA2			

BALDOR

449T PROT F-1 FT - 14X14X12 FAB STL C/BOX

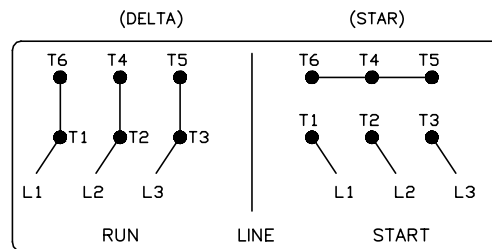
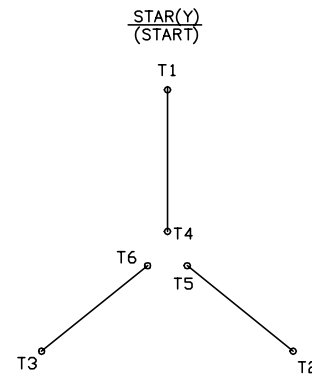
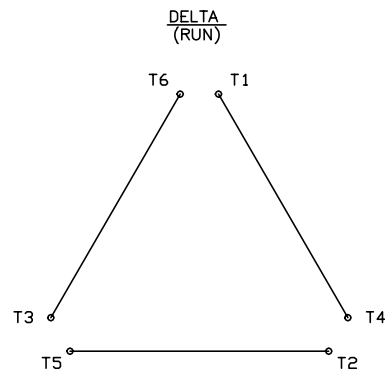
505-686109

416820-008

A-C MOTOR CONNECTION DIAGRAM

STANDARD 6 LEAD

Y START - DELTA RUN



< N. P. 1767-DC >

416820-008

REV. DESC: ADDED T4 TO Y CONNECT DIAGRAM		
REV. LTR: D	VERSION: 04	TDR: 000000847713
FILE: \RAG\00001\808	REVISED: 10: 41: 26 04/08/2014	BY: RAGJSS1
MTL: -	Ⓢ □	

BALDOR

CONNECT DIAGRAM STD 6 LEAD Y START DELTA RUN

SH 1 of 1

Marketing maintained PDF of MN408:

<http://www.baldor.com/support/Literature/Load.ashx/MN408?ManNumber=MN408>

Marketing maintained PDF of MN416:

<http://www.baldor.com/support/Literature/Load.ashx/MN416?ManNumber=MN416>