

BALDOR® • ***RELIANCE***

Product Information Packet

EM3211TA

3HP,1755RPM,3PH,60HZ,182T,3631M,OPSB,F1

Part Detail							
Revision:	L	Status:	PRD/A	Change #:		Proprietary:	No
Type:	AC	Prod. Type:	3632M	Elec. Spec:	36WGS576	CD Diagram:	CD0007
Enclosure:	OPSB	Mfg Plant:		Mech. Spec:	36B101	Layout:	36LYB101
Frame:	182T	Mounting:	F1	Poles:	04	Created Date:	09-17-2010
Base:	RG	Rotation:	R	Insulation:	F	Eff. Date:	09-07-2016
Leads:	12#16					Replaced By:	
Literature:		Elec. Diagram:					

Nameplate NP2601L										
CAT.NO.	EM3211TA									
SPEC.	36B101S576G1									
HP	3									
VOLTS	230/460									
AMP	8.8/4.4									
RPM	1760									
FRAME	182T				HZ	60			PH	3
SER.F.	1.15		CODE	K	DES	B		CL	F	
NEMA-NOM-EFF	89.5		PF	75						
RATING	40C AMB-CONT									
CC	010A				USABLE AT 208V			8.9		
DE	6206				ODE	6205				
ENCL	OPSB		SN							

Parts List		
Part Number	Description	Quantity
SA203252	SA 36B101S576G1	1.000 EA
RA190513	RA 36B101S576G1	1.000 EA
36CB3004	36 CB CASTING W/1.09 DIA LEAD HOLE @ 6:0	1.000 EA
51XB1016A08	10-16X 1/2HXWSSLD SERTYB	2.000 EA
11XW1032G06	10-32 X .38, TAPTITE II, HEX WSHR SLTD U	1.000 EA
HW3001B01	BRASS CUP WASHER, FOR #8 SCREW	1.000 EA
36EP3200A01	FR ENDPLATE, ASSEMBLY FOR ROUTING	1.000 EA
HW4500A01	1641B(ALEMITE)400 UNIV, GREASE FITT	1.000 EA
HW5100A05	WVY WSHR F/205 & 304 BRGS	1.000 EA
36PE3201A01	PU ENDPLATE, ASSEMBLY FOR ROUTING	1.000 EA
HW4500A01	1641B(ALEMITE)400 UNIV, GREASE FITT	1.000 EA
XY2520A12	1/4-20 HEX NUT, DIRECTIONAL SERRATIONS	4.000 EA
36CB4516	36 LIPPED CB LID	1.000 EA
51XW0832A07	8-32 X .44, TAPTITE II, HEX WSHR SLTD SE	4.000 EA
HW2501E16	3KEY, 1/4 SQ X 1.750	1.000 EA
HA7000A02	KEY RETAINER RING, 1 1/8 DIA, 1 3/8 DIA	1.000 EA
85XU0407S04	4X1/4 U DRIVE PIN STAINLESS	2.000 EA
MJ1000A02	GREASE, POLYREX EM EXXON (USe 4824-15A)	0.050 LB
MG1000Y03	MUNSELL 2.53Y 6.70/ 4.60, GLOSS 20,	0.022 GA
HA3101A25	THRUBOLT 1/4-20 X 11.000 OHIO ROD	4.000 EA
36AD2004A01	BAFFLE PLATE,MOD 36-SLTD BAND MTRS DELTA	2.000 EA
LB1118	LABEL,WARNING (ROLL LABEL)	1.000 EA
LC0007	CONNECTION LABEL	1.000 EA
NP2601L	ALUM SUPER-E UL CSA-EEV PREM CC THERMAL	1.000 EA

Parts List (continued)		
Part Number	Description	Quantity
36PA1000	PKG GRP, PRINT PK1016A06	1.000 EA
MN416A01	TAG-INSTAL-MAINT no wire (1000/bx) 11/14	1.000 EA

AC Induction Motor Performance Data

Record # 41081 - Typical performance - not guaranteed values

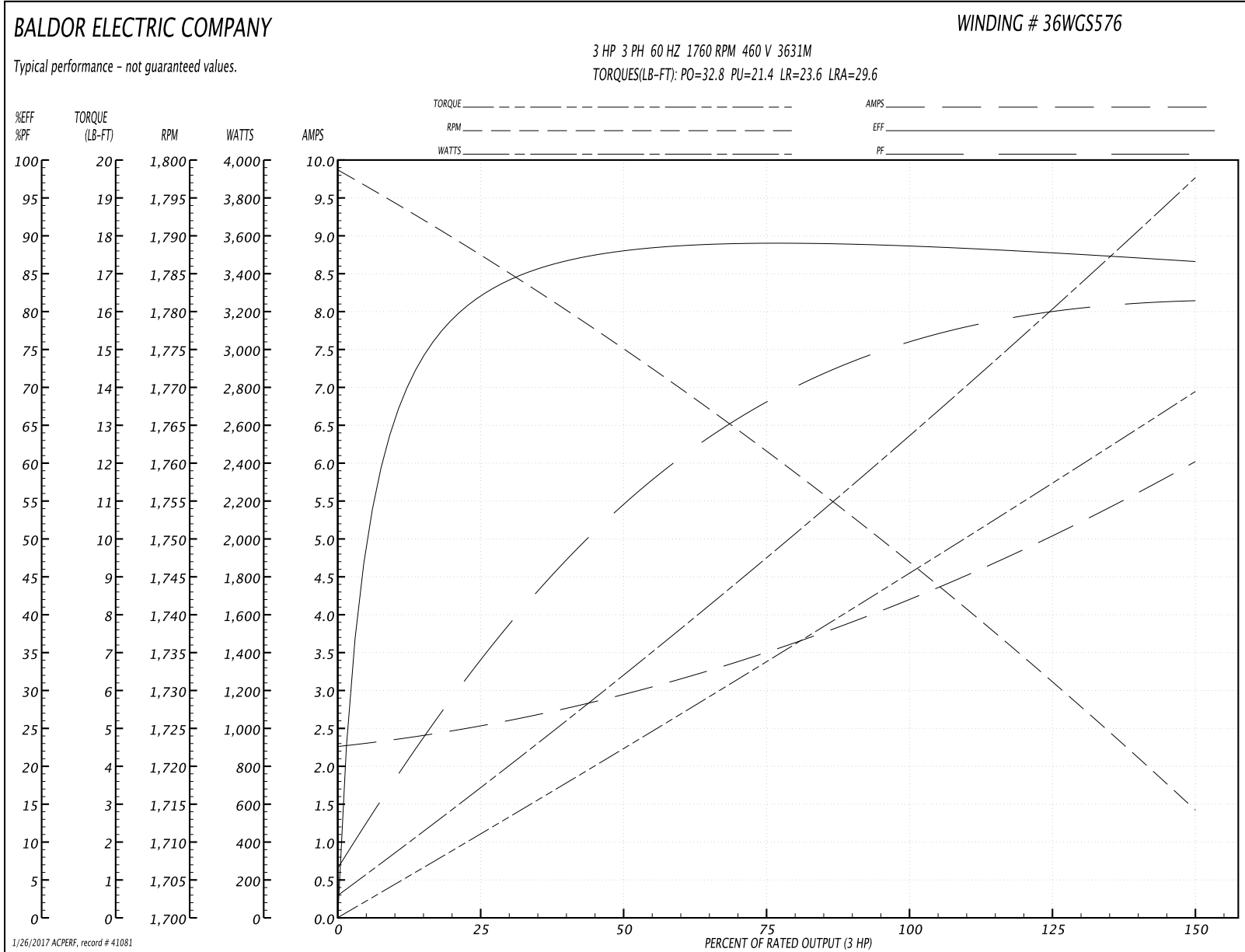
Winding: 36WGS576-R001	Type: 3631M	Enclosure: OPSB
-------------------------------	--------------------	------------------------

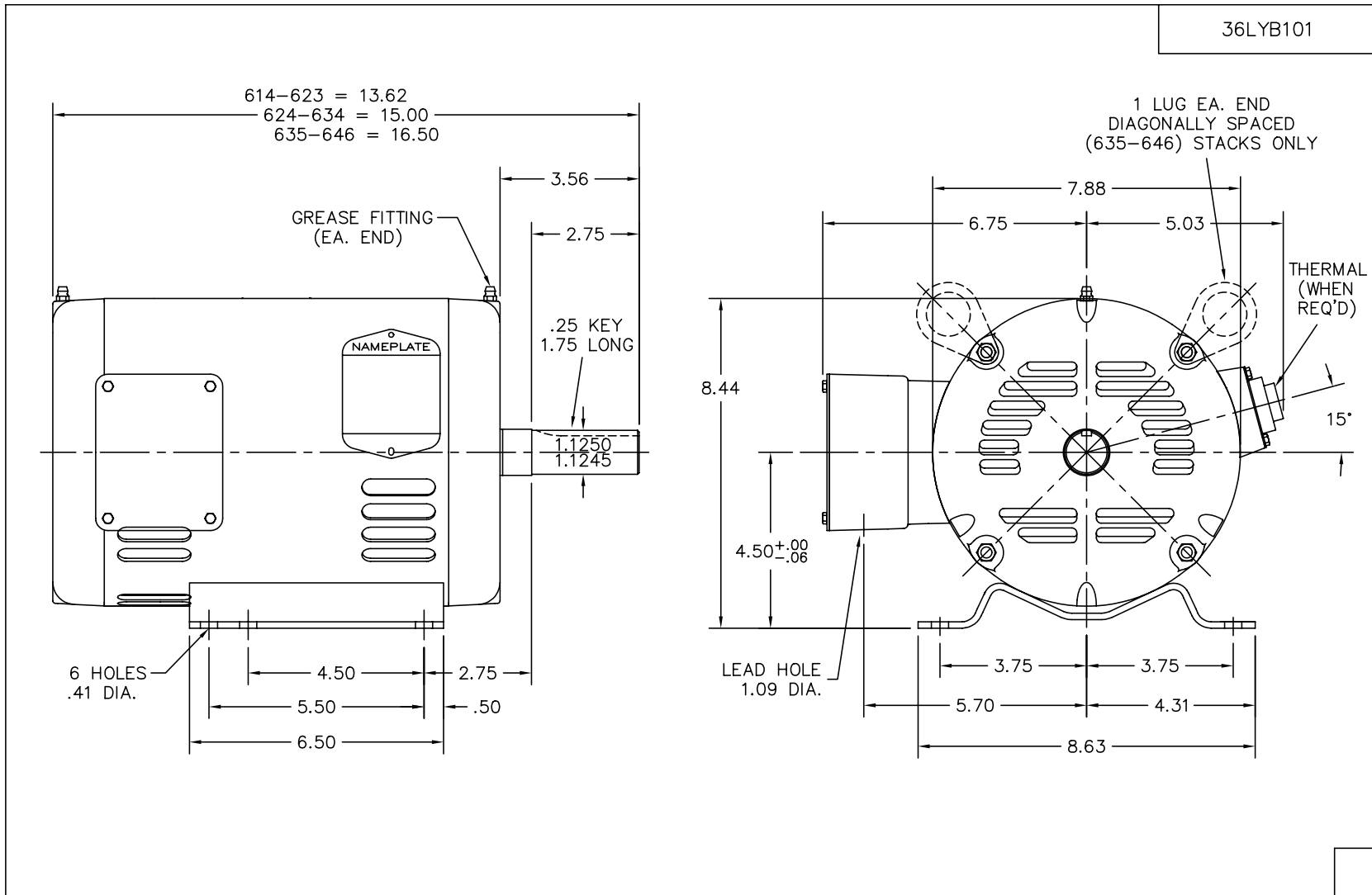
Nameplate Data				460 V, 60 Hz: High Voltage Connection	
Rated Output (HP)	3			Full Load Torque	9.13 LB-FT
Volts	230/460			Start Configuration	direct on line
Full Load Amps	8.8/4.4			Breakdown Torque	32.8 LB-FT
R.P.M.	1760			Pull-up Torque	21.4 LB-FT
Hz	60	Phase	3	Locked-rotor Torque	23.6 LB-FT
NEMA Design Code	B	KVA Code	K	Starting Current	29.6 A
Service Factor (S.F.)	1.15			No-load Current	2.3 A
NEMA Nom. Eff.	89.5	Power Factor	75	Line-line Res. @ 25°C	3.9718 Ω
Rating - Duty	40C AMB-CONT			Temp. Rise @ Rated Load	25°C
S.F. Amps				Temp. Rise @ S.F. Load	30°C

Load Characteristics 460 V, 60 Hz, 3 HP

% of Rated Load	25	50	75	100	125	150	S.F.
Power Factor	36	56	68	75	79	82	77
Efficiency	82.3	87.9	89	88.7	87.7	86.3	88.1
Speed	1786.7	1774.4	1761.1	1746.7	1731.5	1713.8	1738
Line amperes	2.5	2.93	3.54	4.25	5.08	5.99	4.75

Performance Graph at 460V, 60Hz, 3.0HP Typical performance - Not guaranteed values

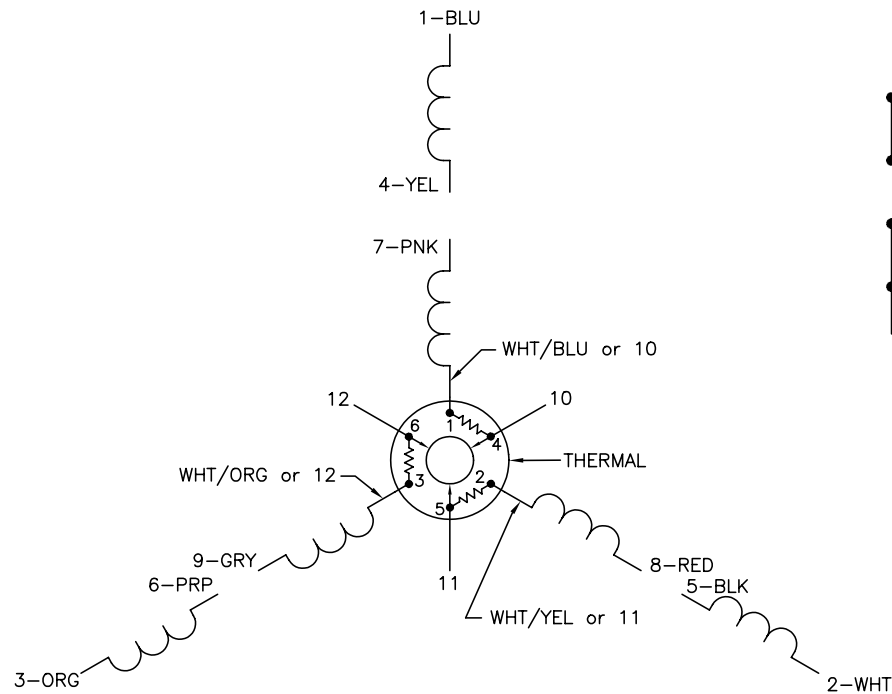




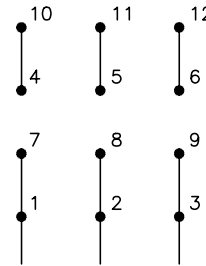
CUST. NAME		CUST. P.O.		CERTIFIED BY		MODEL		INSUL		AMB	
H.P.		MTG		TYPE		R.P.M.		VOLTS		ENCL	
REV. LTR: D		BY: SSS		REVISED: 04/24/99 11:4		TDR: 0179838		PHASE		FREQ	
101BY192		FILE: AAA00015992		MDL: -		MTL: -		STD HORZ 182-4T OPSB 36M		36LYB101	

BALDOR ELECTRIC Co.

CD0007

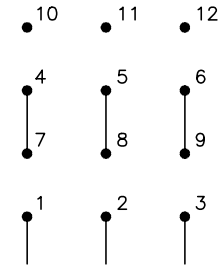


LOW VOLTAGE
(2Y)



LINE

HIGH VOLTAGE
(1Y)



LINE

NOTES:

1. INTERCHANGE ANY TWO LINE LEADS TO REVERSE ROTATION.
2. ACTUAL NUMBER OF INTERNAL PARALLEL CIRCUITS MAY VARY.
3. LEAD COLORS ARE OPTIONAL. LEADS MUST ALWAYS BE NUMBERED AS SHOWN.

REV. DESC: ADDED "CK" PLANT CODE			
REV. LTR: E	BY: EAH	REVISED: 05/06/99 17:1	TDR: 0181040
L00000		FILE: AAA00008370	MDL: -
		MTL: -	

BALDOR ELECTRIC Co.

3PH, DV, THERMAL, 12 LEADS

CD0007