

BALDOR® • **RELIANCE**

Product Information Packet

EM4404T

75HP, 1185RPM, 3PH, 60HZ, 405T, A4072M, TEFC, F

Part Detail							
Revision:	H	Status:	PRD/A	Change #:		Proprietary:	No
Type:	AC	Prod. Type:	A40064M	Elec. Spec:	A40WG0770	CD Diagram:	416820-002
Enclosure:	TEFC	Mfg Plant:		Mech. Spec:		Layout:	617429-001
Frame:	405T	Mounting:	F1	Poles:	06	Created Date:	07-17-2013
Base:		Rotation:	R	Insulation:	B	Eff. Date:	01-18-2017
Leads:	3#2,6#4					Replaced By:	
Literature:		Elec. Diagram:					

Nameplate NP2383L									
CAT.NO.	EM4404T			SPEC NO.	P40G3931				
HP	75	AMPS	174/86.9		VOLTS	230/460		DESIGN	B
FRAME	405T	RPM	1185	HZ	60	AMB	40	SF	1.15
DRIVE END BEARING	80BC03J30X		PHASE	3	DUTY	CONT		INSUL.CLASS	F
OPP D.E. BEARING	80BC03J30X		TYPE	P	ENCL	TEFC	CODE	G	
SER.NO.				POWER FACTOR	85		NEMA-NOM-EFFICIENCY	95	
NEMA NOM/CSA QUOTED EFF				MAX CORR KVAR	15		GUARANTEED EFFICIENCY	94.1	
				MOTOR WEIGHT	1300				

Parts List		
Part Number	Description	Quantity
SA267720	SA P40G3931	1.000 EA
RA254390	RA P40G3931	1.000 EA
000613006PU	N/P (RELEASE QTY 10,000) UL CSA LABLE	1.000 EA
000692000VD	LABEL WARNING	1.000 EA
000692000FF	N/P	1.000 EA
NP2383L	SUPER-E ,SS, CC, CSA-C US, CSA EEV	1.000 EA
421948032	LABEL, MYLAR	1.000 EA
004824015A	GREASE POLYREX EM	0.884 LB
032018008CK	HHCS 3/8-16X1L PLATED	4.000 EA
032018008CK	HHCS 3/8-16X1L PLATED	4.000 EA
032018020EK	HHCS 5/8-11X2-1/2 PLTD.	4.000 EA
032018024CK	HHCS 3/8-16X3 PLTD.	3.000 EA
034000014AB	WSH ID.406 OD.812 TH.065	4.000 EA
034180012DA	KEY 1X4X1/4X1-1/2 L	1.000 EA
034530052AB	P/NIP 1/8X6-1/2 GALV.	1.000 EA
034530056BB	P/NIP 1/4X7 SCHED 40	1.000 EA
034690001AB	SQHDPLG, COND	1.000 EA
034692005AA	P PLUG 3/4"BLK.	1.000 EA
034631002AB	BUSH 1/4 TO 1/8 PLTD.	1.000 EA
034690001AB	SQHDPLG, COND	1.000 EA
078550001H	FAN KB 120/60 360	1.000 EA
083198101A	G400 STD FAN COVER MACHINING	1.000 EA
089412501A	BRKT FTMT G400 FIN MACH 6316 89412500WCA	1.000 EA
410700000DA	WAVY SPRING WASHER	1.000 EA

Parts List (continued)		
Part Number	Description	Quantity
415072001B	CLAMP	1.000 EA
415096002A	CPLG 1/8 HEX TYPE	1.000 EA
032018020EK	HHCS 5/8-11X2-1/2 PLTD.	4.000 EA
032018024CK	HHCS 3/8-16X3 PLTD.	3.000 EA
034690002AB	"unbulked" PPLG 1/4" PLTD.	1.000 EA
034690001AB	SQHDPLG, COND	1.000 EA
089412501A	BRKT FTMT G400 FIN MACH 6316 89412500WCA	1.000 EA
032018005AK	HHCS 1/4-20X5/8 PLATED	4.000 EA
033512004LB	HHTTS 1/4-20X1/2 PLTD.	1.000 EA
035000001A	ALFTG 1/8" 1610-BL	1.000 EA
035000001A	ALFTG 1/8" 1610-BL	1.000 EA
043292000AJ	GASK 320-400	1.000 EA
077176000L	C/BOX, PAINTED 360-400	1.000 EA
077176001A	CBOXC, PAINTED 360-400	1.000 EA
402731001A	GASK 360-440	1.000 EA
406099000A	PLUG - FAN COVER 320-440	1.000 EA
415000103D	T/LUG #4AWG-1/0AWG W/HOLE FOR .250 BOLT	1.000 EA
418150003A	GREASE FITTING CAP	1.000 EA
418150003A	GREASE FITTING CAP	1.000 EA
MG1000Y03	MUNSELL 2.53Y 6.70/ 4.60, GLOSS 20,	0.375 GA
033775004EA	DRSCR #6-1/4 304 S.S.	2.000 EA
034180044JA	KEY 3/4X3/4X5-1/2 L	1.000 EA
PK5004A01	WOODEN BASE ASSY,314-316 FR.	1.000 EA

REL. S.O.	FRAME	HP	TYPE	PHASE/ HERTZ	RPM	VOLTS
	405T	75	P	3/60	1185	230/460
AMPS	DUTY	AMB °C/ INSUL.	S.F.	NEMA DESIGN	CODE LETTER	ENCL.
174/86.9	CONT	40/F	1.15	B	G	TEFC-XEX
E/S	ROTOR	TEST S.O.	TEST DATE	STATOR RES. @25 °C OHMS (BETWEEN LINES)		
496234	418142-71-EE	---	---	.0215/.0860		

PERFORMANCE

LOAD	HP	AMPERES	RPM	POWER FACTOR %	EFFICIENCY %
NO LOAD	0	31.0	1200	4.11	0
1/4	18.8	37.2	1197	51.1	92.5
2/4	37.5	50.7	1194	73.0	95.0
3/4	56.2	67.7	1190	81.6	95.3
4/4	75.0	86.9	1187	85.1	95.0
5/4	93.8	108	1183	86.2	94.4

SPEED TORQUE

	RPM	TORQUE % FULL LOAD	TORQUE LB.-FT.	AMPERES
LOCKED ROTOR	0	165	549	541
PULL UP	400	156	519	509
BREAKDOWN	1132	243	808	302
FULL LOAD	1187	100	332	86.9

AMPERES SHOWN FOR 460. VOLT CONNECTION. IF OTHER VOLTAGE CONNECTIONS ARE AVAILABLE, THE AMPERES WILL VARY INVERSELY WITH THE RATED VOLTAGE

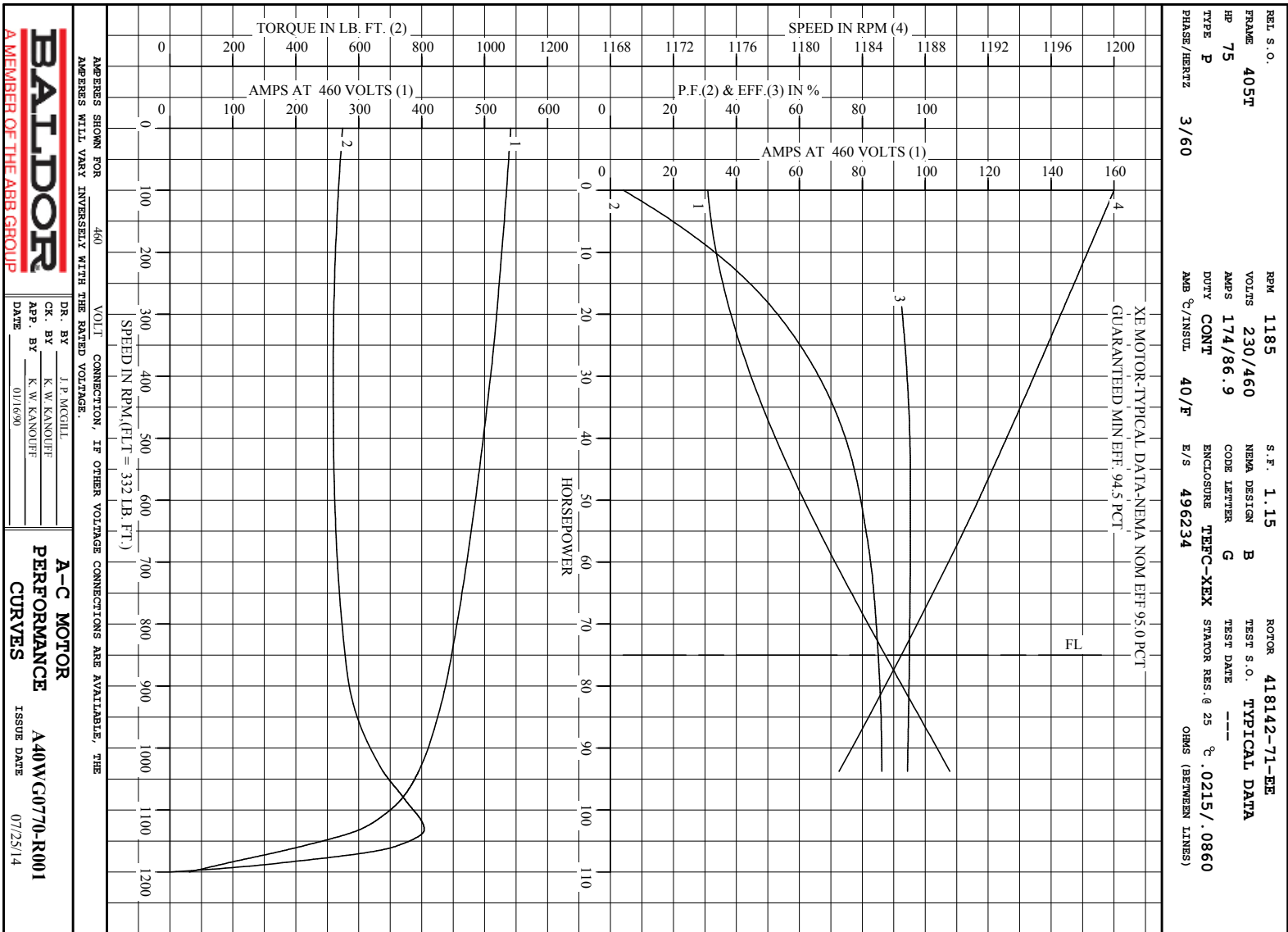
REMARKS: TYPICAL DATA

XE MOTOR-TYPICAL DATA-NEMA NOM EFF 95.0 PCT
GUARANTEED MIN EFF. 94.5 PCT



DR. BY J. P. MCGILL
CK. BY K. W. KANOUE
APP. BY K. W. KANOUE
DATE 01/16/90

A-C MOTOR PERFORMANCE DATA
A40MG0770-R001
ISSUE DATE 07/25/14



BALDOR
A MEMBER OF THE ABB GROUP

DR. BY J. P. MCCULL
 CK. BY K. W. KANOUFF
 App. BY K. W. KANOUFF
 DATE 01/16/90

A-C MOTOR
PERFORMANCE
CURVES
 A40W0770-R001
 ISSUE DATE 07/25/14

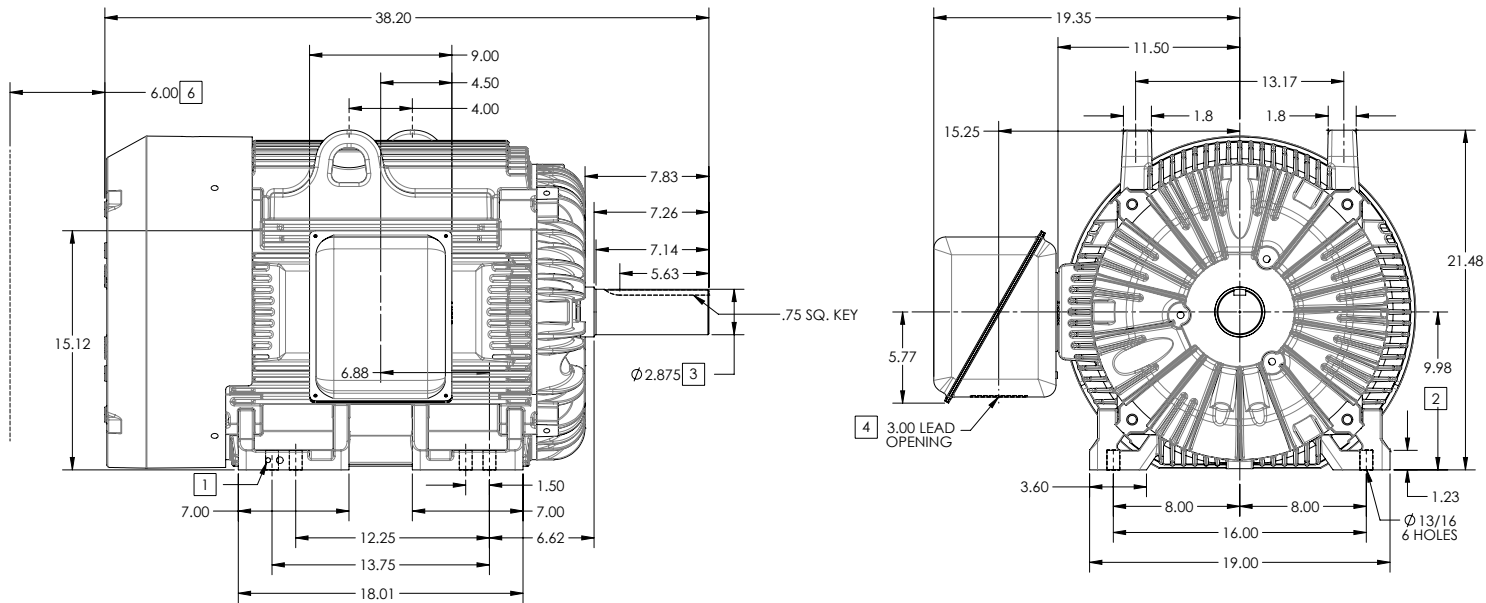
Printed on 7/25/14 18:12 @ paces-motorseng

DUTY MASTER ALTERNATING CURRENT MOTORS
SQUIRREL-CAGE INDUCTION

ENCLOSURE: TOTALLY ENCLOSED
MOUNTING: FOOT

FRAME G405T ABOVE NEMA RATINGS
INCLUDES 404T FRAME MOUNTING HOLES

COOLING: FAN COOLED
STANDARD INDUSTRIAL ENCLOSURE



1. GROUND HOLES QTY 1 1/2-13 TAP; QTY 1 3/8-16 TAP
2. VARIES +.00,-.06
3. VARIES +.00,-.001
4. ON STANDARD MOTORS THIS IS CONDUIT SIZE. ON XT AND CORROSION PROOF MOTOR THIS IS PIPE TAP.
5. MOTOR WEIGHTS MAY VARY BY 15% DEPENDING ON RATING.
6. OBSTRUCTION MUST NOT ENCROACH ON AIR INLET

[5] WEIGHT (LBS): 1350

CONDUIT BOX LOCATED ON OPPOSITE SIDE WHEN F-2.
IF MOUNTING CLEARANCE DETAILS ARE REQUIRED, CONSULT FACTORY.
MAXIMUM PERMISSIBLE SHAFT RUNOUT WHEN MEASURED AT END OF STANDARD SHAFT EXTENSION IS .003" T.I.R. TO 5 INCH DIA.

DIMENSIONS ARE IN INCHES; SEE SHEET 2 FOR DIMENSIONS IN MILLIMETERS

CUSTOMER IS RESPONSIBLE FOR DETERMINING THAT MOTOR PERFORMANCE IS SUITABLE IN THE APPLICATION.

SHEET NUMBER
1 OF 2

100-672-119

REV. DESC: CHANGE BA FROM 6.76 TO 6.62		REVISED: 11-40-02 04/14/2014		TDR: 00000848770	
REV: B	VERSION: 02	MODEL NO. 617429-001	BY: MGHMMZ	REF:	
Material:			C		

BALDOR

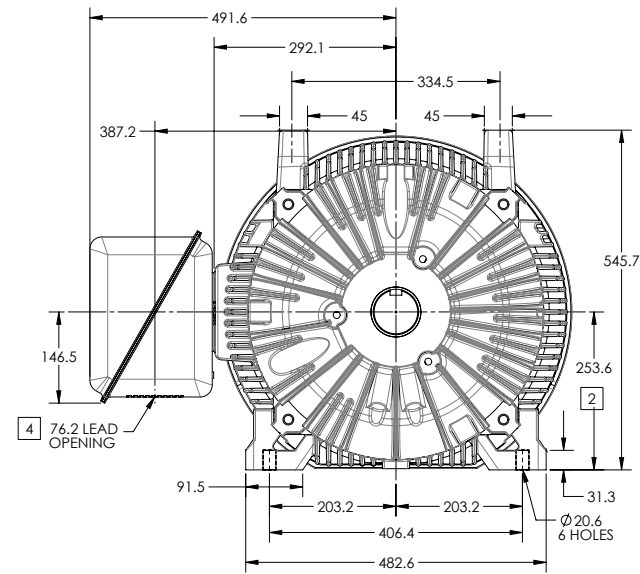
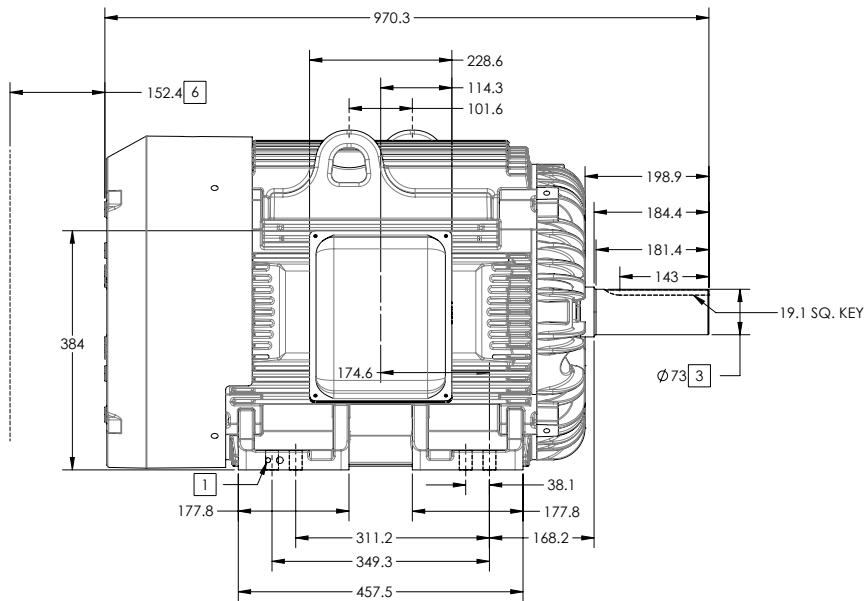
G405T-404T STD - FOOTED - STANDARD ENCLOSURE

DUTY MASTER ALTERNATING CURRENT MOTORS
SQUIRREL-CAGE INDUCTION

ENCLOSURE: TOTALLY ENCLOSED
MOUNTING: FOOT

FRAME G405T ABOVE NEMA RATINGS
INCLUDES 404T FRAME MOUNTING HOLES

COOLING: FAN COOLED
STANDARD INDUSTRIAL ENCLOSURE



1. GROUND HOLES QTY 1 1/2-13 TAP; QTY 1 3/8-16 TAP
2. VARIES +0,-1.5
3. VARIES +00,-.03
4. ON STANDARD MOTORS THIS IS CONDUIT SIZE. ON XT AND CORROSION PROOF MOTOR THIS IS PIPE TAP.
5. MOTOR WEIGHTS MAY VARY BY 15% DEPENDING ON RATING.
6. OBSTRUCTION MUST NOT ENCROACH ON AIR INLET

[5] WEIGHT (KGS): 620

CONDUIT BOX LOCATED ON OPPOSITE SIDE WHEN F-2.
IF MOUNTING CLEARANCE DETAILS ARE REQUIRED, CONSULT FACTORY.
MAXIMUM PERMISSIBLE SHAFT RUNOUT WHEN MEASURED AT END OF STANDARD SHAFT EXTENSION IS .08 MM T.I.R. TO 127 MM DIA.

DIMENSIONS ARE IN MILLIMETERS; SEE SHEET 1 FOR DIMENSIONS IN INCHES

CUSTOMER IS RESPONSIBLE FOR DETERMINING THAT MOTOR PERFORMANCE IS SUITABLE IN THE APPLICATION.

SHEET NUMBER
2 OF 2

100-627219

REV. DESC: CHANGE BA FROM 6.76 TO 6.62	TDR: 00000848770
REV: B VERSION: 02	REVISED: 11-30-02 04/14/2014
MODEL NO. 617429-001	REF:
BY: MGHMMZ	Material:

BALDOR

G405T-404T STD - FOOTED - STANDARD ENCLOSURE

Marketing maintained PDF of MN408:

<http://www.baldor.com/support/Literature/Load.ashx/MN408?ManNumber=MN408>

Marketing maintained PDF of MN416:

<http://www.baldor.com/support/Literature/Load.ashx/MN416?ManNumber=MN416>