

BALDOR® • RELIANCE

Product Information Packet

EM7120T

1//1.5HP,975//1170RPM,3PH,50//60HZ,182T

Part Detail							
Revision:	G	Status:	PRD/A	Change #:		Proprietary:	No
Type:	AC	Prod. Type:	0630M	Elec. Spec:	06WGW969	CD Diagram:	CD0005
Enclosure:	XPFC	Mfg Plant:		Mech. Spec:	06J001	Layout:	06LYJ001
Frame:	182T	Mounting:	F1	Poles:	06	Created Date:	10-17-2011
Base:	RG	Rotation:	R	Insulation:	B	Eff. Date:	05-12-2015
Leads:	9#16					Replaced By:	
Literature:		Elec. Diagram:					

Nameplate NP1426XPSL	
NO.	<input type="text"/> CC 010A
SER.	<input type="text"/>
SPEC.	06J001W969G1
CAT.NO.	EM7120T
HP	1.5//1 T. CODE T3C
VOLTS	230/460//190/380
AMPS	5/2.5//4.4/2.2
RPM	1170//975
HZ	60//50 PH 3 CL B
SER.F.	1.00 DES B CODE K
RATING	40C AMB-CONT
FRAME	182T NEMA-NOM-EFF 87.5
USABLE AT 208V	PF 65
BLANK	<input type="text"/>

Parts List		
Part Number	Description	Quantity
SA232793	SA 06J001W969G1	1.000 EA
RA219794	RA 06J001W969G1	1.000 EA
36FN3000C01	EXFN, PLASTIC, 5.25 OD, .912 ID	1.000 EA
HW3201A05	3/8-16 EYEBOLT	1.000 EA
07CB1000A02	CONDUIT BOX, MODEL 306,EXP. PROOF	1.000 EA
10XN2520A12	O1/4-20X 3/4 HEX HEAD CAP	4.000 EA
HW1001A25	LOCKWASHER 1/4, ZINC PLT .493 OD, .255 I	4.000 EA
WD1000B17	T&B CX35TN TERMINAL	1.000 EA
51XN1032A06	10-32 X .38 HEX SLOTTED SERRATED WASHER	1.000 EA
06EP1706A01	SPECIAL FRONT ENDPLATE X06M - TEFC	1.000 EA
HW4500A19	1/4-28X1/4 SLOTTED PLUG F/S	2.000 EA
10XN3118K20	5/16-18 X 1 1/4 GRADE 5 STEEL ZC PLATED	4.000 EA
HW1001A31	LOCKWASHER 5/16, ZINC PLT.591 OD, .319 I	4.000 EA
HW5100A05	WVY WSHR F/205 & 304 BRGS	1.000 EA
36EP1701A07	PULLEY ENDPLATE 06X 206 BRG	1.000 EA
HW4500A19	1/4-28X1/4 SLOTTED PLUG F/S	2.000 EA
10XN3118K20	5/16-18 X 1 1/4 GRADE 5 STEEL ZC PLATED	4.000 EA
HW1001A31	LOCKWASHER 5/16, ZINC PLT.591 OD, .319 I	4.000 EA
51XB1214A16	12-14X1.00 HXWSSLD SERTYB	1.000 EA
06FH1003A01	FAN COVER, CAST X-PROOF--MACHINING	1.000 EA
51XN1032A14	10-32 X 0.875 HX WS SL SR	4.000 EA
07CB1502A01	CONDUIT BOX LID MACH (DUCTILE IRON)	1.000 EA
10XN2520A16	1/4-20 X 1 HEX HEAD CAP SCR, ZINC PLATED	4.000 EA
HW1001A25	LOCKWASHER 1/4, ZINC PLT .493 OD, .255 I	4.000 EA

Parts List (continued)		
Part Number	Description	Quantity
HW2501E16	3KEY, 1/4 SQ X 1.750	1.000 EA
HA7000A02	KEY RETAINER RING, 1 1/8 DIA, 1 3/8 DIA	1.000 EA
LB1081F	ALUM XP CAUTION LABEL (FS PLANT ONLY-	1.000 EA
LB1115N	LABEL,LIFTING DEVICE (ON ROLLS)	1.000 EA
85XU0407S04	4X1/4 U DRIVE PIN STAINLESS	6.000 EA
MJ1000A02	GREASE, POLYREX EM EXXON (USe 4824-15A)	0.050 LB
MG1025G29	WILKOFASST, 789.229, DARK CHARCOAL GRAY	0.028 GA
LB1119N	WARNING LABEL	1.000 EA
LC0145B01	CONNECTION LABEL	1.000 EA
NP1426XPSL	SS XP UL CSA CC CL-I GP-D CL-II GP-F&G	1.000 EA
G0PA1000	PKG GRP, PRINT PK1026A06	1.000 EA
MN416A01	TAG-INSTAL-MAINT no wire (1000/bx) 11/14	1.000 EA

AC Induction Motor Performance Data

Record # 50509 - Typical performance - not guaranteed values

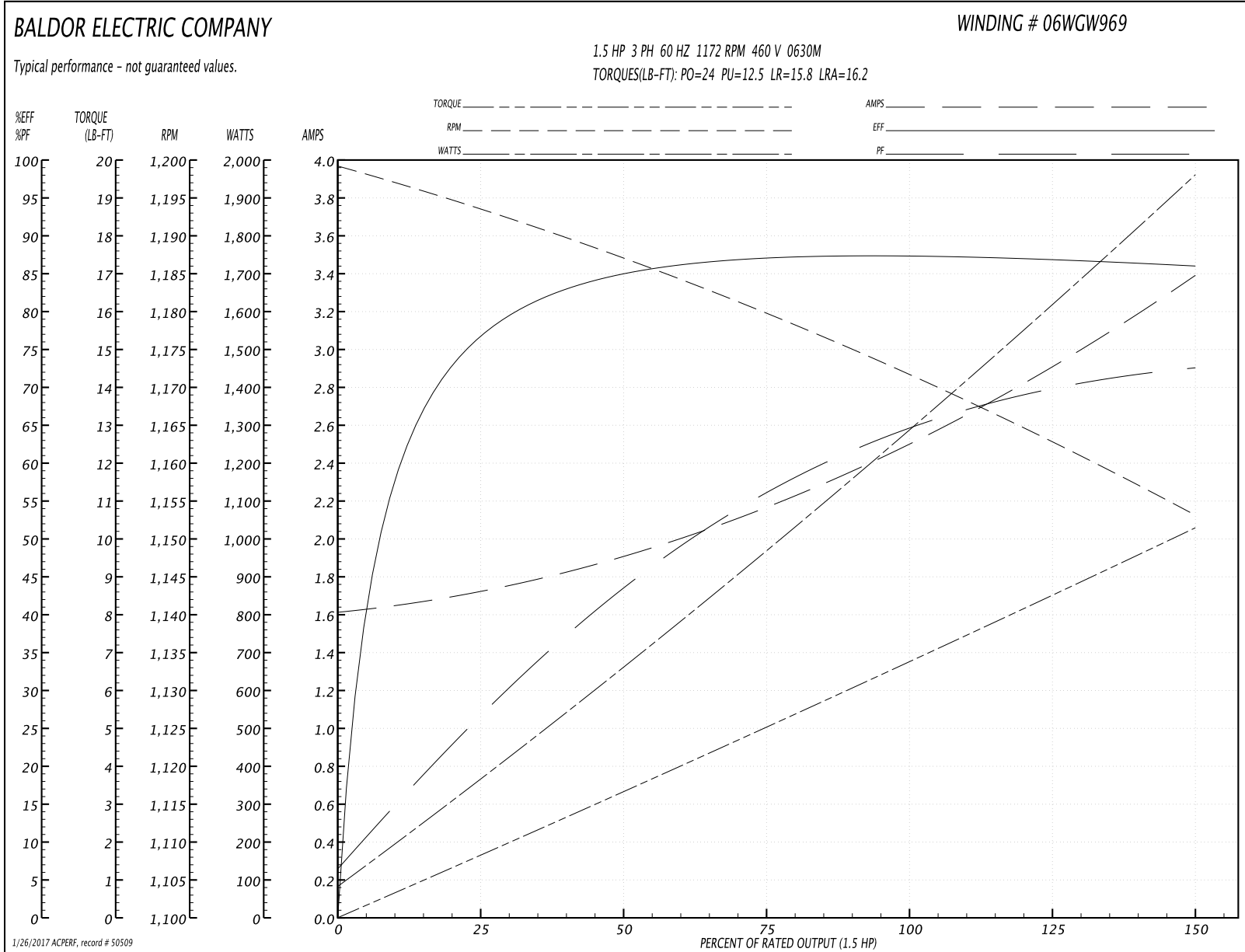
Winding: 06WGW969-R013	Type: 0630M	Enclosure: XPFC
-------------------------------	--------------------	------------------------

Nameplate Data				460 V, 60 Hz: High Voltage Connection	
Rated Output (HP)	1.5//1			Full Load Torque	6.77 LB-FT
Volts	230/460//190/380			Start Configuration	direct on line
Full Load Amps	5/2.5//4.4/2.2			Breakdown Torque	24 LB-FT
R.P.M.	1170//975			Pull-up Torque	12.5 LB-FT
Hz	60//50	Phase	3	Locked-rotor Torque	15.8 LB-FT
NEMA Design Code	B	KVA Code	K	Starting Current	16.2 A
Service Factor (S.F.)	1			No-load Current	1.63 A
NEMA Nom. Eff.	87.5	Power Factor	65	Line-line Res. @ 25°C	7.01 Ω
Rating - Duty	40C AMB-CONT			Temp. Rise @ Rated Load	26°C
				Locked-rotor Power Factor	30.4
				Rotor inertia	0.282 LB-FT ²

Load Characteristics 460 V, 60 Hz, 1.5 HP

% of Rated Load	25	50	75	100	125	150
Power Factor	27	44	56	64	69	73
Efficiency	76.3	84.8	86.9	87.6	87.1	85.9
Speed	1194	1187	1179	1172	1163	1153
Line amperes	1.7	1.9	2.18	2.51	2.92	3.38

Performance Graph at 460V, 60Hz, 1.5HP Typical performance - Not guaranteed values



AC Induction Motor Performance Data

Record # 50510 - Typical performance - not guaranteed values

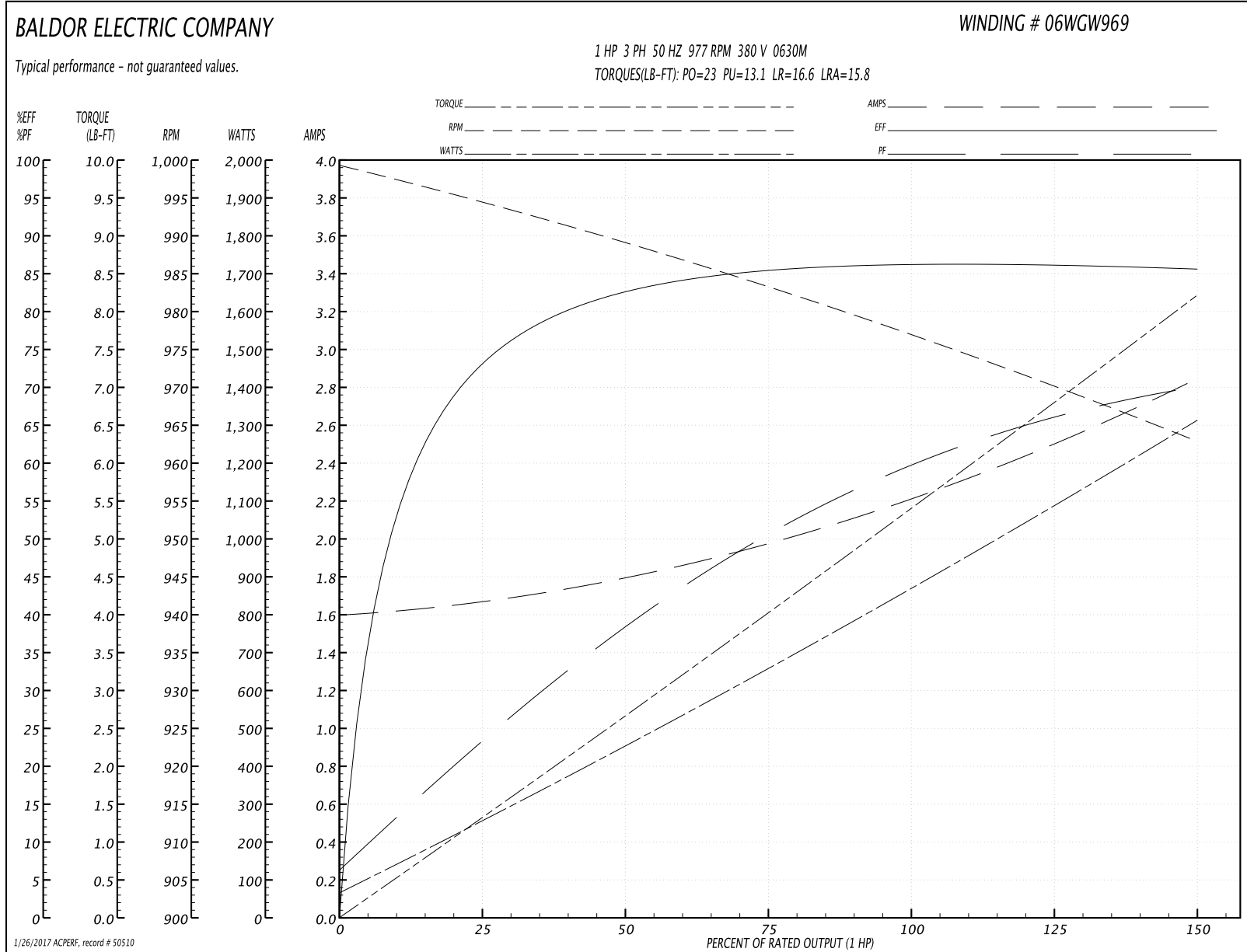
Winding: 06WGW969-R013	Type: 0630M	Enclosure: XPFC
-------------------------------	--------------------	------------------------

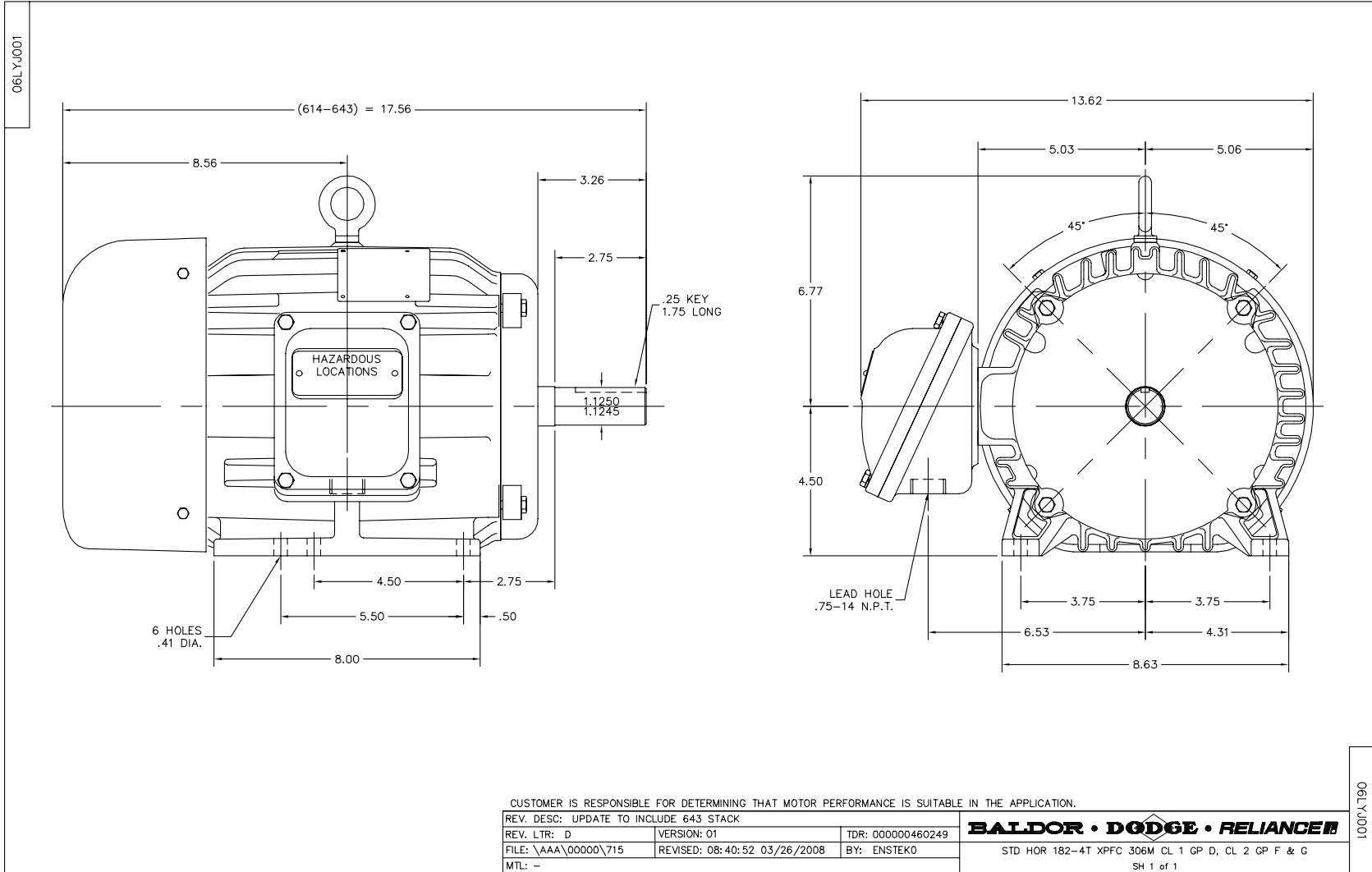
Nameplate Data				380 V, 50 Hz: High Voltage Connection	
Rated Output (HP)	1.5//1			Full Load Torque	5.41 LB-FT
Volts	230/460//190/380			Start Configuration	direct on line
Full Load Amps	5/2.5//4.4/2.2			Breakdown Torque	23 LB-FT
R.P.M.	1170//975			Pull-up Torque	13.1 LB-FT
Hz	60//50	Phase	3	Locked-rotor Torque	16.6 LB-FT
NEMA Design Code	B	KVA Code	K	Starting Current	15.8 A
Service Factor (S.F.)	1			No-load Current	1.61 A
NEMA Nom. Eff.	87.5	Power Factor	65	Line-line Res. @ 25°C	7.01 Ω
Rating - Duty	40C AMB-CONT			Temp. Rise @ Rated Load	21°C
				Locked-rotor Power Factor	34.4
				Rotor inertia	0.282 LB-FT ²

Load Characteristics 380 V, 50 Hz, 1 HP

% of Rated Load	25	50	75	100	125	150
Power Factor	24	39	50	60	66	70
Efficiency	72.6	82.4	85.3	86.5	86.4	85.5
Speed	995	989	983	977	970	963
Line amperes	1.65	1.79	1.99	2.21	2.51	2.84

Performance Graph at 380V, 50Hz, 1.0HP Typical performance - Not guaranteed values

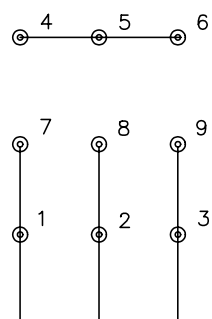




CD0005

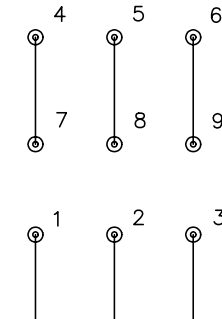


LOW VOLTAGE
(2Y)



LINE

HIGH VOLTAGE
(1Y)



LINE

NOTES:

1. INTERCHANGE ANY TWO LINE LEADS TO REVERSE ROTATION.
2. OPTIONAL THERMOSTATS ARE PROVIDED WHEN SPECIFIED.
3. ACTUAL NUMBER OF INTERNAL PARALLEL CIRCUITS MAY BE A MULTIPLE OF THOSE SHOWN ABOVE.
4. LEAD COLORS ARE OPTIONAL. LEADS MUST ALWAYS BE NUMBERED AS SHOWN.

REV. DESC: REVISE TO SHOW OPTIONAL COLORS			
REV. LTR: E	BY: JLP	REVISED: 01/19/99 10:15	TDR: 0171435
90000		FILE: AAA00005140	MDL: -
		MTL: -	

BALDOR ELECTRIC Co.

3PH, DV, 9 LEADS

CD0005