

BALDOR® • **RELIANCE**

Product Information Packet

EM7172T

5//3HP,3480//2900RPM,3PH,60//50HZ,184T,0

Part Detail							
Revision:	A	Status:	PRD/A	Change #:		Proprietary:	No
Type:	AC	Prod. Type:	0628M	Elec. Spec:	06WGX782	CD Diagram:	CD0005
Enclosure:	XPFC	Mfg Plant:		Mech. Spec:	06J001	Layout:	06LYJ001
Frame:	184T	Mounting:	F1	Poles:	02	Created Date:	05-07-2015
Base:	RG	Rotation:	R	Insulation:	B	Eff. Date:	08-31-2016
Leads:	9#16					Replaced By:	
Literature:		Elec. Diagram:					

Nameplate NP1426XPSLEV	
NO.	[] CC 010A
SER.	[]
SPEC.	06J001X782G1
CAT.NO.	EM7172T
HP	5//3 T. CODE T3C
VOLTS	230/460//190/380
AMPS	11.6/5.8//9/4.5
RPM	3480//2900
HZ	60//50 PH 3 CL B
SER.F.	1.00 DES A CODE L
RATING	40C AMB-CONT
FRAME	184T NEMA-NOM-EFF 88.5
USABLE AT 208V	12.4 PF 90
BLANK	[]

Parts List		
Part Number	Description	Quantity
SA301002	SA 06J001X782G1	1.000 EA
RA288071	RA 06J001X782G1	1.000 EA
34FN3002B02	EXTERNAL FAN, PLASTIC, .905/.907 HUB W/	1.000 EA
HW3201A05	3/8-16 EYEBOLT	1.000 EA
07CB1000A02	CONDUIT BOX, MODEL 306,EXP. PROOF	1.000 EA
10XN2520A12	O1/4-20X 3/4 HEX HEAD CAP	4.000 EA
HW1001A25	LOCKWASHER 1/4, ZINC PLT .493 OD, .255 I	4.000 EA
WD1000B17	T&B CX35TN TERMINAL	1.000 EA
51XN1032A06	10-32 X .38 HEX SLOTTED SERRATED WASHER	1.000 EA
06EP1706A01	SPECIAL FRONT ENDPLATE X06M - TEFC	1.000 EA
HW4500A19	1/4-28X1/4 SLOTTED PLUG F/S	2.000 EA
10XN3118K20	5/16-18 X 1 1/4 GRADE 5 STEEL ZC PLATED	4.000 EA
HW1001A31	LOCKWASHER 5/16, ZINC PLT.591 OD, .319 I	4.000 EA
HW5100A05	WVY WSHR F/205 & 304 BRGS	1.000 EA
36EP1701A07	PULLEY ENDPLATE 06X 206 BRG	1.000 EA
HW4500A19	1/4-28X1/4 SLOTTED PLUG F/S	2.000 EA
10XN3118K20	5/16-18 X 1 1/4 GRADE 5 STEEL ZC PLATED	4.000 EA
HW1001A31	LOCKWASHER 5/16, ZINC PLT.591 OD, .319 I	4.000 EA
51XB1214A16	12-14X1.00 HXWSSLD SERTYB	1.000 EA
06FH1003A01	FAN COVER, CAST X-PROOF--MACHINING	1.000 EA
51XN1032A14	10-32 X 0.875 HX WS SL SR	4.000 EA
07CB1502A01	CONDUIT BOX LID MACH (DUCTILE IRON)	1.000 EA
10XN2520A16	1/4-20 X 1 HEX HEAD CAP SCR, ZINC PLATED	4.000 EA
HW1001A25	LOCKWASHER 1/4, ZINC PLT .493 OD, .255 I	4.000 EA

Parts List (continued)		
Part Number	Description	Quantity
HW2501E16	3KEY, 1/4 SQ X 1.750	1.000 EA
HA7000A02	KEY RETAINER RING, 1 1/8 DIA, 1 3/8 DIA	1.000 EA
LB1081F	ALUM XP CAUTION LABEL (FS PLANT ONLY-	1.000 EA
LB1115N	LABEL,LIFTING DEVICE (ON ROLLS)	1.000 EA
85XU0407S04	4X1/4 U DRIVE PIN STAINLESS	6.000 EA
MJ1000A02	GREASE, POLYREX EM EXXON (USe 4824-15A)	0.050 LB
MG1025G29	WILKOFASST, 789.229, DARK CHARCOAL GRAY	0.028 GA
LB1119N	WARNING LABEL	1.000 EA
LC0145B01	CONNECTION LABEL	1.000 EA
NP1426XPSLEV	SS XP UL CSA-EEV CC CL-I GP-D	1.000 EA
G0PA1000	PKG GRP, PRINT PK1026A06	1.000 EA
MN416A01	TAG-INSTAL-MAINT no wire (1000/bx) 11/14	1.000 EA

AC Induction Motor Performance Data

Record # 50651 - Typical performance - not guaranteed values

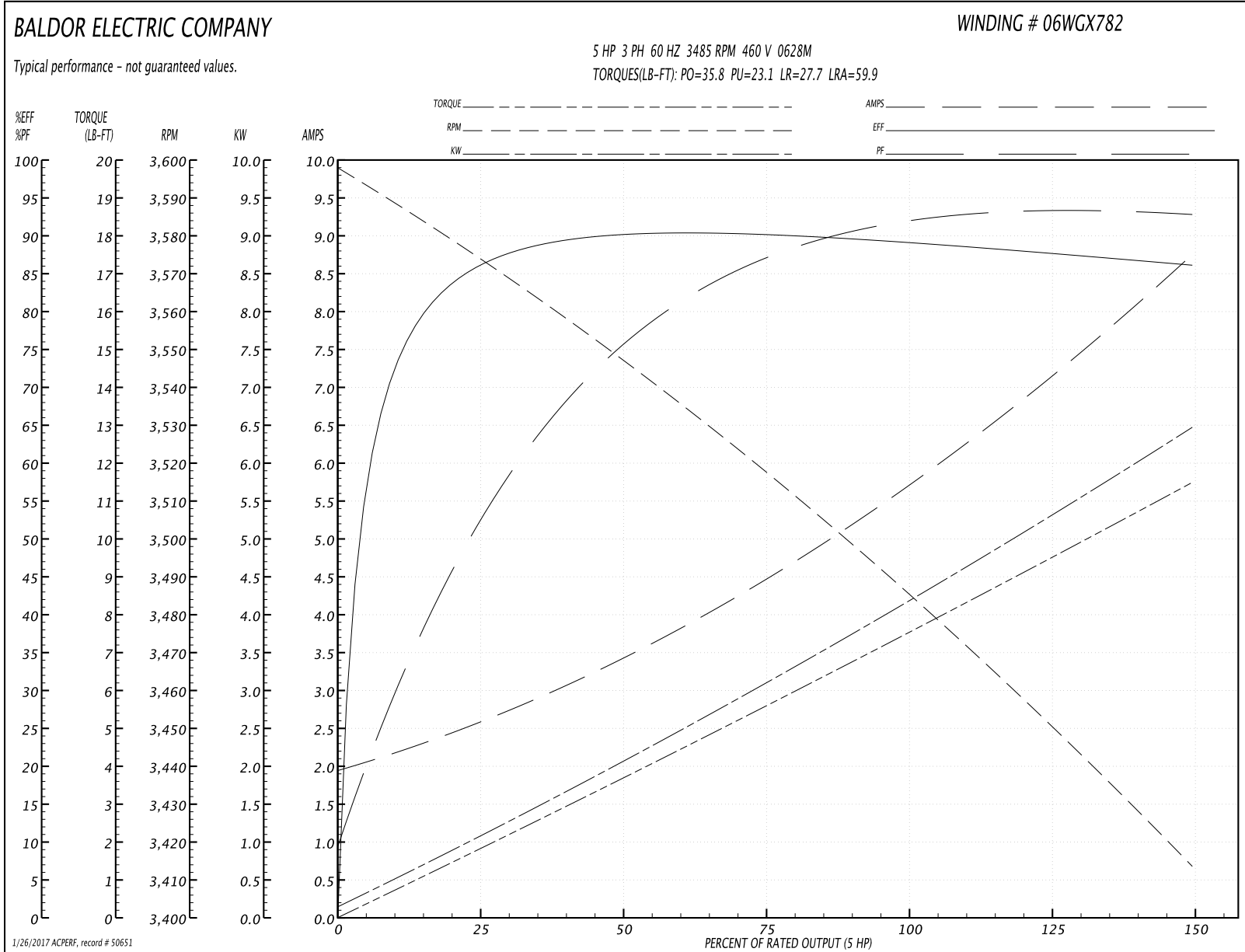
Winding: 06WGX782-R002	Type: 0628M	Enclosure: XPFC
-------------------------------	--------------------	------------------------

Nameplate Data				460 V, 60 Hz: High Voltage Connection	
Rated Output (HP)	5//3			Full Load Torque	7.55 LB-FT
Volts	230/460//190/380			Start Configuration	direct on line
Full Load Amps	11.6/5.8//9/4.5			Breakdown Torque	35.8 LB-FT
R.P.M.	3480//2900			Pull-up Torque	23.1 LB-FT
Hz	60//50	Phase	3	Locked-rotor Torque	27.7 LB-FT
NEMA Design Code	A	KVA Code	L	Starting Current	59.9 A
Service Factor (S.F.)	1			No-load Current	2.05 A
NEMA Nom. Eff.	88.5	Power Factor	90	Line-line Res. @ 25°C	2.79 Ω
Rating - Duty	40C AMB-CONT			Temp. Rise @ Rated Load	57°C
				Locked-rotor Power Factor	50.9
				Rotor inertia	0.125 LB-FT ²

Load Characteristics 460 V, 60 Hz, 5 HP

% of Rated Load	25	50	75	100	125	150
Power Factor	56	77	86	91	93	94
Efficiency	85.6	89.8	90.2	89.3	87.9	86
Speed	3574	3547	3517	3485	3452	3413
Line amperes	2.45	3.35	4.53	5.8	7.17	8.69

Performance Graph at 460V, 60Hz, 5.0HP Typical performance - Not guaranteed values



AC Induction Motor Performance Data

Record # 50652 - Typical performance - not guaranteed values

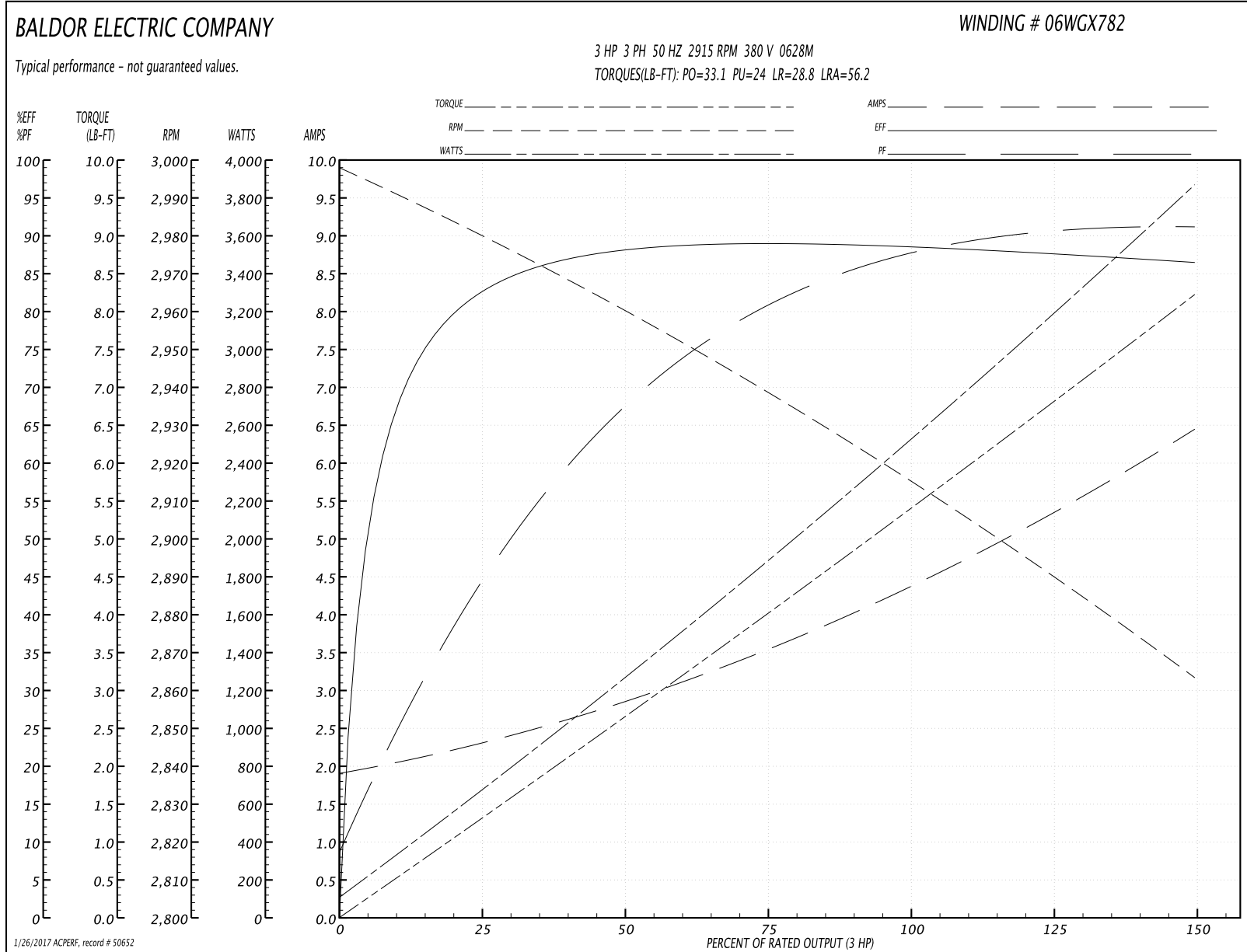
Winding: 06WGX782-R002	Type: 0628M	Enclosure: XPFC
-------------------------------	--------------------	------------------------

Nameplate Data				380 V, 50 Hz: High Voltage Connection	
Rated Output (HP)	5//3			Full Load Torque	5.42 LB-FT
Volts	230/460//190/380			Start Configuration	direct on line
Full Load Amps	11.6/5.8//9/4.5			Breakdown Torque	33.1 LB-FT
R.P.M.	3480//2900			Pull-up Torque	24 LB-FT
Hz	60//50	Phase	3	Locked-rotor Torque	28.8 LB-FT
NEMA Design Code	A	KVA Code	L	Starting Current	56.2 A
Service Factor (S.F.)	1			No-load Current	1.98 A
NEMA Nom. Eff.	88.5	Power Factor	90	Line-line Res. @ 25°C	2.79 Ω
Rating - Duty	40C AMB-CONT			Temp. Rise @ Rated Load	38°C
				Locked-rotor Power Factor	57.4
				Rotor inertia	0.125 LB-FT ²

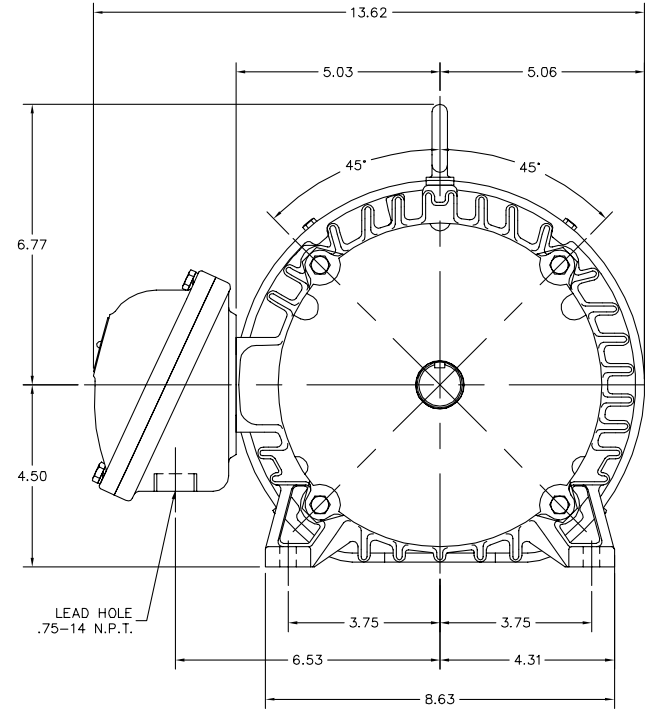
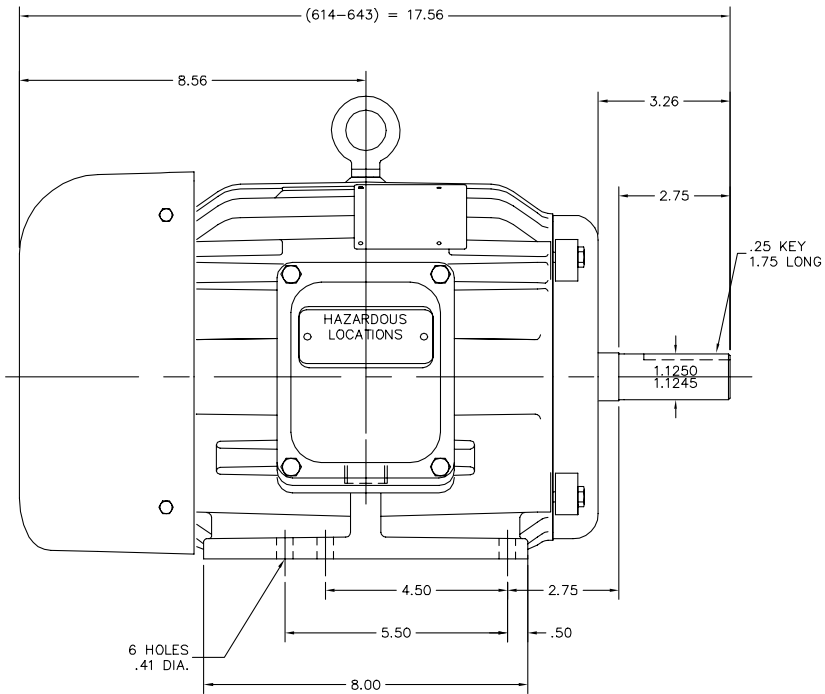
Load Characteristics 380 V, 50 Hz, 3 HP

% of Rated Load	25	50	75	100	125	150
Power Factor	47	69	80	87	90	92
Efficiency	82	87.8	89	88.8	87.8	86.4
Speed	2980	2960	2938	2915	2891	2863
Line amperes	2.22	2.8	3.59	4.44	5.37	6.4

Performance Graph at 380V, 50Hz, 3.0HP Typical performance - Not guaranteed values



06LYJ001



CUSTOMER IS RESPONSIBLE FOR DETERMINING THAT MOTOR PERFORMANCE IS SUITABLE IN THE APPLICATION.

REV. DESC: UPDATE TO INCLUDE 643 STACK		
REV. LTR: D	VERSION: 01	TDR: 000000460249
FILE: \AAA\00000\715	REVISED: 08:40:52 03/26/2008	BY: ENSTEKO
MTL: -		

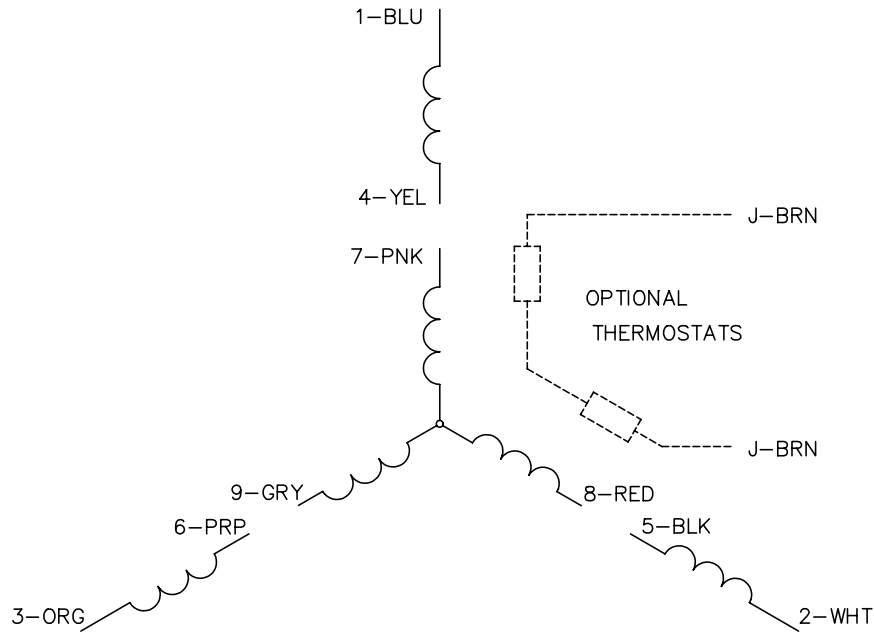
BALDOR • DODGE • RELIANCE

STD HOR 182-4T XPFC 306M CL 1 GP D, CL 2 GP F & G

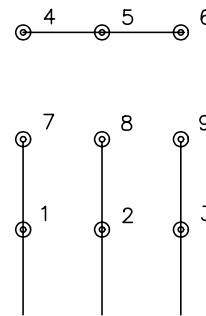
SH 1 of 1

06LYJ001

CD0005

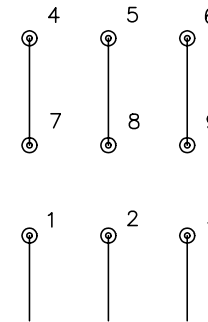


LOW VOLTAGE
(2Y)



LINE

HIGH VOLTAGE
(1Y)



LINE

NOTES:

1. INTERCHANGE ANY TWO LINE LEADS TO REVERSE ROTATION.
2. OPTIONAL THERMOSTATS ARE PROVIDED WHEN SPECIFIED.
3. ACTUAL NUMBER OF INTERNAL PARALLEL CIRCUITS MAY BE A MULTIPLE OF THOSE SHOWN ABOVE.
4. LEAD COLORS ARE OPTIONAL. LEADS MUST ALWAYS BE NUMBERED AS SHOWN.

REV. DESC: REVISE TO SHOW OPTIONAL COLORS			
REV. LTR: E	BY: JLP	REVISED: 01/19/99 10:15	TDR: 0171435
90000		FILE: AAA00005140	MDL: -
		MTL: -	

BALDOR ELECTRIC Co.

3PH, DV, 9 LEADS

CD0005