

BALDOR® • ***RELIANCE***

Product Information Packet

ERM3158TA

3HP,3450RPM,3PH,60HZ,56HZ,3530M,OPEN,F1

Part Detail							
Revision:	F	Status:	PRD/A	Change #:		Proprietary:	No
Type:	AC	Prod. Type:	3530M	Elec. Spec:	35WGP988	CD Diagram:	CD0005
Enclosure:	OPEN	Mfg Plant:		Mech. Spec:	35J829	Layout:	35LYJ829
Frame:	145TY	Mounting:	F1	Poles:	02	Created Date:	07-02-2010
Base:	RS	Rotation:	R	Insulation:	F	Eff. Date:	10-08-2015
Leads:	9#18					Replaced By:	
Literature:		Elec. Diagram:					

Nameplate NP1259L										
CAT.NO.	ERM3158TA									
SPEC.	35J829P988G1									
HP	3									
VOLTS	230/460									
AMP	7.6/3.8									
RPM	3450									
FRAME	145TY				HZ	60			PH	3
SER.F.	1.15		CODE	K	DES	B		CL	F	
NEMA-NOM-EFF	85.5		PF	87						
RATING	40C AMB-CONT									
CC	010A				USABLE AT 208V			8		
DE	6205				ODE	6203				
ENCL	OPEN		SN							

Parts List		
Part Number	Description	Quantity
SA199675	SA 35J829P988G1	1.000 EA
RA187003	RA 35J829P988G1	1.000 EA
S/P107-000-001	SUPER E PROC'S-FS, WS & CK PLTS	1.000 EA
11XT0832G06	8-32 X 3/8 TY 23 TAPPING	1.000 EA
35EP3202A01	STD OPEN FR EP - RESILIENT MTD	1.000 EA
RM1000A02	CUSHION RING, MODEL 35 SAME AS A07	1.000 EA
HA6005A01A	CLAMP CUSHION RING ASSY 35 FRAME	1.000 EA
LD5000A01	LEAD ASSY, ML1400DF14 7" RING TRM EA END	1.000 EA
51XW1032A06	10-32 X .38, TAPTITE II, HEX WSHR SLTD S	2.000 EA
HW1003A10	WASHER, #10 EX TH LK, ZN X	2.000 EA
SP1003A01	TERM. BOARD, MODE 35 SW X H-23655	1.000 EA
51XW0832A07	8-32 X .44, TAPTITE II, HEX WSHR SLTD SE	2.000 EA
WD4100A01	DP-875 HEYCO PLUG OR 62MP0875 MICRO PLAS	1.000 EA
HW5100A03SP	WAVY WASHER (W1543-017)	1.000 EA
35EP1209A01	PU ENDPLATE, MACH	1.000 EA
XY1032A02	10-32 HEX NUT DIRECTIONAL SERRATION	4.000 EA
RM1000A02	CUSHION RING, MODEL 35 SAME AS A07	1.000 EA
HA6005A01A	CLAMP CUSHION RING ASSY 35 FRAME	1.000 EA
35CB4500SP	TERMINAL BOX LID STAMPED	1.000 EA
51XW0832A07	8-32 X .44, TAPTITE II, HEX WSHR SLTD SE	2.000 EA
HW2501D13	KEY, 3/16 SQ X 1.375	1.000 EA
HA7000A01	KEY RETAINER 7/8" DIA SHAFT	1.000 EA
85XU0407S04	4X1/4 U DRIVE PIN STAINLESS	2.000 EA
MJ1000A02	GREASE, POLYREX EM EXXON (USe 4824-15A)	0.050 LB

Parts List (continued)		
Part Number	Description	Quantity
MG1000Y03	MUNSELL 2.53Y 6.70/ 4.60, GLOSS 20,	0.017 GA
HA3100A22	THRUBOLT 10-32 X 10.125	4.000 EA
35BA4002C01	RESILIENT BASE, STAMPED	1.000 EA
LC0005E01	CONN.DIA./WARNING LABEL (LC0005/LB1119N)	1.000 EA
MN416A01	TAG-INSTAL-MAINT no wire (1000/bx) 11/14	1.000 EA
NP1259L	ALUM SUPER-E UL CSA-EEV CC NEMA PREMIUM	1.000 EA
27PA1001	PKG GRP, PRINT PK1027A06	1.000 EA

AC Induction Motor Performance Data

Record # 59451 - Typical performance - not guaranteed values

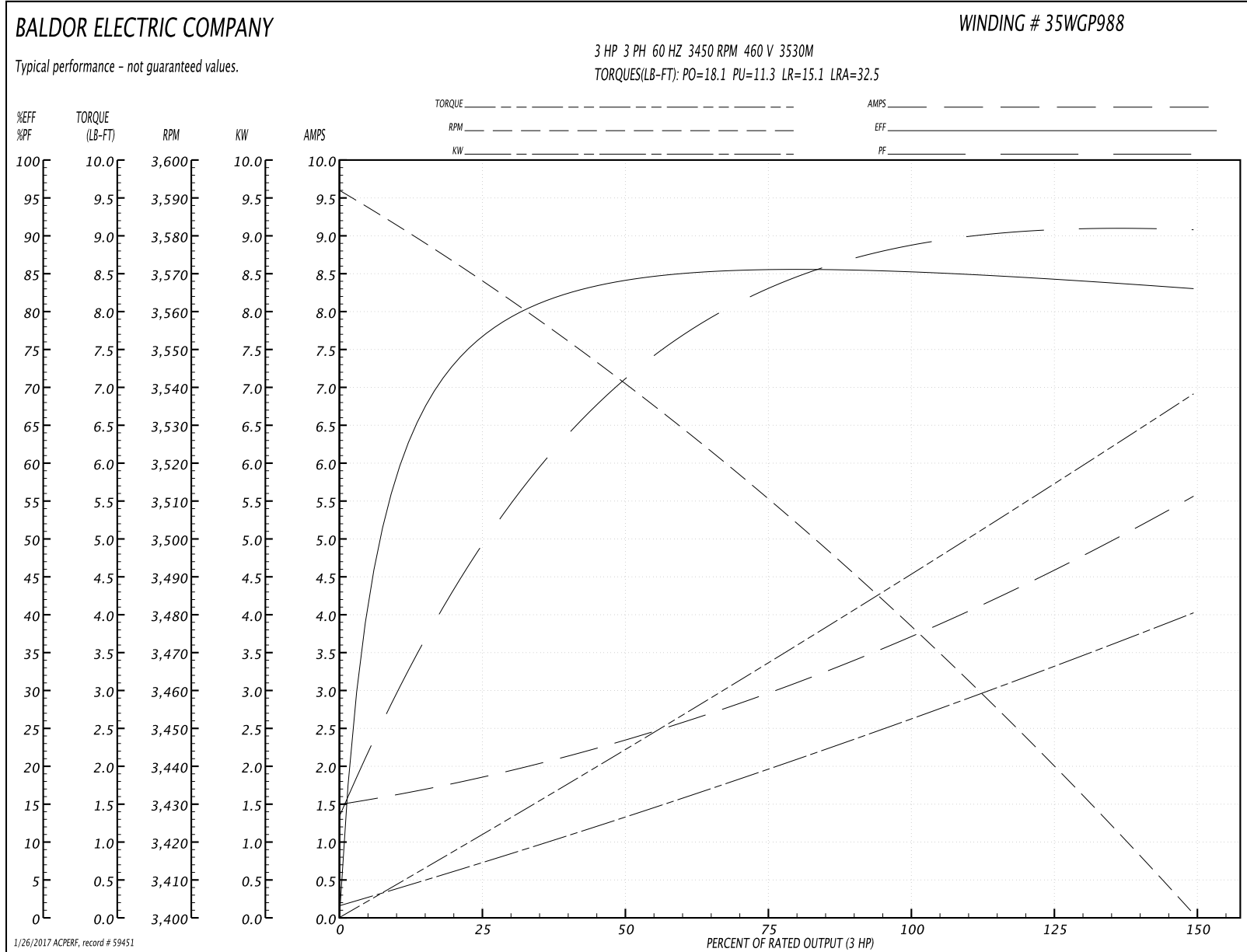
Winding: 35WGP988-R004	Type: 3530M	Enclosure: OPSB
-------------------------------	--------------------	------------------------

Nameplate Data				460 V, 60 Hz: High Voltage Connection	
Rated Output (HP)	3			Full Load Torque	4.5 LB-FT
Volts	230/460			Start Configuration	direct on line
Full Load Amps	7.6/3.8			Breakdown Torque	18.1 LB-FT
R.P.M.	3450			Pull-up Torque	11.3 LB-FT
Hz	60	Phase	3	Locked-rotor Torque	15.1 LB-FT
NEMA Design Code	B	KVA Code	K	Starting Current	32.5 A
Service Factor (S.F.)	1.15			No-load Current	1.55 A
NEMA Nom. Eff.	85.5	Power Factor	87	Line-line Res. @ 25°C	5.8893 Ω
Rating - Duty	40C AMB-CONT			Temp. Rise @ Rated Load	33°C
S.F. Amps				Temp. Rise @ S.F. Load	40°C
				Locked-rotor Power Factor	57.8
				Rotor inertia	0.0822 LB-FT ²

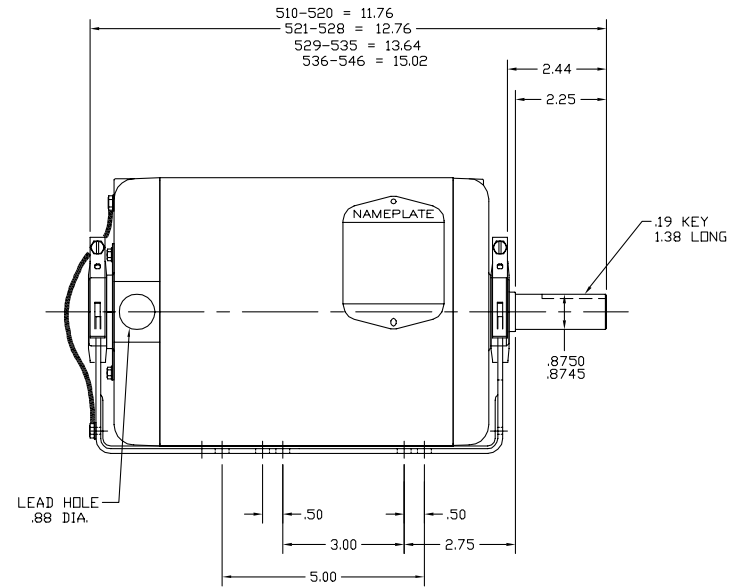
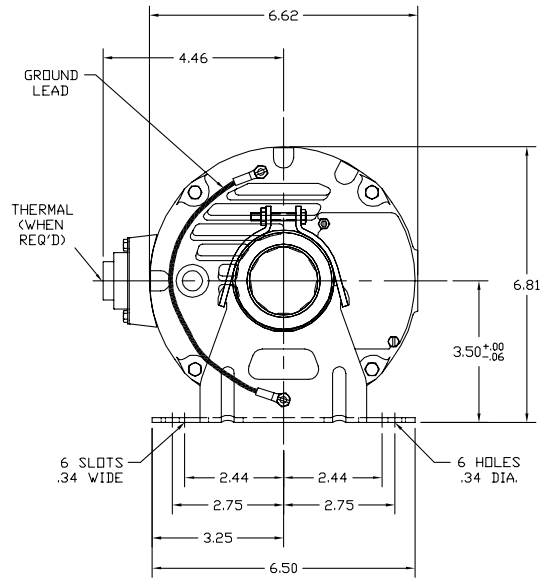
Load Characteristics 460 V, 60 Hz, 3 HP

% of Rated Load	25	50	75	100	125	150	S.F.
Power Factor	50	72	82	87	90	91	89
Efficiency	76.1	84.3	86	85.8	84.7	83	85.1
Speed	3569.1	3541.6	3510.6	3478.3	3442.7	3400.2	3457
Line amperes	1.77	2.29	2.97	3.73	4.58	5.53	4.24

Performance Graph at 460V, 60Hz, 3.0HP Typical performance - Not guaranteed values



35LYJ829



35LYJ829

CUSTOMER IS RESPONSIBLE FOR DETERMINING THAT BALDOR'S PRODUCT WILL PERFORM SUITABLY IN THE INTENDED APPLICATION.

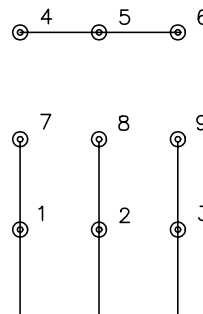
REV. DESC: CHANGED FRAME DISCRIPTION TO 143-5TY W/56HZ	VERSION: 01	TDR: 000000547795
REV. LTR: C	REVISD: 10: 37:14 07/07/2010	BY: ENJERWO
FILE: \AAA\00014\320		
MTL: -		

BALDOR • DODGE • RELIANCE
SPL HORZ 35M 143-5TY/56HZ OPEN RESIL MTD W/TERM PLATE
SH 1 of 1

CD0005

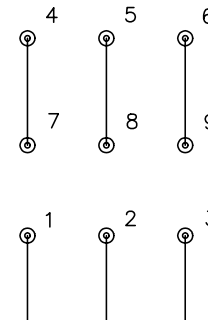


LOW VOLTAGE
(2Y)



LINE

HIGH VOLTAGE
(1Y)



LINE

NOTES:

1. INTERCHANGE ANY TWO LINE LEADS TO REVERSE ROTATION.
2. OPTIONAL THERMOSTATS ARE PROVIDED WHEN SPECIFIED.
3. ACTUAL NUMBER OF INTERNAL PARALLEL CIRCUITS MAY BE A MULTIPLE OF THOSE SHOWN ABOVE.
4. LEAD COLORS ARE OPTIONAL. LEADS MUST ALWAYS BE NUMBERED AS SHOWN.

REV. DESC: REVISE TO SHOW OPTIONAL COLORS			
REV. LTR: E	BY: JLP	REVISED: 01/19/99 10:15	TDR: 0171435
900003		FILE: AAA00005140	MDL: -
		MTL: -	

BALDOR ELECTRIC Co.

3PH, DV, 9 LEADS

CD0005