

BALDOR® • ***RELIANCE***

Product Information Packet

FDL3514M

1.5HP, 1725RPM, 1PH, 60HZ, 56H, 3532LC, TEFC, F

Part Detail							
Revision:	E	Status:	PRD/A	Change #:		Proprietary:	No
Type:	AC	Prod. Type:	3532LC	Elec. Spec:	35WGN451	CD Diagram:	CD0320
Enclosure:	TEFC	Mfg Plant:		Mech. Spec:	35E2560	Layout:	35LYE2560
Frame:	56H	Mounting:	F1	Poles:	04	Created Date:	03-26-2014
Base:	RG	Rotation:	R	Insulation:	F	Eff. Date:	01-24-2017
Leads:	4#16 A&J,2#18 B PH,1#14 #4TH					Replaced By:	
Literature:		Elec. Diagram:					

Nameplate NP1280L										
CAT.NO.	FDL3514M									
SPEC.	35E2560N451G1									
HP	1.5									
VOLTS	115/208-230									
AMP	12.4/6.8-6.2									
RPM	1725									
FRAME	56H									
				HZ	60			PH	1	
SER.F.	1.00			CODE	J		DES	L	CL	F
NEMA-NOM-EFF	80			PF	96					
RATING	40C AMB-CONT									
CC								USABLE AT 208V		
DE	6205			ODE	6203					
ENCL	TEFC			SN						

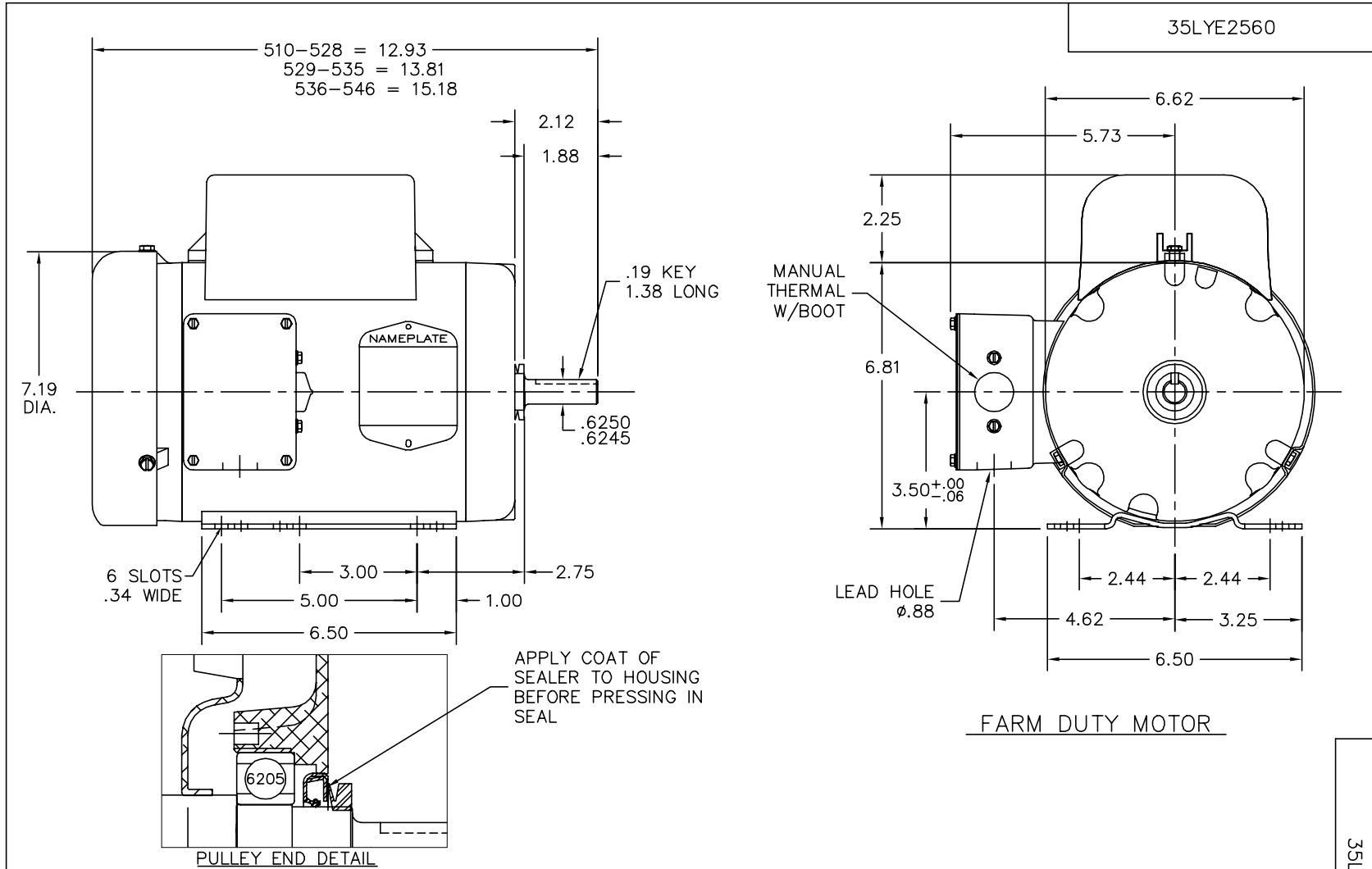
Parts List		
Part Number	Description	Quantity
SA278580	SA 35E2560N451G1	1.000 EA
RA265111	RA 35E2560N451G1	1.000 EA
OC3060C09	CYL OIL CAP 60MFD/240V	1.000 EA
TPCRD3707	THERMAL 1PH 1.00 MAN SPL LOW TEMP WELD	1.000 EA
EC1540A04	ELEC CAP, 540-648 MFD, 125V, 1.81D X 4.	1.000 EA
WD3006A01	RSS-2-103JT 2W 10K RES. METAL OXIDE 5%	1.000 EA
NS2512A01	INSULATOR, CONDUIT BOX X	1.000 EA
35CB3007A58	35 CB .88 DIA @ 6, 1.00 MTO W/BOOT @ 3 (1.000 EA
36GS1000SP	GASKET-CONDUIT BOX, .06 THICK #SV-330 LE	1.000 EA
51XB1016A07	10-16 X 7/16 HXWSSLD SERTYB	2.000 EA
RM1014A01SP	BUTYL RUB.THRM COV. (MENA)	1.000 EA
HA6015A11	EARED 1" THERMAL RETAINER (PLATED)	1.000 EA
NS2500A02	INSULATOR, MAN THER PROT	1.000 EA
51XB1214A10	12-14 X 5/8HX WS SL SR TYBX	2.000 EA
11XW1032G06	10-32 X .38, TAPTITE II, HEX WSHR SLTD U	1.000 EA
35EP3100M02	FREP TEFC 203 BRG W/O GRSSR (RAISED FH MT	1.000 EA
51XW0832A07	8-32 X .44, TAPTITE II, HEX WSHR SLTD SE	2.000 EA
35CB3801	CAPACITOR COVER, CAST	1.000 EA
34GS3002	GASKET, CAPACITOR BOX	1.000 EA
NS2501A02	INSULATOR, CAPACITOR BOX	1.000 EA
51XB1016A08	10-16X 1/2HXWSSLD SERTYB	2.000 EA
HW5100A03SP	WAVY WASHER (W1543-017)	1.000 EA
35PE3101A12	PULLEY ENDPLATE ASSEMBLY	1.000 EA
HW4600B49	SEAL 0.938 X 1.624 X 0.250 SINGLE LIP DB	1.000 EA

Parts List (continued)		
Part Number	Description	Quantity
HW4600B46	V-RING SLINGER 0.875 X 1.420 X .24 VITON	1.000 EA
XY1032A02	10-32 HEX NUT DIRECTIONAL SERRATION	4.000 EA
51XB1214A16	12-14X1.00 HXWSSLD SERTYB	1.000 EA
35FH4005A32SP	IEC FH NO GRSR W/3 HOLES - PRIMED	1.000 EA
51XW1032A06	10-32 X .38, TAPTITE II, HEX WSHR SLTD S	3.000 EA
35CB4521GX	CONDUIT BOX LID KIT	1.000 EA
51XW0832A07	8-32 X .44, TAPTITE II, HEX WSHR SLTD SE	4.000 EA
HW2501D13	KEY, 3/16 SQ X 1.375	1.000 EA
HA7000A04	KEY RETAINER 0.625 DIA SHAFTS	1.000 EA
85XU0407S04	4X1/4 U DRIVE PIN STAINLESS	2.000 EA
LB1087	LABEL,MANUAL RESET (ROLL LABEL)	1.000 EA
MJ5001A27	32220KN GRAY SEALER *MIN BUY 4 QTS=1GAL	0.001 QT
WD1000A15	3-520132-2 AMP FLAG (4M/RL NON-CANC/NON-	4.000 EA
HA7010	CAPACITOR RETENTION CLAMP	1.000 EA
MJ1000A02	GREASE, POLYREX EM EXXON (USe 4824-15A)	0.050 LB
35FN3002A05	EXFN, PLASTIC, 6.376 OD, .638 ID	1.000 EA
MG1025C02	WILKOFASST SG, 787.105, TAN	0.017 GA
HA3100A22	THRUBOLT 10-32 X 10.125	4.000 EA
TP5059	GENERIC THERMAL KIT	1.000 EA
SP5181A01	MODEL 35 LC TORQ STAT SWITCH LEAD ASSY	1.000 EA
LC0269	1PH,DV,REV,THERMAL,7 LD,L.AMP THRU HTR H	1.000 EA
LB1119N	WARNING LABEL	1.000 EA
MN416A01	TAG-INSTAL-MAINT no wire (1000/bx) 11/14	1.000 EA
NP1280L	ALUM FARM DUTY UL CSA CC THERMAL	1.000 EA

36PA1000	PKG GRP, PRINT PK1016A06	1.000 EA
----------	-----------------------------	----------

Accessories		
Part Number	Description	Multiplier
35-8762	C FACE KIT	A8
35EP1506A01SP	D-FLANGE KIT	A8

No performance data has been
assigned to this product.



CUSTOMER IS RESPONSIBLE FOR DETERMINING THAT BALDOR'S PRODUCT WILL PERFORM SUITABLY IN THE INTENDED APPLICATION.

REV. DESC: CHANGED "C" DIM TO 13.81 INSTEAD OF 13.91		
REV. LTR: B	VERSION: 02	TDR: 000000863962
FILE: \AAA\00207\985	REVISED: 11:39:21 07/23/2014	BY: ENCHALO
MTL: -		

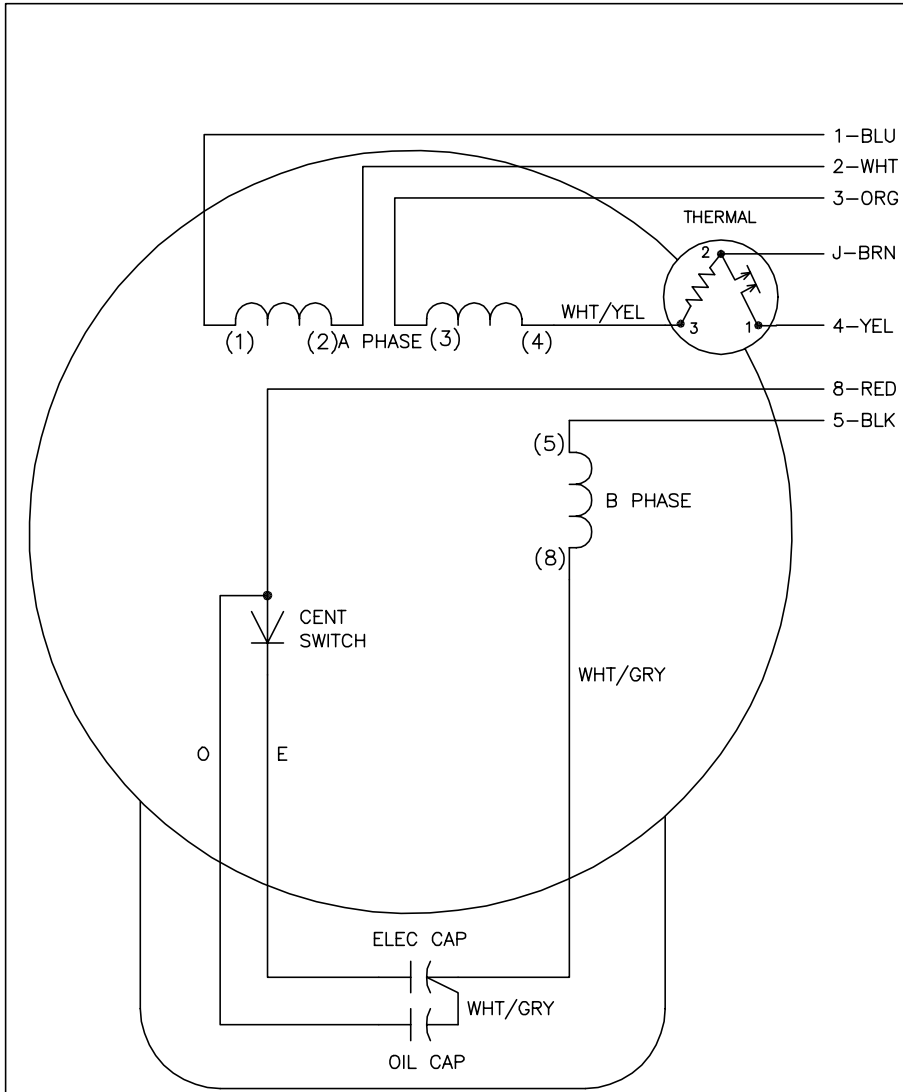
BALDOR

HOR 56-56H TEFC LC,1" MTO KOBX FARM DUTY, SEAL PU END, SLD BRGS

SH 1 of 1

35LYE2560

CD0320



	LINE A	LINE B	JOIN	JOIN
HIGH STD	1,8	4	2,3,5	J
HIGH OPP	1,5	4	2,3,8	J
LOW STD	1,3,8	4	-	2,J,5
LOW OPP	1,3,5	4	-	2,J,8

NOTES:

1. STANDARD ROTATION IS CCW FACING END OPPOSITE SHAFT EXTENSION.
2. MULTIPLE CAPACITORS ARE CONNECTED IN PARALLEL UNLESS OTHERWISE SPECIFIED.
3. LEAD COLORS ARE OPTIONAL. LEADS MUST ALWAYS BE NUMBERED AS SHOWN.

CD0320

REV. DESC: ADD INTERNAL CONNECTION TO HELP MANUFACTURING		
REV. LTR: G	VERSION: 01	TDR: 000000941594
FILE: \AAA\00007\422	REVISED: 02:21:00 08/28/2015	BY: ENALEMO
MTL: -	© □	

BALDOR

TYPE LC, DV, REV, THERMAL, B PH AMPS THRU HTR HVC, 7 LEAD

SH 1 of 1