

# **BALDOR**® • ***RELIANCE***

## **Product Information Packet**

# **IDNRPM21104C**

**10HP, 1800RPM,3PH,60HZ,2162C,TENV,FT/210**

Part Detail							
Revision:	-	Status:	PRD/A	Change #:		Proprietary:	No
Type:	AC	Prod. Type:		Elec. Spec:	L3424B	CD Diagram:	422927-001
Enclosure:	TENV	Mfg Plant:		Mech. Spec:		Layout:	617516-013
Frame:	FL2162C	Mounting:	F3	Poles:	04	Created Date:	04-10-2015
Base:		Rotation:	R	Insulation:	H	Eff. Date:	04-13-2015
Leads:						Replaced By:	
Literature:		Elec. Diagram:					

Nameplate 000613006NN						
	DUTY	HP	RPM	AMPS	VOLTS	HZ
	CONT	10	1780	13.6	460	60
	CONT	10	3555	12.4	460	120
	CONT	10	1780	27.2	230	60
	CONT	10	3555	24.8	230	120
CAT.NO.	IDNRPM21104C		SPEC. NO.	P21T0398		
SER.NO.			FR	FL 2162C	INSUL	H
PH.	3	MAX SAFE SPEED	5000	AMB.	40	MIN. AMB.
DESIGN NO.	L3424B		TYPE	ENCL. TENV		
S.F.	1.0		D.E. BRG.	50BC03JPP30A		
ENCL MOD			O.D.E. BRG.	45BC02JPP30A		

Parts List		
Part Number	Description	Quantity
WS286738	WS P21T0398	1.000 EA
RA282946	RA P21T0398	1.000 EA
000613006NN	RPM AC WITH CERTIFIED LOGOS	1.000 EA
000692000FP	NP, WARNING LIFT INSTRUCTIONS	1.000 EA
036170004EA	ROUND HEAD DRIVE SCREW	4.000 EA
418018079A	LABEL	1.000 EA
422927001	C/D LABEL	1.000 EA
036100080KA	M10-1.50X 80MM HXSOCHDCS	3.000 EA
036500010AB	METRIC NUT M10-1.5PLTD400	4.000 EA
036500010AB	METRIC NUT M10-1.5PLTD400	4.000 EA
036610010AB	MHSLW M10 PLATED	4.000 EA
400638001AB	WASHER SPRING - 210	1.000 EA
418057491A	LIFTING LUG	2.000 EA
602018077A	DRAIN	1.000 EA
602018077A	DRAIN	1.000 EA
609830005AN	TBOLT PURGE MTR	4.000 EA
807581003BAA	BRKT,FL210,DE 807581-1WCB	1.000 EA
807581004AAB	BRKT,FL210,DE 807581-2WCB	1.000 EA
032018004AK	HHCS 1/4-20X1/2 PLATED	2.000 EA
032018004DK	HHCS,DRIP COVER	4.000 EA
036000012HB	HHCS M6X12MM LONG PLATED	3.000 EA
036000020HB	HHCS M6-1.0X20MM PLATED	4.000 EA
036620008AB	M6 METRIC EXT LOCKWASHER	1.000 EA
065564000B	GASK 250-280	1.000 EA

<b>Parts List (continued)</b>		
<b>Part Number</b>	<b>Description</b>	<b>Quantity</b>
075452000B	C/BOX, PAINTED 210-250	1.000 EA
075453000A	CBOXC, PAINTED 250-280	1.000 EA
415000103A	T/LUG #14AWG-#4AWG W/HOLE FOR .250 BOLT	1.000 EA
417733004T	GASKET CONDUIT BOX	2.000 EA
418018074A	GROUND LABEL G100 METRIC 160 D.C.	1.000 EA
706305301A	GUARD, SHAFT	1.000 EA
000640000P	TAG WINDING THERMOST	1.000 EA
004824007K	SPECIAL PAINT	0.100 EA
034180018EA	KEY 5/16X5/16X2-1/4 L	1.000 EA

REL S.O.	-	VOLTS	230/460	ENCLOSURE	TENV	WYE CONN EQ CKT OHMS PER PHASE (AT BASE RATING, 25 °C)			
FRAME	FL2162	AMPS	13.6	MAX SAFE RPM	5000	R1	.305	X1	1.40
HP	10	DUTY	CONT	IM (AMPS)	7.5	R2	.199	X2	2.17
BASE SPEED	1780	S.F.	1.0	P.F. @NL/FL	.075/.770	X2		2.17	
PHASE/HERTZ	3/60	AMB °C/INSUL	40/H	WK <sup>2</sup> (lb-ft <sup>2</sup> )	1.92	XM		34.9	


**RATED FULL LOAD DATA**

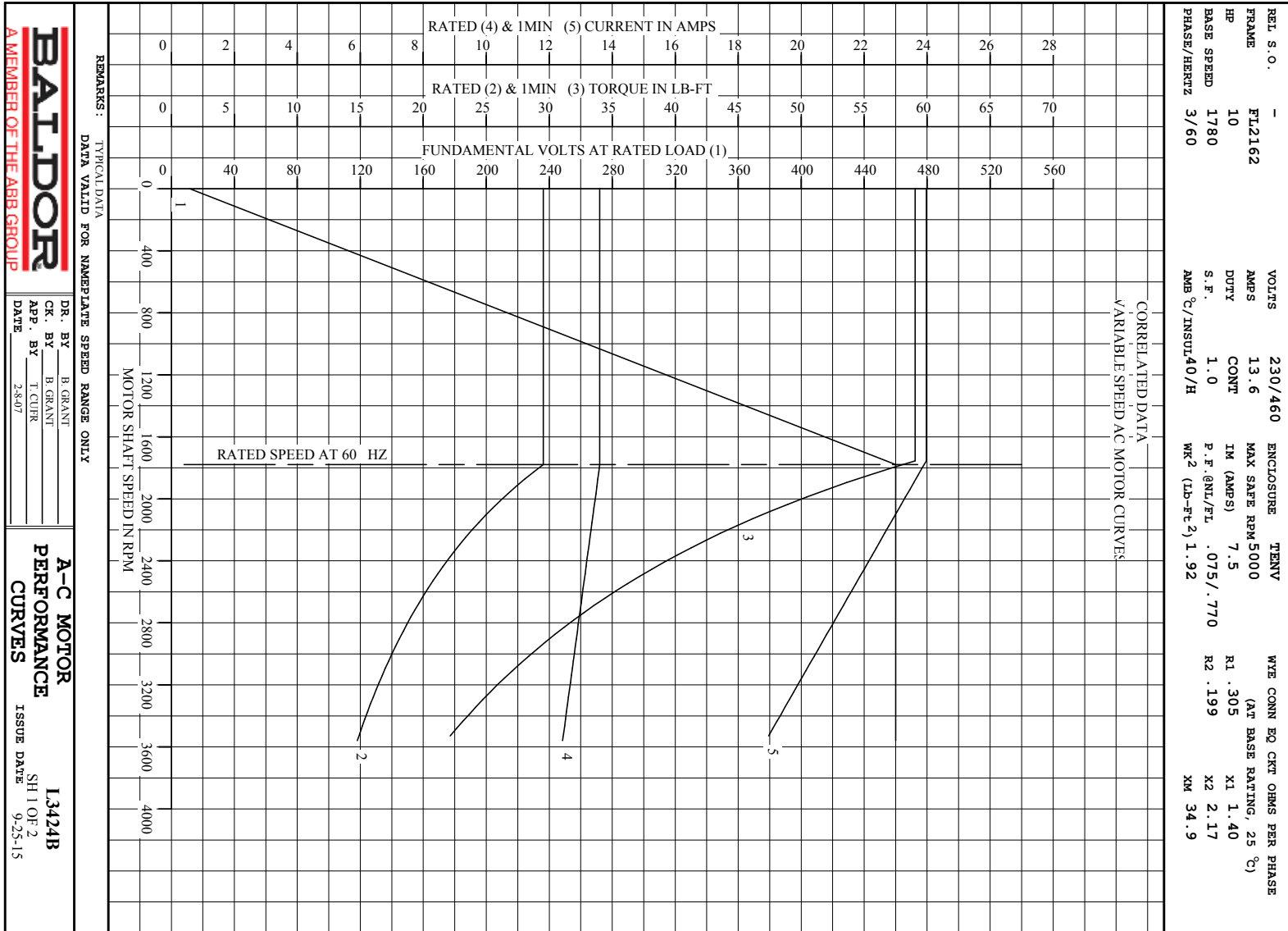
	RPM	HP	TORQUE LB-FT	FUND VOLTS	FREQ-HZ	AMPS
BASE SPEED	1779	10.0	30	460	60	13.6
MAX SPEED	3560	10.0	15	460	120.2	12.4
MIN SPEED	0	0	30	11.8	.6996	13.6

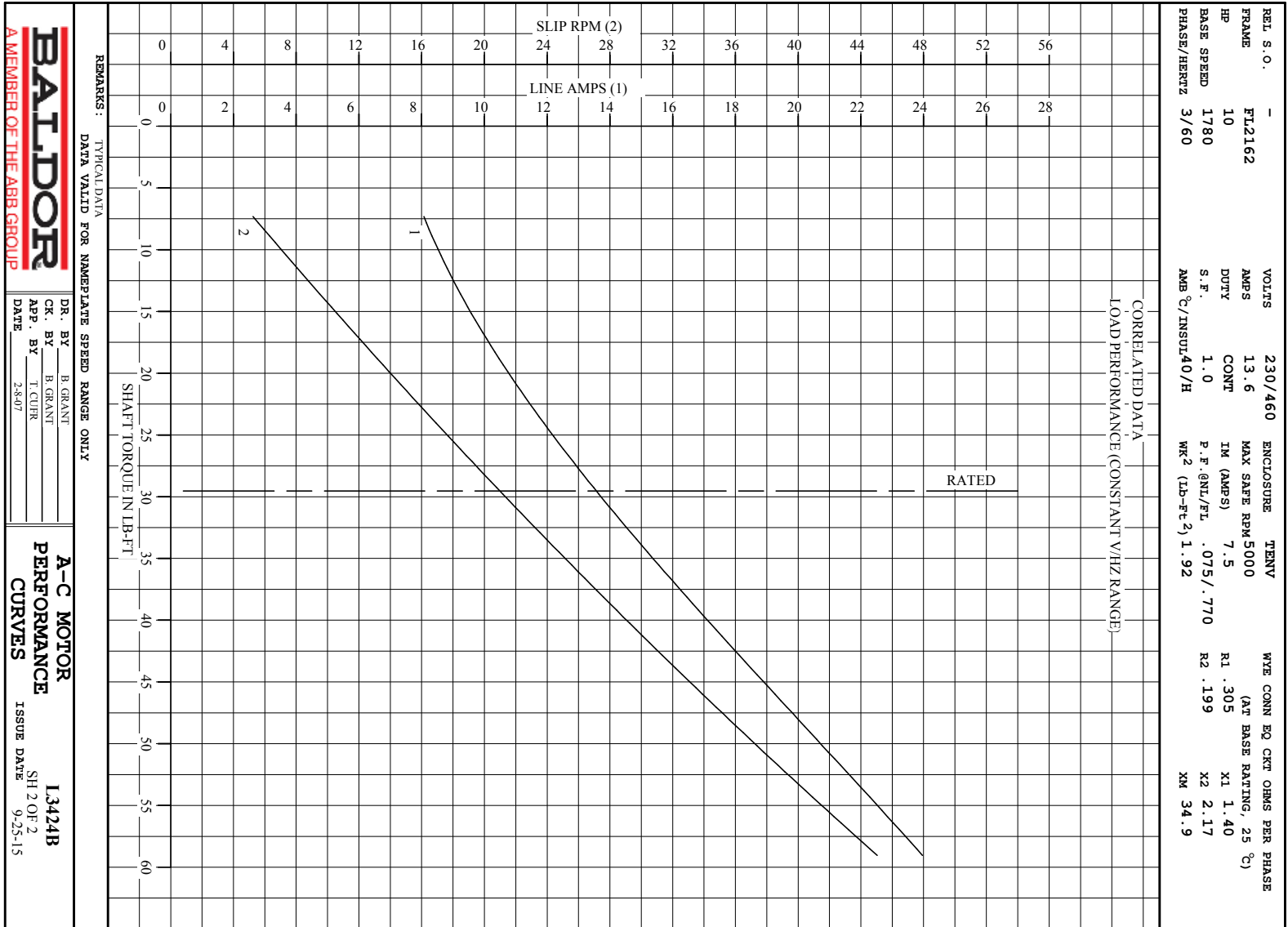
**LOAD PERFORMANCE AT BASE SPEED**

	RPM	HP	TORQUE LB-FT	FUND VOLTS	FREQ-HZ	AMPS
NO LOAD	1800	0	0	460	60	7.34
1/4	1795	2.50	7	460	60	8.09
1/2	1790	5.01	15	460	60	9.45
3/4	1785	7.50	22	460	60	11.3
FULL LOAD	1779	10.0	30	460	60	13.6
O/L	1755	19.7	59	460	60	24.0

REMARKS: TYPICAL DATA  
CORRELATED DATA

 <p><b>A MEMBER OF THE ABB GROUP</b></p>	DR. BY	B. GRANT	<p><b>A-C MOTOR</b> <b>PERFORMANCE</b> <b>DATA</b></p> <p>ISSUE DATE 9-25-15</p>
	CR. BY	B. GRANT	
	APP. BY	T. CUER	
	DATE	2-8-07	





**BALDOR**  
A MEMBER OF THE ABB GROUP

DR. BY B. GRANT  
CR. BY H. GRANT  
APP. BY T. CURR  
DATE 2-8-07

**A-C MOTOR**  
**PERFORMANCE**  
**CURVES**  
ISSUE DATE 9-25-15  
13424B  
SH 2 OF 2

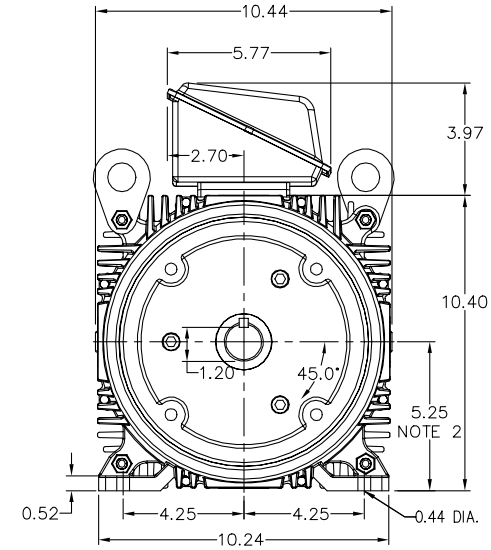
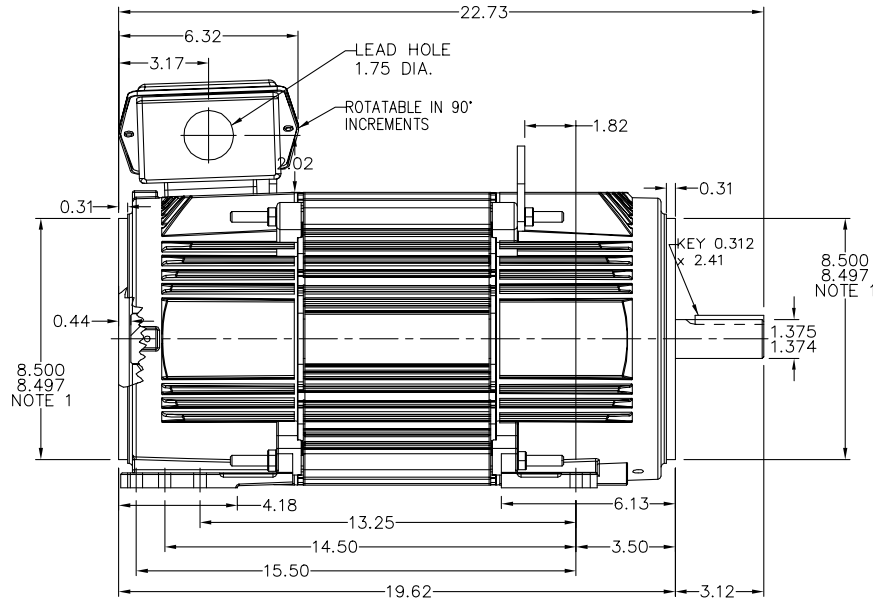
617516-013

RPM-AC FINNED FRAME VARIABLE SPEED ALTERNATING  
CURRENT MOTOR  
FL2162C

ENCLOSURE: TOTALLY ENCLOSED  
MOUNTING: FOOT / NEMA 210TC C-FACE  
DRIVE METHOD: COUPLED OR BELTED

COOLING: NON-VENTILATED

ACCESSORIES: PROVISIONS FOR  
TACHOMETER MOUNTING  
ONLY WHEN SPECIFIED



NOTE 1: C-FACE & TACHOMETER MOUNTING  
1/2-13 TAP, 1.00 DEEP, ON A 7.25 DIA. BOLT CIRCLE  
FACE RUNOUT AND ECCENTRICITY 0.004 MAX. T.I.R.

NOTE 2: SHAFT HEIGHT WILL NOT BE EXCEEDED  
SHIMS UP TO 0.03 INCHES IN THICKNESS ARE USUALLY  
REQUIRED FOR COUPLED OR GREARED MACHINES

TERMINAL BOX MAY BE LOCATED F1 OR F2 IF SPECIFIED  
61 AMP STEEL TERMINAL BOX SHOWN  
REFER TO 616779-50 FOR SPECIFIED TERMINAL BOX DIMENSIONS  
REFER TO 616779-55 FOR SPECIFIED TACHOMETER DIMENSIONS

MOTOR WEIGHT: 280 LBS. (MAY VARY 15%)  
DIMENSIONS ARE IN INCHES SCALE: 1.00

617516-013

CUSTOMER IS RESPONSIBLE FOR DETERMINING THAT BALDOR'S PRODUCT WILL PERFORM SUITABLY IN THE INTENDED APPLICATION.

REV. DESC: ADDED C-FACE DEPTH DIMENSION	VERSION: 01	TDR: 000000493632
REV. LTR: A	REvised: 13:15:33 03/13/2009	BY: CONDLM
FILE: \RGG\00003\180		
MTL: -		

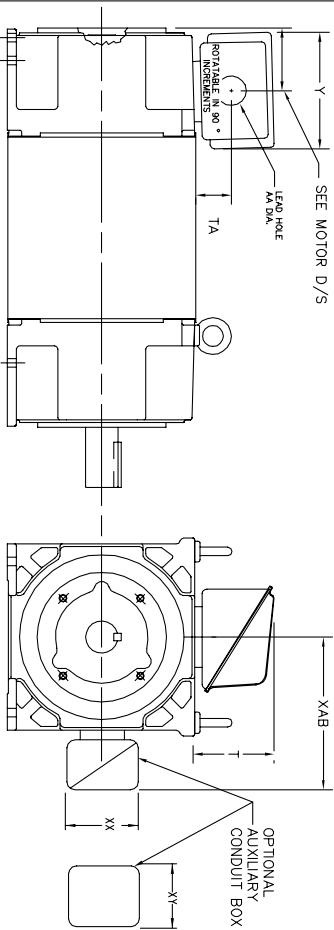
**BALDOR • DODGE • RELIANCE**  
DIM SHT RPMAC TENV FL2162C FT MT PROV FOR TACH  
SH 1 of 1

616779-050

# INDUSTRIAL ALTERNATING CURRENT MOTORS

## RPM AC

STEEL, CAST IRON, MILL AND TERMINAL BOARD CONDUIT BOX DIMENSIONS  
 NEMA FRAMES FL210 thru RL280 and IEC FRAMES RDL132 thru RDL180  
 NEMA FRAMES FL180 thru FL280 and IEC FRAMES FDL112 thru FDL180



TERMINAL BOX	Y	TA	T	AA	MAX AMP'S	REMARKS
706310-63B	14.39	7.43	12.15	--	400	TERMINAL STRIP
706310-226R	9.00	3.06	5.40	Pg36 & Pq16	160	TERMINAL STRIP
706310-225R	7.25	2.30	4.40	Pg29 & Pq16	100	TERMINAL STRIP
706310-56B	9.00	3.06	5.40	Pg36 & Pq16	160	TERMINAL STRIP
706310-56A	7.75	2.30	4.40	Pg29 & Pq16	100	TERMINAL STRIP
706320-14D	15.00	7.56	12.81	5	510	CAST IRON
706320-13A	10.50	4.88	9.00	4.0 TAP	210	CAST IRON
706320-12B	9.25	4.81	8.56	3	140	CAST IRON
75460-62B	7.25	2.50	5.25	1.5 TAP	110	CAST IRON
706320-4C	5.75	2.38	4.38	1.0 TAP	60	CAST IRON FL180 ONLY
706310-3E	16.00	4.40	7.81	3	590	MILL
706310-3X	8.00	2.38	5.00	--	160	MILL
702658-1G	14.62	7.56	12.70	5	500	STEEL
706320-16A	9.00	4.12	8.44	4.59	305	STEEL
706320-9A	7.25	3.50	7.06	2.50	160	STEEL
75454-1AJ	7.69	2.38	5.25	1.94	121	STEEL
75452-B	6.34	2.00	4.12	1.75	61	STEEL
75452-G	6.34	2.00	4.12	--	61	SPECIAL
706320-5A	6.12	2.38	4.38	1.75/2.00	75	STEEL FL180 ONLY
706320-3A	5.00	1.62	3.00	1.12	40	STEEL FL180 ONLY
706320-7A	7.62	2.00	7.00	2.5/3.0	208	STEEL FL180 ONLY

FRAME SIZE	XAB	OPTIMAL AUXILIARY CONDUIT BOX DIMENSIONS (MAXIMUM)				PART NUMBER			
		XX	XY	XX	XY				
FL210/FL132/RL210/RL132	7.38	4.25	4.25	6.02/6.07-26-A	FL210/FL132/RL210/RL132	10.88	8.00	8.00	706310-3-B
FL220/FL180/RL220/RL180	8.44	4.23	4.23	6.02/6.07-26-A	FL220/FL180/RL220/RL180	11.88	8.00	8.00	706310-3-B
FL280/FL180/RL280/RL180	9.12	4.23	4.23	6.02/6.07-26-A	FL280/FL180/RL280/RL180	12.62	8.00	8.00	706310-3-B

- (1) 'AA' CONDUIT.
- (2) 'AA' PIPE TAP.
- (3) CUSTOMER TO PROVIDE HOLE FOR CONDUIT.
- (4) Z DN -5A or 1 TAP DN -4C

TERMINAL BOX CAN BE ROTATED FOR LEAD OUTLET AT TOP, SIDES OR BOTTOM.  
 TERMINAL BOX LOCATED ON OPPOSITE SIDE WHEN F-2, W-1, W-4, W-5, W-7,  
 OR C-1 MOUNTING IS SPECIFIED. BOX LOCATED ON TOP WHEN SPECIFIED.

050-60761919

CUSTOMER IS RESPONSIBLE FOR DETERMINING THAT BALDOR'S PRODUCT WILL PERFORM SUITABLY IN THE INTENDED APPLICATION.

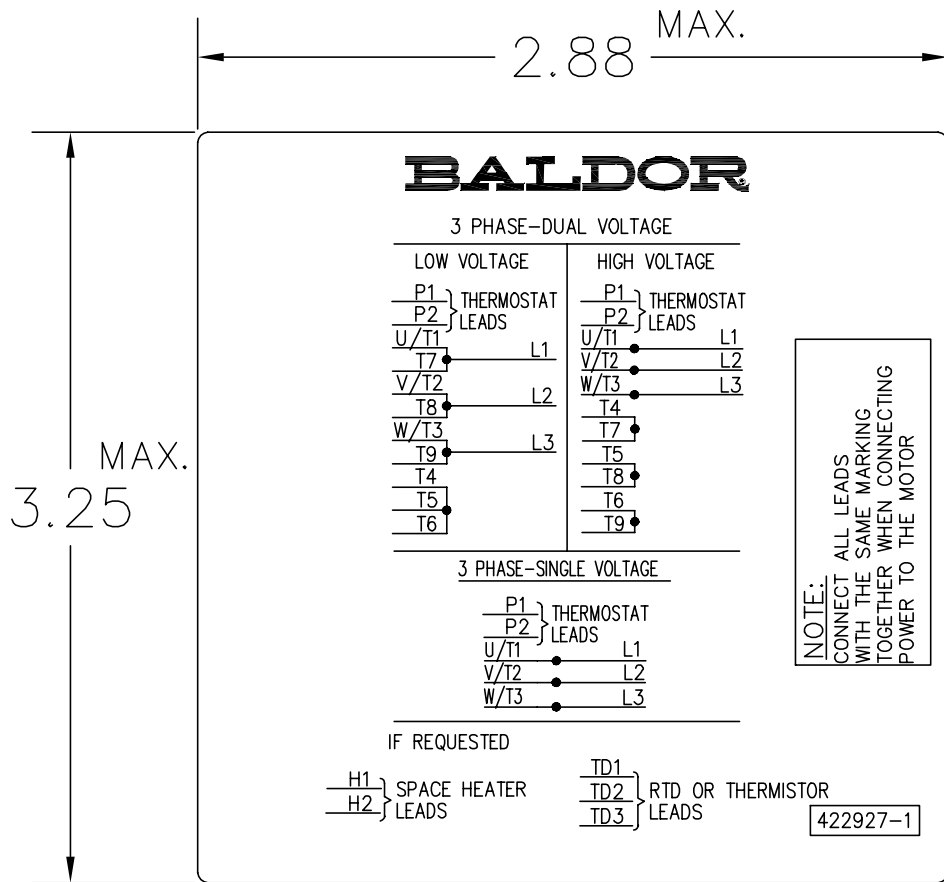
REV. DESC: BOX # 706320-9A, CHANGE AA DIM FROM 2 TO 2.50	TDR: 000000785386
REV. LTR: C	VERSION: 03
FILE: \RGG\00003\692	REVISED: 08:40:55 02/11/2013
MTL: -	BY: RGGWT

**BALDOR**

DIM SHT NEMA RL210-RL280 FL180-FL280 IEC RDL132-RDL180

SH 1 of 1

422927-001



NOTE:  
DATA TO BE SIZED  
SO THAT IT FITS INTO  
MATERIAL DECAL  
DIMENSIONS. MAKE  
LETTERS & NUMBERS  
AS LARGE AS POSSIBLE.

MATERIAL: CERAMATIC DGF-P4  
PERMA GRIP ADHESIVE

ALL LETTERS, NUMBERS  
AND LINES TO BE BLACK  
ON WHITE BACKGROUND.

422927-001

REV. DESC: CHANGE BACKGROUND COLOR FROM GOLD TO WHITE		
REV. LTR: B	VERSION: 02	TDR: 000000788708
FILE: \RGG\00000\203	REVISED: 08:09:29 03/04/2013	
MTL: -	BY: RGGWT	

**BALDOR**

EXTERNAL CONNECTION LABEL

SH 1 of 1

Marketing maintained PDF of MN406:

<http://www.baldor.com/support/Literature/Load.ashx/MN406?ManNumber=MN406>