

BALDOR® • RELIANCE

Product Information Packet

JM3116

1HP,1725RPM,3PH,60HZ,56J,3424M,OPEN,F1

Part Detail							
Revision:	M	Status:	PRD/A	Change #:		Proprietary:	No
Type:	AC	Prod. Type:	3424M	Elec. Spec:	34WGW990	CD Diagram:	CD0005
Enclosure:	OPEN	Mfg Plant:		Mech. Spec:	34F038	Layout:	34LYF038
Frame:	56J	Mounting:	F1	Poles:	04	Created Date:	
Base:	N	Rotation:	R	Insulation:	B	Eff. Date:	03-15-2016
Leads:	9#18					Replaced By:	
Literature:		Elec. Diagram:					

Nameplate NP1256L										
CAT.NO.	JM3116									
SPEC.	34F038W990G1									
HP	1									
VOLTS	208-230/460									
AMP	3.7-3.4/1.7									
RPM	1725									
FRAME	56J				HZ	60			PH	3
SER.F.	1.15		CODE	K	DES	B		CLASS	F	
NEMA-NOM-EFF	78.5		PF	70						
RATING	40C AMB-CONT									
CC									USABLE AT 208V	3.7
DE	6203				ODE	6203				
ENCL	OPEN			SN						

Parts List		
Part Number	Description	Quantity
SA018250	SA 34F038W990G1	1.000 EA
RA014405	RA 34F038W990G1	1.000 EA
NS2512A01	INSULATOR, CONDUIT BOX X	1.000 EA
34CB3002A	CB CAST W/.88 DIA HOLE	1.000 EA
51XB1016A07	10-16 X 7/16 HXWSSLD SERTYB	2.000 EA
11XW1032G06	10-32 X .38, TAPTITE II, HEX WSHR SLTD U	1.000 EA
34EP3212A03	FR EP 34L FOR DRIP CVR	1.000 EA
HW5100A03SP	WAVY WASHER (W1543-017)	1.000 EA
34EP3401A01SP	PU ENDPLATE, MACH	1.000 EA
34AD2000	BAFFLE PLATE, STAMPED	1.000 EA
51XT0632A06	6-32X3/8 TY23 HXWS SLDSR	4.000 EA
51XN1032A20	10-32 X 1 1/4 HX WS SL SR	2.000 EA
34FH4000A15	DRIP COVER, STAMPED,PRIMER	1.000 EA
51XW1032A06	10-32 X .38, TAPTITE II, HEX WSHR SLTD S	3.000 EA
WD4101A09	STIMPSON D3560, .875 DIA. HOLE PLUG	1.000 EA
34CB4517	CB LID 4 MTG HOLES .22 DIA STAMPED, FOR	1.000 EA
51XW0832A07	8-32 X .44, TAPTITE II, HEX WSHR SLTD SE	4.000 EA
RM1010A01	35-968-1 VINYL CLS	1.000 EA
MG1000G27	MED CHARCOAL METALLIC GREY 400-0096	0.014 GA
10XF0440S02	04-40 X 1/8 TYPE F HEX HD STAINLESS STIC	2.000 EA
HA3100A16	THRUBOLT 10-32 X 8.750	4.000 EA
MN416A01	TAG-INSTAL-MAINT no wire (1200/bx) 11/14	1.000 EA
LC0005E01	CONN.DIA./WARNING LABEL (LC0005/LB1119N)	1.000 EA
NP1256L	ALUM UL CSA CC	1.000 EA

Parts List (continued)		
Part Number	Description	Quantity
35PA1000	PKG GRP, PRINT PK1008A06	1.000 EA
PK3083T	STYROFOAM PACKING CRADLE W/TAPE	1.000 EA

AC Induction Motor Performance Data

Record # 20833 - Typical performance - not guaranteed values

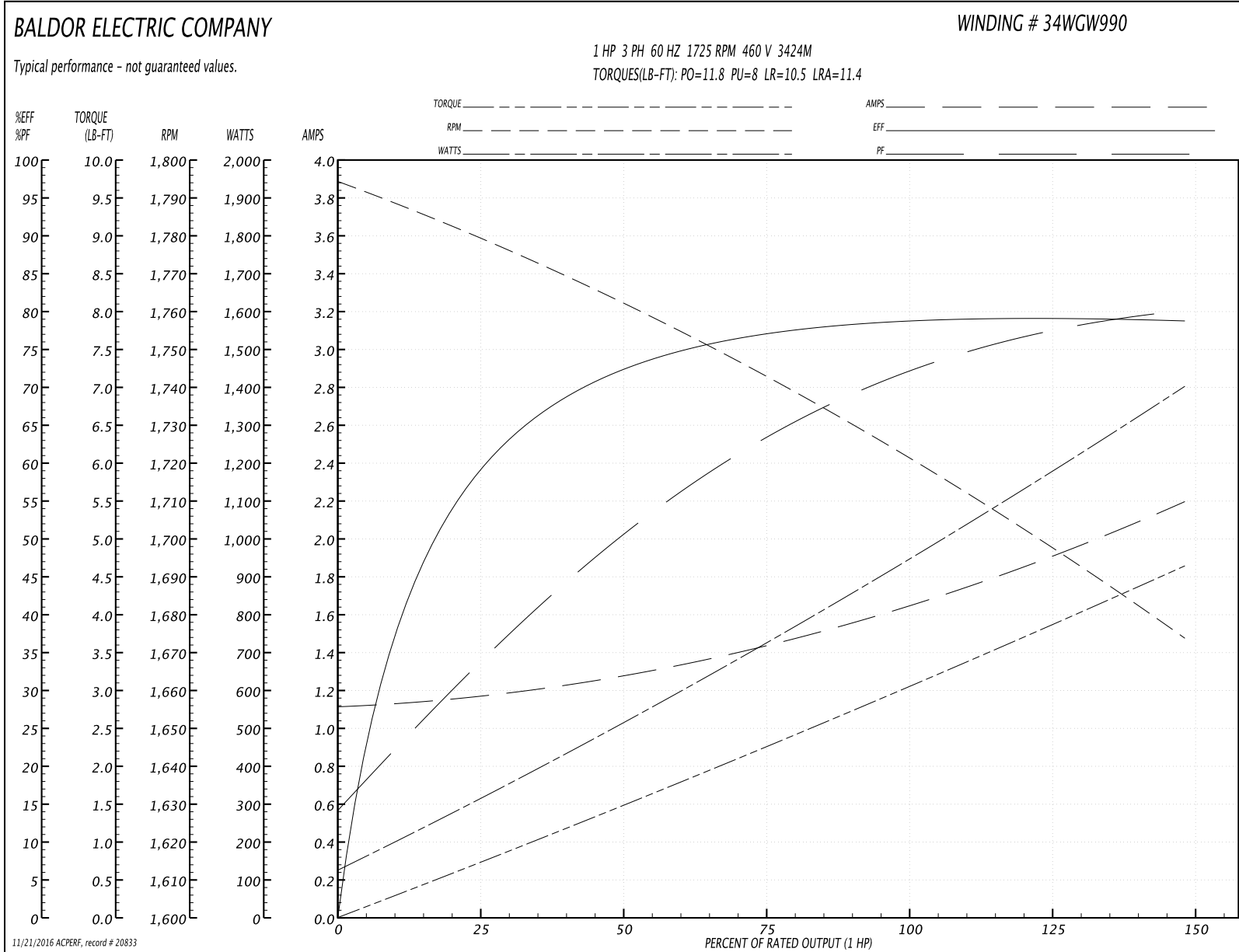
Winding: 34WGW990-R002	Type: 3424M	Enclosure: OPEN
-------------------------------	--------------------	------------------------

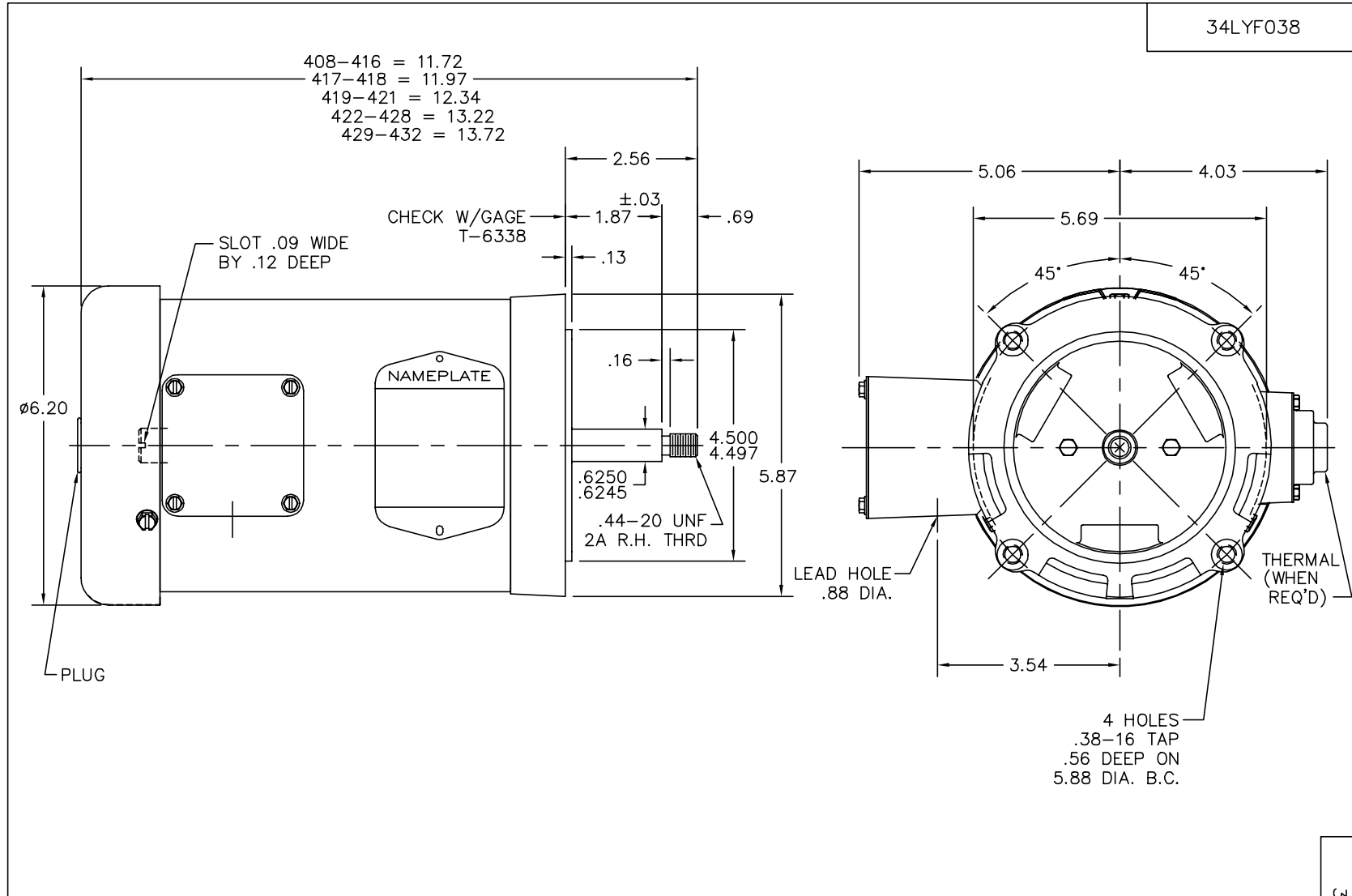
Nameplate Data				460 V, 60 Hz: High Voltage Connection	
Rated Output (HP)	1			Full Load Torque	3.1 LB-FT
Volts	208-230/460			Start Configuration	direct on line
Full Load Amps	3.7-3.4/1.7			Breakdown Torque	11.8 LB-FT
R.P.M.	1725			Pull-up Torque	8 LB-FT
Hz	60	Phase	3	Locked-rotor Torque	10.5 LB-FT
NEMA Design Code	B	KVA Code	K	Starting Current	11.4 A
Service Factor (S.F.)	1.15			No-load Current	1.1 A
NEMA Nom. Eff.	78.5	Power Factor	70	Line-line Res. @ 25°C	13.4 Ω
Rating - Duty	40C AMB-CONT			Temp. Rise @ Rated Load	55°C
S.F. Amps				Temp. Rise @ S.F. Load	71°C

Load Characteristics 460 V, 60 Hz, 1 HP

% of Rated Load	25	50	75	100	125	150	S.F.
Power Factor	34	51	63	72	77	81	0
Efficiency	59.6	72.6	77.3	79.1	79.3	78.6	0
Speed	1778	1760	1741	1721	1698	1673	0
Line amperes	1.2	1.3	1.4	1.7	1.9	2.2	1.8

Performance Graph at 460V, 60Hz, 1.0HP Typical performance - Not guaranteed values





CUSTOMER IS RESPONSIBLE FOR DETERMINING THAT MOTOR PERFORMANCE IS SUITABLE IN THE APPLICATION.

REV. DESC: NEW KBOX & LID			
REV. LTR: H	BY: RT	REVISED: 11:57:23 10/14/2003	TDR: 314971
34LYF038		FILE: AAA00026304	REF: 34LYF038
		MTL: -	

BALDOR ELECTRIC Co.

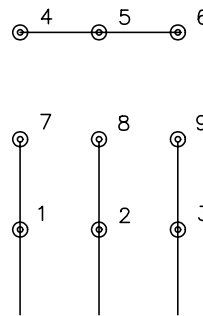
STD VERT 56J OPEN 34M W/DRIP CVR

34LYF038

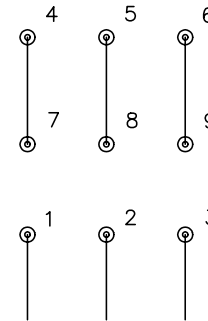
CD0005



LOW VOLTAGE
(2Y)



HIGH VOLTAGE
(1Y)



NOTES:

1. INTERCHANGE ANY TWO LINE LEADS TO REVERSE ROTATION.
2. OPTIONAL THERMOSTATS ARE PROVIDED WHEN SPECIFIED.
3. ACTUAL NUMBER OF INTERNAL PARALLEL CIRCUITS MAY BE A MULTIPLE OF THOSE SHOWN ABOVE.
4. LEAD COLORS ARE OPTIONAL. LEADS MUST ALWAYS BE NUMBERED AS SHOWN.

REV. DESC: REVISE TO SHOW OPTIONAL COLORS			
REV. LTR: E	BY: JLP	REVISED: 01/19/99 10:15	TDR: 0171435
9000D		FILE: AAA00005140	MDL: -
		MTL: -	

BALDOR ELECTRIC Co.

3PH, DV, 9 LEADS

CD0005