

BALDOR® • **RELIANCE**

Product Information Packet

L3351

.08HP, 1725RPM, 1PH, 60HZ, 42, 3310L, TEFC, F1

| Part Detail | | | | | | | |
|-------------|------|----------------|-------|-------------|----------|---------------|------------|
| Revision: | AK | Status: | PRD/A | Change #: | | Proprietary: | No |
| Type: | AC | Prod. Type: | 3310L | Elec. Spec: | 33WG0933 | CD Diagram: | CD0001A10 |
| Enclosure: | TEFC | Mfg Plant: | | Mech. Spec: | | Layout: | 33-850-933 |
| Frame: | 42 | Mounting: | F1 | Poles: | 04 | Created Date: | 06-25-2007 |
| Base: | | Rotation: | R | Insulation: | B | Eff. Date: | 09-07-2016 |
| Leads: | 6#18 | | | | | Replaced By: | |
| Literature: | | Elec. Diagram: | | | | | |

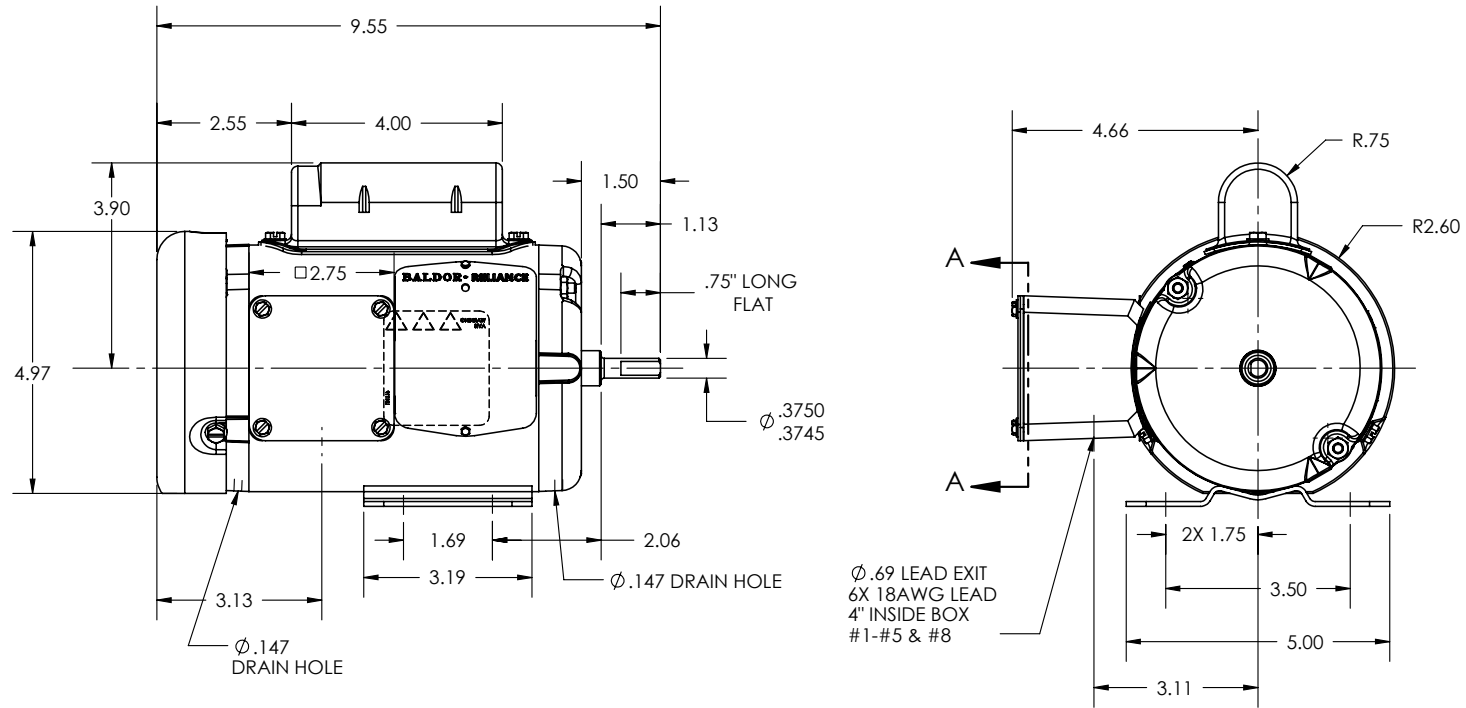
| Nameplate NP1256L | | | | | | | | | | |
|-------------------|--------------|--|--|--|--|------|----|----------------|-------|---|
| CAT.NO. | L3351 | | | | | | | | | |
| SPEC. | 33-850-933 | | | | | | | | | |
| HP | .08 | | | | | | | | | |
| VOLTS | 115/230 | | | | | | | | | |
| AMP | 2/1 | | | | | | | | | |
| RPM | 1725 | | | | | | | | | |
| FRAME | 42 | | | | | HZ | 60 | | PH | 1 |
| SER.F. | 1.40 | | | | | CODE | M | | DES | - |
| NEMA-NOM-EFF | 44 | | | | | PF | 52 | | CLASS | B |
| RATING | 40C AMB-CONT | | | | | | | | | |
| CC | | | | | | | | USABLE AT 208V | 1.15 | |
| DE | 6203 | | | | | ODE | | | | |
| ENCL | TEFC | | | | | SN | | | | |
| | SFA 2.2/1.1 | | | | | | | | | |

| Parts List | | |
|---------------|--|----------|
| Part Number | Description | Quantity |
| SA007362 | SA 33-850-933 | 1.000 EA |
| RA003809 | RA 33-850-933 | 1.000 EA |
| EC1064A01 | ELEC CAP, 64-77 MFD, 125V, 1.48D X 2. | 1.000 EA |
| LC0001 | CONN LABEL TYPE L, 6 LEAD, DUAL VOLTS, R | 1.000 EA |
| LD2004A01 | ASM,1LD 18 BLK E 8.0" 2X INS FLAG | 1.000 EA |
| LD2004A13 | ASM,1LD 18 RED 8 11.0" INS FLAG TERM | 1.000 EA |
| HA3100A79 | THRUBOLT 10-32 X 6.625 | 2.000 EA |
| 51XB1016A04 | 10-16 X 1/4 HX WA SL SR TYB (F/S) | 2.000 EA |
| 33EP3100A01SP | EP,33AC ODE GP 6203 TEFC W/DRAIN | 1.000 EA |
| HW5100A03SP | WAVY WASHER (W1543-017) | 1.000 EA |
| SP5183 | TORQ STA. SWITCH 200 SERIES MODEL 33 | 1.000 EA |
| 51XW0832A07 | 8-32 X .44, TAPTITE II, HEX WSHR SLTD SE | 2.000 EA |
| 34CB4800SP | CAPACITOR COVER, STAMPED PRIMED | 1.000 EA |
| 34GS3000SP | GASKET, CAPACITOR BOX | 1.000 EA |
| 33EP3100A02 | PU ENDPLATE, MACH | 1.000 EA |
| 34CB3002C | CB CAST W/.69 DIA HOLE | 1.000 EA |
| 34GS1029A01 | GASKET, CONDUIT BOX | 1.000 EA |
| 51XB1016A07 | 10-16 X 7/16 HXWSSLD SERTYB | 2.000 EA |
| 11XW1032G06 | 10-32 X .38, TAPTITE II, HEX WSHR SLTD U | 1.000 EA |
| 34CB4517 | CB LID 4 MTG HOLES .22 DIA STAMPED, FOR | 1.000 EA |
| 34GS1031A01 | GASKET, FLAT CONDUIT BOX LID (LEXIDE) | 1.000 EA |
| XY1032A02 | 10-32 HEX NUT DIRECTIONAL SERRATION | 2.000 EA |
| 33FN3000SP | EXTERNAL FAN, PLASTIC | 1.000 EA |
| HW1003A08 | WASHER, #8 EX TH LK, ZN (F/S) | 1.000 EA |

| Parts List (continued) | | |
|-------------------------------|--|-----------------|
| Part Number | Description | Quantity |
| 33FH4001A01 | FAN COVER, STAMPED | 1.000 EA |
| 51XW1032A06 | 10-32 X .38, TAPTITE II, HEX WSHR SLTD S | 3.000 EA |
| MG1000G27 | MED CHARCOAL METALLIC GREY 400-0096 | 0.013 GA |
| 51XW0832A07 | 8-32 X .44, TAPTITE II, HEX WSHR SLTD SE | 4.000 EA |
| NP1256L | ALUM UL CSA CC | 1.000 EA |
| LB1119N | WARNING LABEL | 1.000 EA |
| 85XU0407S04 | 4X1/4 U DRIVE PIN STAINLESS | 2.000 EA |
| 34PA1002 | PKG GRP, PRINT PK1001A01 | 1.000 EA |

No performance data has been
assigned to this product.

33-850-933



SECTION A-A

CUSTOMER IS RESPONSIBLE FOR DETERMINING THAT BALDOR'S PRODUCT WILL PERFORM SUITABLY IN THE INTENDED APPLICATION

REV. DESC: NO CHANGES, OPENED FOR CUSTOMER DXF EXPORT

| | | | |
|--------|-------------|------------------------------|-------------------|
| REV: B | VERSION: 02 | REVISED: 09:19:57 09/03/2014 | TDR: 000000869165 |
|--------|-------------|------------------------------|-------------------|

33-850-933

MODEL NO. 33-850
BY: CKBRIS0

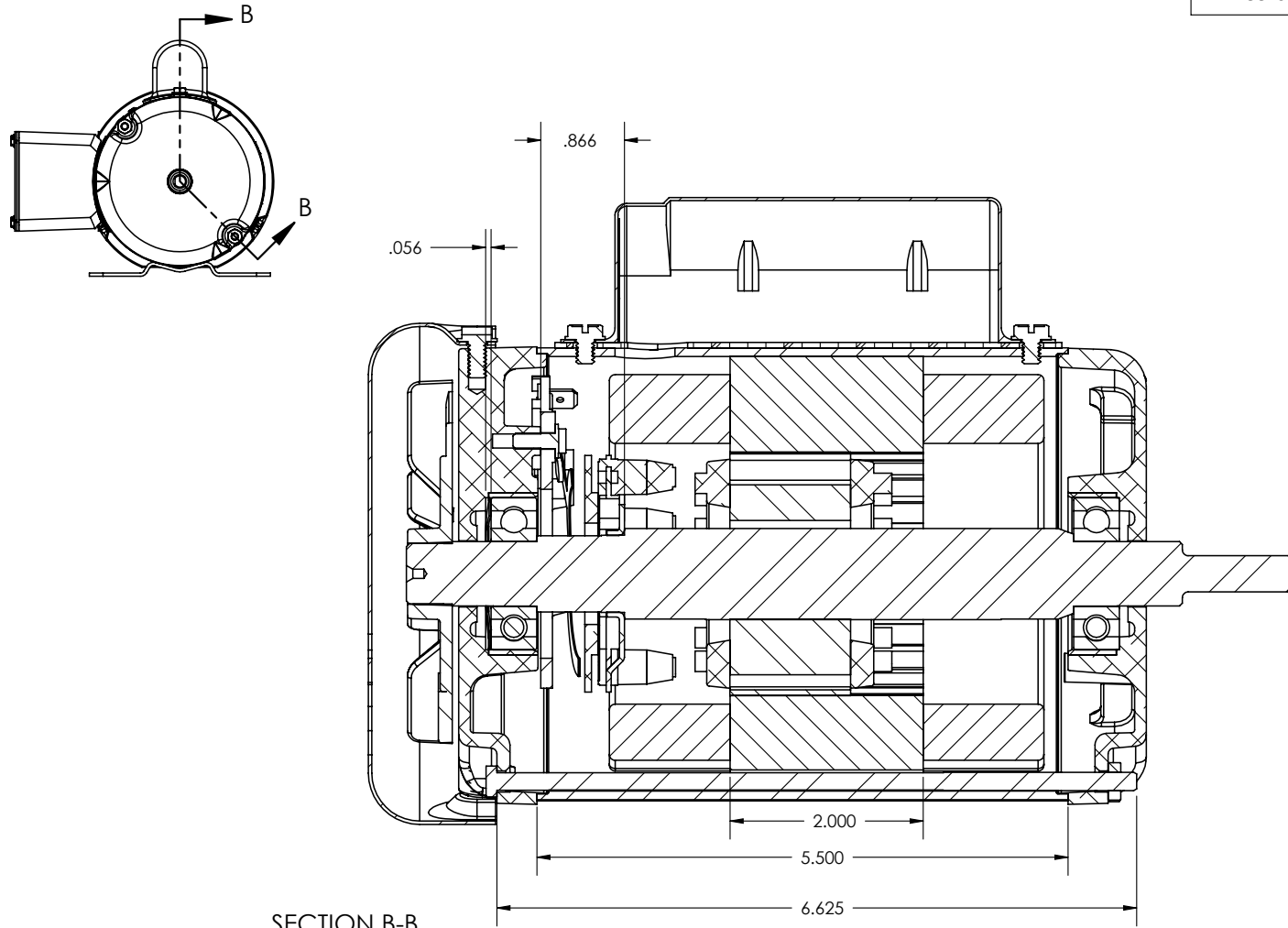
REF:

BALDOR

LY_33AC 10L 4P TEFC VER 42

33-850-933

33-850-933



33-850-933

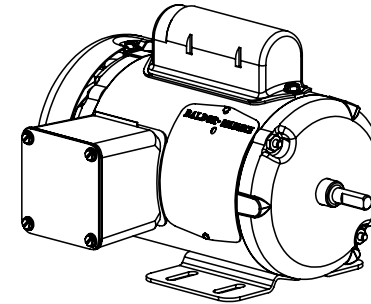
| | | | |
|---|-------------|------------------------------|-------------------|
| REV. DESC: NO CHANGES, OPENED FOR CUSTOMER DXF EXPORT | | | |
| REV: B | VERSION: 02 | REVISED: 09:19:57 09/03/2014 | TDR: 000000869165 |
| MODEL NO. 33-850 | | REF: | |
| BY: CKBRIS0 | | | |

BALDOR ELECTRIC Co.

LY,33AC 10L 4P TEFC VER 42

| ITEM NO. | PART NUMBER | 33-850-933/QTY. |
|----------|----------------|-----------------|
| 1 | 33EP3100A02 | 1 |
| 2 | 33SH7158A01 | 1 |
| 3 | BG6203 | 2 |
| 4 | 33RA4110A00A01 | 1 |
| 5 | RS9005 | 1 |
| 6 | 33SA9210A32 | 1 |
| 7 | 33EP3100A01 | 1 |
| 8 | HW5100A03 | 1 |
| 9 | SP5073 | 1 |
| 10 | 51XB1016A07 | 2 |
| 11 | 51XB1016A04 | 2 |
| 12 | NS2512A01 | 1 |
| 13 | HA3100A | 2 |
| 14 | 34CB3002A64 | 1 |
| 15 | 11XW1032G06 | 1 |
| 16 | 34GS1031A01 | 1 |
| 17 | 34CB4517 | 1 |
| 18 | 34GS3000 | 1 |
| 19 | 34CB4800 | 1 |
| 20 | NS2500A01 | 1 |
| 21 | 33FN3000 | 1 |
| 22 | 12XN0832A16 | 1 |
| 23 | XY1032A02 | 3 |
| 24 | HW1003A08 | 1 |
| 25 | 33FH4001A01 | 1 |
| 26 | LB1119 | 1 |
| 27 | 51XT0832A07 | 6 |
| 28 | 99XM0440S01 | 2 |
| 29 | NP1256 | 1 |
| 30 | 33 Frame A01 | 1 |
| 31 | 51XB1016A06 | 3 |

33-850-933



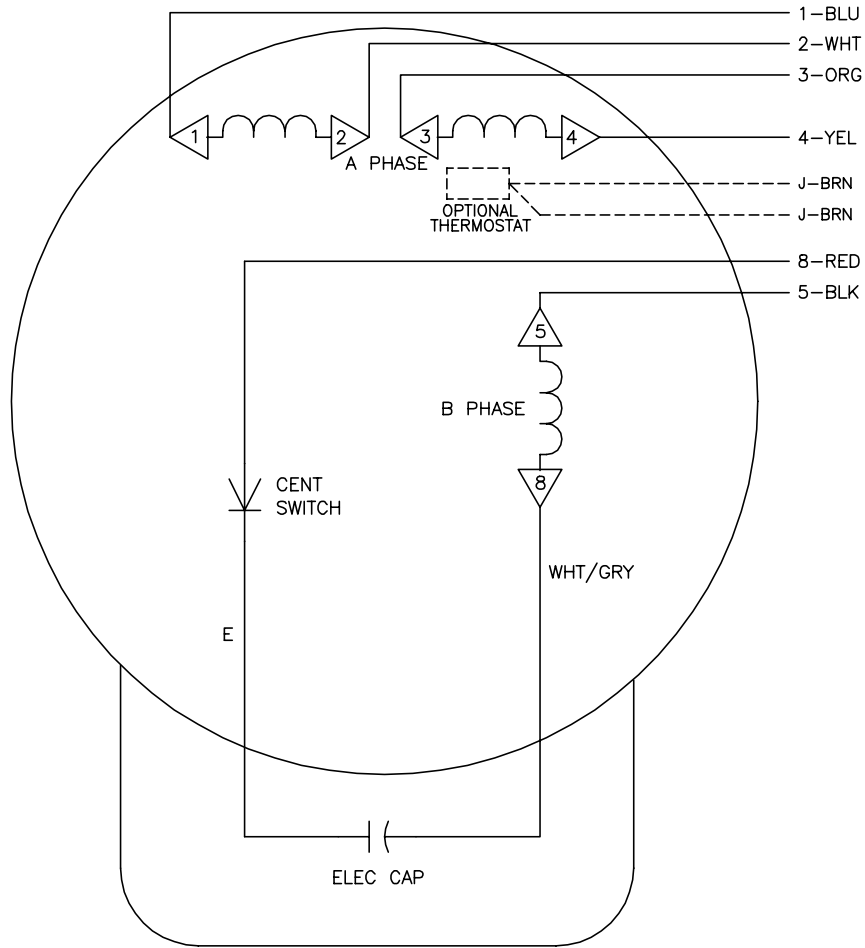
33-850-933

| | | | |
|---|-------------|------------------------------|-------------------|
| REV. DESC: NO CHANGES, OPENED FOR CUSTOMER DXF EXPORT | | | |
| REV: B | VERSION: 02 | REVISED: 09:19:57 09/03/2014 | TDR: 000000869165 |
| MODEL NO. 33-850 | | REF: | |
| BY: CKBRIS0 | | | |

BALDOR ELECTRIC Co.

LY,33AC 10L 4P TEFC VER 42

CD0001A10



| | LINE A | LINE B | JOIN |
|----------|--------|--------|-------|
| HIGH STD | 1 | 4,5 | 2,3,8 |
| HIGH OPP | 1 | 4,8 | 2,3,5 |
| LOW STD | 1,3,8 | 2,4,5 | - |
| LOW OPP | 1,3,5 | 2,4,8 | - |

NOTES:

1. STANDARD ROTATION IS CCW FACING LEAD END
2. OPTIONAL THERMOSTAT IS PROVIDED WHEN SPECIFIED.
3. MULTIPLE CAPACITORS ARE CONNECTED IN PARALLEL UNLESS OTHERWISE SPECIFIED.
4. LEAD COLORS ARE OPTIONAL. LEADS MUST ALWAYS BE NUMBERED AS SHOWN.
5. = MAGNET WIRE COIL END WITH I.D. NUMBER

| | | |
|----------------|----------------------|------------------------------|
| REV. DESC: NEW | | |
| REV. LTR: - | VERSION: 00 | TDR: 000000435106 |
| 01V100000 | FILE: \CKA\00032\277 | REVISED: 10:15:16 06/19/2007 |
| | MTL: - | BY: CKNTLO |

Baldor • Dodge • Reliance

TYPE L, DV, REV, 6 LD, CK

CD0001A10