

BALDOR® • *RELIANCE*

Product Information Packet

M1212T

20/5HP, 1760/880RPM, 3PH, 60HZ, 256T, 3936M, O

Part Detail							
Revision:	N	Status:	PRD/A	Change #:		Proprietary:	No
Type:	AC	Prod. Type:	3936M	Elec. Spec:	39WGW485	CD Diagram:	CD0032
Enclosure:	OPSB	Mfg Plant:		Mech. Spec:	39D101	Layout:	39LYD101
Frame:	256T	Mounting:	F1	Poles:	04/08	Created Date:	05-08-2006
Base:	RG	Rotation:	R	Insulation:	F	Eff. Date:	12-15-2014
Leads:	6#12					Replaced By:	
Literature:		Elec. Diagram:					

Nameplate NP1256L										
CAT.NO.	M1212T									
SPEC.	39D101W485									
HP	20/5									
VOLTS	460									
AMP	26/11.5									
RPM	1760/880									
FRAME	256T				HZ	60			PH	3
SER.F.	1.15		CODE	H	DES	B		CLASS	F	
NEMA-NOM-EFF			PF							
RATING	40C AMB-CONT									
CC									USABLE AT 208V	
DE	6309				ODE	6208				
ENCL	OPSB		SN							

Parts List		
Part Number	Description	Quantity
SA142415	SA 39D101W485	1.000 EA
RA131715	RA 39D101W485	1.000 EA
HA6361A01	LIFTING LUG FOR 37, 39 & 40 FRAME ZINC	2.000 EA
HA6016	ADAPTER, CAST CONDUIT BOX	1.000 EA
09CB3002	CB W/1.38 LEAD HOLE FOR 37, 39, 307 & 30	1.000 EA
51XW2520A12	.25-20 X .75, TAPTITE II, HEX WSHR SLTD	2.000 EA
HW1001A25	LOCKWASHER 1/4, ZINC PLT .493 OD, .255 I	2.000 EA
WD1000B17	T&B CX35TN TERMINAL	1.000 EA
11XW1032G06	10-32 X .38, TAPTITE II, HEX WSHR SLTD U	1.000 EA
39EP3200A01SP	FR/PU ENDPLATE, MACH	1.000 EA
HA4051A00	PLASTIC CAP FOR GREASE FITTING	1.000 EA
HW5100A08	W3118-035 WVY WSHR (WB)	1.000 EA
39EP3201A13	PU ENDPLATE, MACH	1.000 EA
HA4051A00	PLASTIC CAP FOR GREASE FITTING	1.000 EA
XY3816A12	3/8-16 FINISHED NUT	8.000 EA
09CB3501	CONDUIT BOX LID FOR 09CB3001 & 09CB3002	1.000 EA
51XW2520A12	.25-20 X .75, TAPTITE II, HEX WSHR SLTD	2.000 EA
HW2501G25	KEY, 3/8 SQ X 2.875	1.000 EA
LB1115N	LABEL,LIFTING DEVICE (ON ROLLS)	1.000 EA
HW4500A03	GREASE FITTING, .125 NPT 1610(ALEMITE) 8	1.000 EA
HW4500A20	1/8NPT SL PIPE PLUG	1.000 EA
MJ1000A02	GREASE, POLYREX EM EXXON (USe 4824-15A)	0.030 LB
HW4500A03	GREASE FITTING, .125 NPT 1610(ALEMITE) 8	1.000 EA
HW4500A20	1/8NPT SL PIPE PLUG	1.000 EA

Parts List (continued)		
Part Number	Description	Quantity
MG1000G27	MED CHARCOAL METALLIC GREY 400-0096	0.050 GA
85XU0407S04	4X1/4 U DRIVE PIN STAINLESS	2.000 EA
MN416A01	TAG-INSTAL-MAINT no wire (1200/bx) 11/14	1.000 EA
HA3154A09	TB STUD 3/8-16 X 16.25	4.000 EA
39AD2002A01	BAFFLE PLATE 39 OPEN, SLOTTED BAND MTRS	1.000 EA
39AD2002A01	BAFFLE PLATE 39 OPEN, SLOTTED BAND MTRS	1.000 EA
LB1119N	WARNING LABEL	1.000 EA
LC0032	CONNECTION LABEL	1.000 EA
NP1256L	ALUM UL CSA CC	1.000 EA
39PA1000	PACKAGING GROUP 39 PRINT	1.000 EA

Accessories		
Part Number	Description	Multiplier
39-3400	C FACE KIT	A8

AC Induction Motor Performance Data

Record # 12763 - Typical performance - not guaranteed values

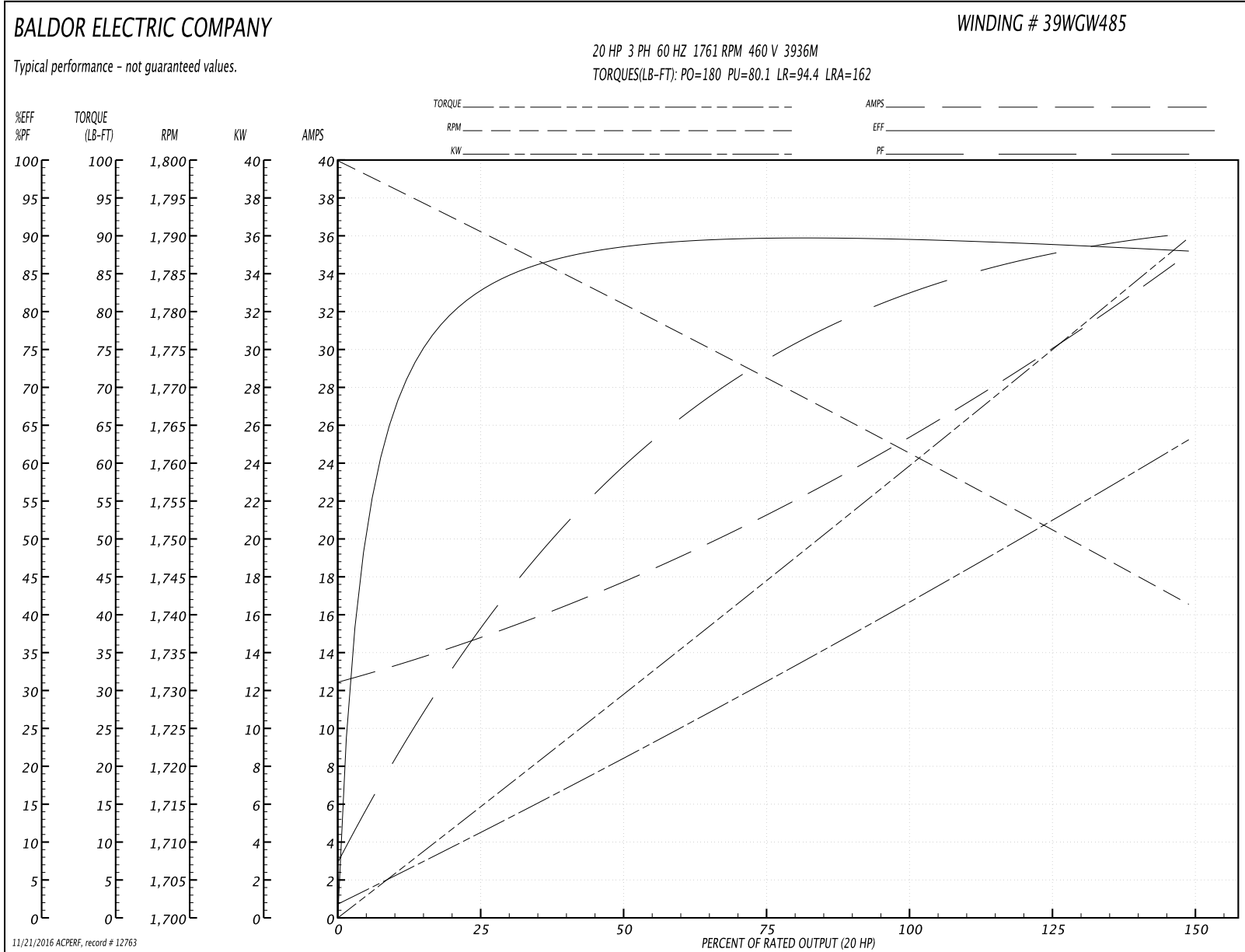
Winding: 39WGW485-R001	Type: 3936M	Enclosure: OPSB
-------------------------------	--------------------	------------------------

Nameplate Data				460 V, 60 Hz: High Speed Connection	
Rated Output (HP)	20/5			Full Load Torque	59.8 LB-FT
Volts	460			Start Configuration	direct on line
Full Load Amps	26/11.5			Breakdown Torque	180 LB-FT
R.P.M.	1760/880			Pull-up Torque	80.1 LB-FT
Hz	60	Phase	3	Locked-rotor Torque	94.4 LB-FT
NEMA Design Code	B	KVA Code	H	Starting Current	162 A
Service Factor (S.F.)	1.15			No-load Current	13.1 A
NEMA Nom. Eff.	0	Power Factor	0	Line-line Res. @ 25°C	0.635 Ω
Rating - Duty	40C AMB-CONT			Temp. Rise @ Rated Load	64°C
S.F. Amps				Temp. Rise @ S.F. Load	78°C

Load Characteristics 460 V, 60 Hz, 20 HP

% of Rated Load	25	50	75	100	125	150	S.F.
Power Factor	40	62	74	81	84	85	83
Efficiency	83	88.7	89.8	89.6	88.6	88.1	89
Speed	1791	1782	1771	1761	1749	1743	1754
Line amperes	14.3	17.1	21.1	25.9	31.4	34	29.2

Performance Graph at 460V, 60Hz, 20.0HP Typical performance - Not guaranteed values



AC Induction Motor Performance Data

Record # 12764 - Typical performance - not guaranteed values

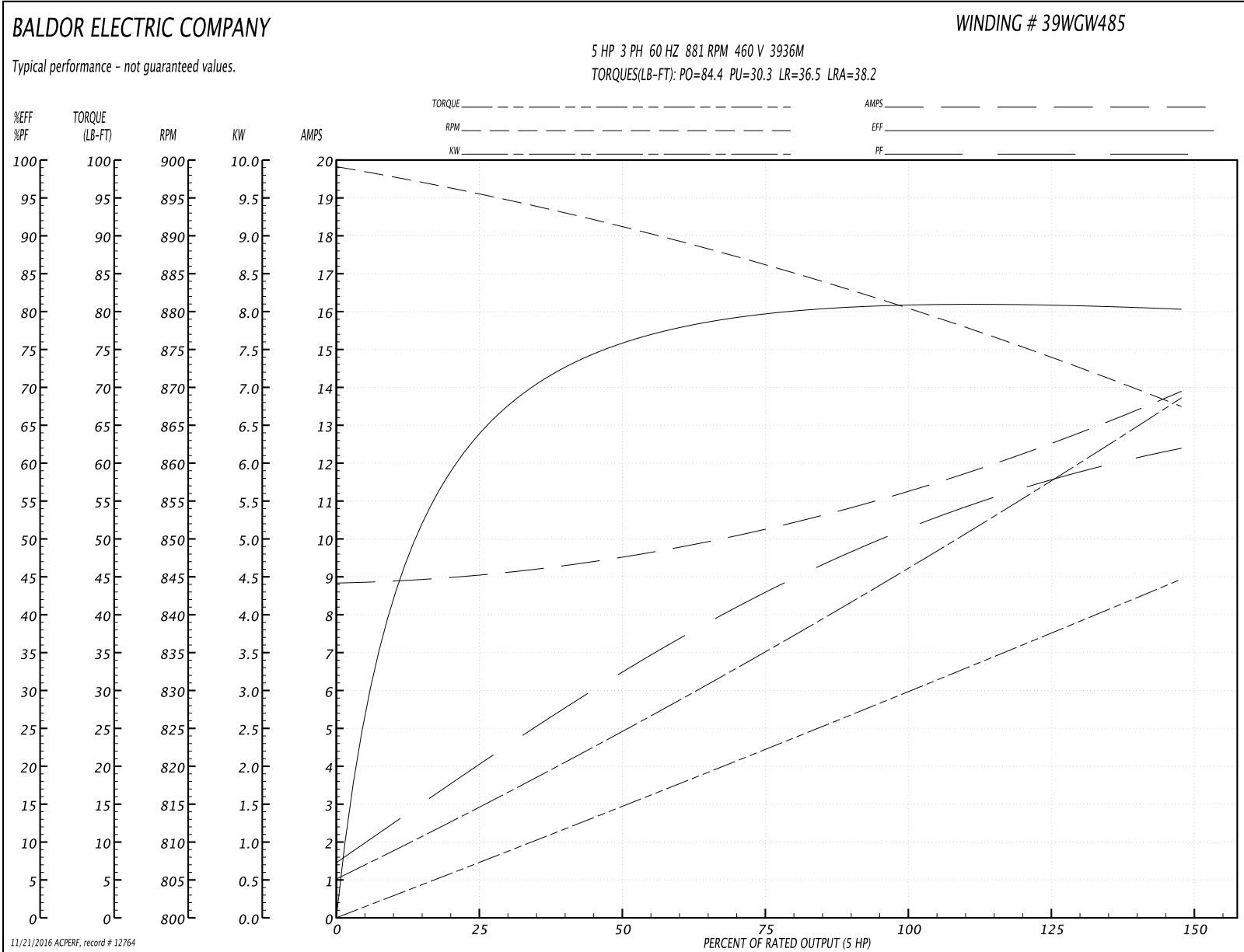
Winding: 39WGW485-R001	Type: 3936M	Enclosure: OPSB
-------------------------------	--------------------	------------------------

Nameplate Data				460 V, 60 Hz: Low Speed Connection	
Rated Output (HP)	20/5			Full Load Torque	29.8 LB-FT
Volts	460			Start Configuration	direct on line
Full Load Amps	26/11.5			Breakdown Torque	84.4 LB-FT
R.P.M.	1760/880			Pull-up Torque	30.3 LB-FT
Hz	60	Phase	3	Locked-rotor Torque	36.5 LB-FT
NEMA Design Code	B	KVA Code	H	Starting Current	38.2 A
Service Factor (S.F.)	1.15			No-load Current	8.88 A
NEMA Nom. Eff.	0	Power Factor	0	Line-line Res. @ 25°C	2.52 Ω
Rating - Duty	40C AMB-CONT			Temp. Rise @ Rated Load	57°C
S.F. Amps				Temp. Rise @ S.F. Load	66°C

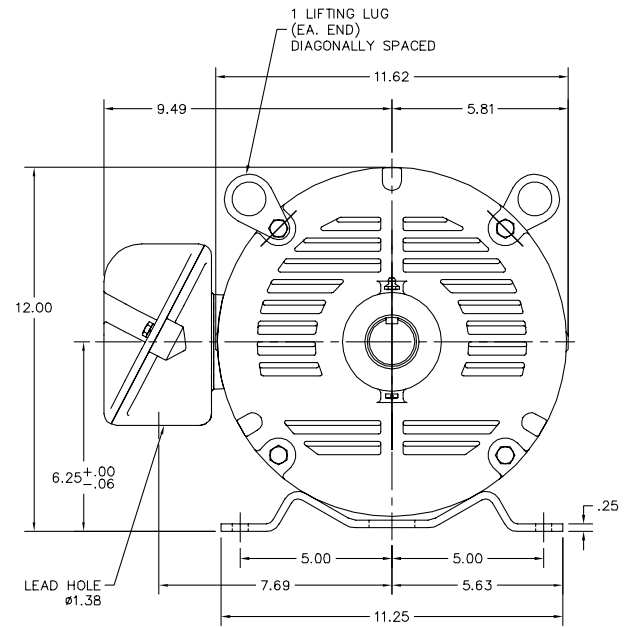
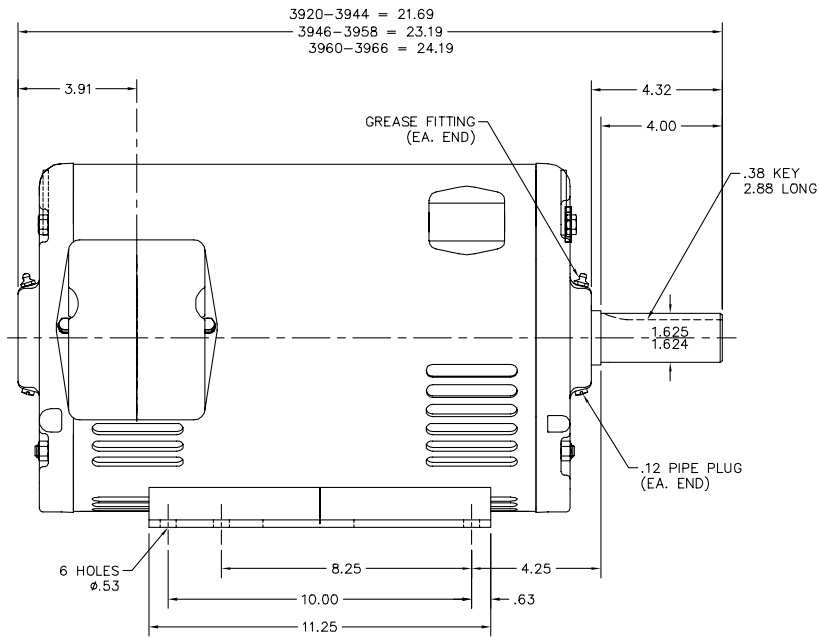
Load Characteristics 460 V, 60 Hz, 5 HP

% of Rated Load	25	50	75	100	125	150	S.F.
Power Factor	20	33	43	51	57	60	55
Efficiency	63.2	75.6	79.9	81.2	80.9	80.2	81
Speed	896	890	887	881	873	868	876
Line amperes	9.02	9.5	10.2	11.3	12.6	13.8	12.08

Performance Graph at 460V, 60Hz, 5.0HP Typical performance - Not guaranteed values



39LYD101



CUSTOMER IS RESPONSIBLE FOR DETERMINING THAT BALDOR'S PRODUCT WILL PERFORM SUITABLY IN THE INTENDED APPLICATION.

REV. DESC: UPDATED DESCRIPTION	VERSION: 07	TDR: 000000855149
REV. LTR: P	REVISED: 02:04:12 05/23/2014	BY: ENNINDO
FILE: \AAA\00006\034		
MTL: -		

BALDOR

HORZ OPSB 254-6T

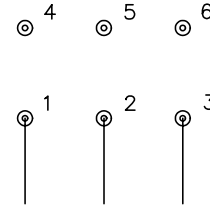
SH 1 of 1

39LYD101

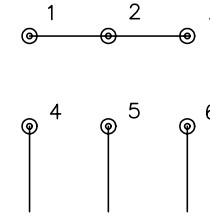
CD0032



LOW SPEED
(1Y)



HIGH SPEED
(2Y)



NOTES:

1. INTERCHANGE ANY TWO LINE LEADS TO REVERSE ROTATION.
2. OPTIONAL THERMOSTATS ARE PROVIDED WHEN SPECIFIED.
3. ACTUAL NUMBER OF INTERNAL PARALLEL CIRCUITS MAY BE A MULTIPLE OF THOSE SHOWN ABOVE.
4. LEAD COLORS ARE OPTIONAL. LEADS MUST ALWAYS BE NUMBERED AS SHOWN.

REV. DESC: REVISE TO SHOW OPTIONAL COLORS			
REV. LTR: E	BY: JLP	REVISED: 01/22/99 8:27	TDR: 0171435
CD0032		FILE: AAA00005145	MDL: -
		MTL: -	

BALDOR ELECTRIC Co.

3PH, SV, 6 LEADS, 2-SPEED 1-WINDING VARIABLE TORQUE

CD0032