

BALDOR® • **RELIANCE**

Product Information Packet

M3539

.5HP, 1140RPM, 3PH, 60HZ, 56, 3418M, TEFC, F1

| Part Detail | | | | | | | |
|-------------|------|----------------|-------|-------------|----------|---------------|------------|
| Revision: | V | Status: | PRD/A | Change #: | | Proprietary: | No |
| Type: | AC | Prod. Type: | 3418M | Elec. Spec: | 34WG5884 | CD Diagram: | CD0005 |
| Enclosure: | TEFC | Mfg Plant: | | Mech. Spec: | 34A061 | Layout: | 34LYA061 |
| Frame: | 56 | Mounting: | F1 | Poles: | 06 | Created Date: | |
| Base: | RG | Rotation: | R | Insulation: | B | Eff. Date: | 09-19-2016 |
| Leads: | 9#18 | | | | | Replaced By: | |
| Literature: | | Elec. Diagram: | | | | | |

| Nameplate NP1256L | | | | | | | | | | |
|-------------------|--------------|--|--|------|-----|------|---|--|----------------|-----|
| CAT.NO. | M3539 | | | | | | | | | |
| SPEC. | 34A61-5884 | | | | | | | | | |
| HP | .5 | | | | | | | | | |
| VOLTS | 230/460 | | | | | | | | | |
| AMP | 2.4/1.2 | | | | | | | | | |
| RPM | 1140 | | | | | | | | | |
| FRAME | 56 | | | | HZ | 60 | | | PH | 3 |
| SER.F. | 1.25 | | | CODE | J | DES | B | | CLASS | B |
| NEMA-NOM-EFF | 72 | | | PF | 55 | | | | | |
| RATING | 40C AMB-CONT | | | | | | | | | |
| CC | | | | | | | | | USABLE AT 208V | 2.7 |
| DE | 6203 | | | | ODE | 6203 | | | | |
| ENCL | TEFC | | | SN | | | | | | |
| | SFA 2.6/1.3 | | | | | | | | | |

| Parts List | | |
|---------------|--|----------|
| Part Number | Description | Quantity |
| SA009790 | SA 34A61-5884 | 1.000 EA |
| RA006235 | RA 34A61-5884 | 1.000 EA |
| 34CB3002A | CB CAST W/.88 DIA HOLE | 1.000 EA |
| 34GS1029A01 | GASKET, CONDUIT BOX | 1.000 EA |
| 51XB1016A07 | 10-16 X 7/16 HXWSSLD SERTYB | 2.000 EA |
| 11XW1032G06 | 10-32 X .38, TAPTITE II, HEX WSHR SLTD U | 1.000 EA |
| 34EP3102A01SP | FR ENDPLATE, MACH | 1.000 EA |
| HW5100A03SP | WAVY WASHER (W1543-017) | 1.000 EA |
| 34EP3102A02SP | FR/PU ENDPLATE, MACH | 1.000 EA |
| XY1032A02 | 10-32 HEX NUT DIRECTIONAL SERRATION | 4.000 EA |
| 34FN3002A01SP | EXTERNAL FAN, PLASTIC, .637/.639 HUB W/ | 1.000 EA |
| 34FH4002A01SP | IEC FH NO GREASER PRIMED | 1.000 EA |
| 51XW1032A06 | 10-32 X .38, TAPTITE II, HEX WSHR SLTD S | 3.000 EA |
| 34CB4517 | CB LID 4 MTG HOLES .22 DIA STAMPED, FOR | 1.000 EA |
| 34GS1031A01 | GASKET, FLAT CONDUIT BOX LID (LEXIDE) | 1.000 EA |
| 51XW0832A07 | 8-32 X .44, TAPTITE II, HEX WSHR SLTD SE | 4.000 EA |
| HW2501D13 | KEY, 3/16 SQ X 1.375 | 1.000 EA |
| HA7000A04 | KEY RETAINER 0.625 DIA SHAFTS | 1.000 EA |
| MG1000G27 | MED CHARCOAL METALLIC GREY 400-0096 | 0.014 GA |
| 85XU0407S04 | 4X1/4 U DRIVE PIN STAINLESS | 2.000 EA |
| HA3100A12 | THRUBOLT 10-32 X 7.375 | 4.000 EA |
| LB1171 | LABEL CARTON 6X6 ON LINE BLANK | 1.000 EA |
| LC0005E01 | CONN.DIA./WARNING LABEL (LC0005/LB1119N) | 1.000 EA |
| NP1256L | ALUM UL CSA CC | 1.000 EA |

| Parts List (continued) | | |
|------------------------|--------------------------|----------|
| Part Number | Description | Quantity |
| 34PA1002 | PKG GRP, PRINT PK1001A01 | 1.000 EA |

| Accessories | | |
|--------------------|--------------------|-------------------|
| Part Number | Description | Multiplier |
| 34-171 | C FACE KIT | A8 |

AC Induction Motor Performance Data
Record # 6835 - Typical performance - not guaranteed values

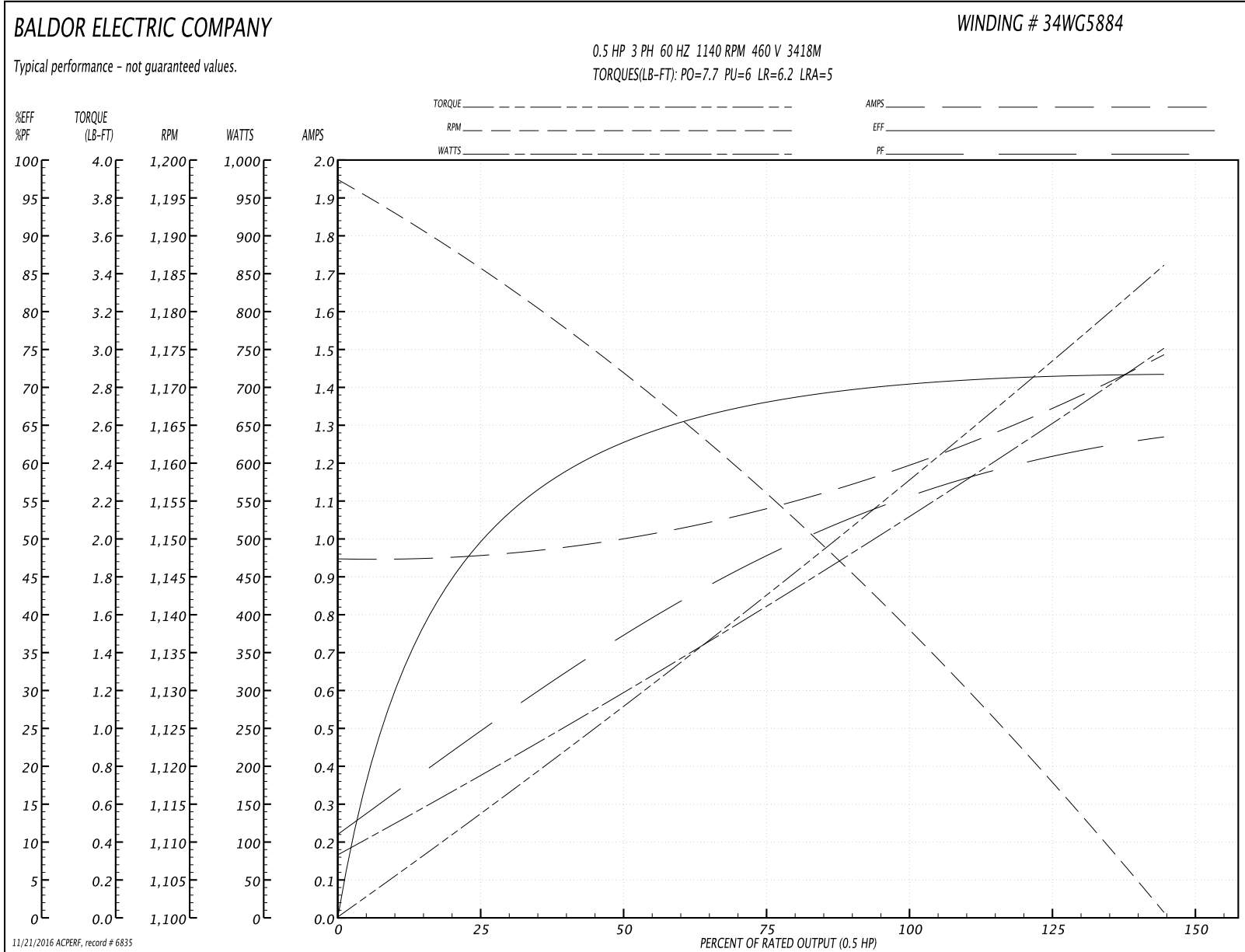
| | | |
|-------------------------------|--------------------|------------------------|
| Winding: 34WG5884-R001 | Type: 3418M | Enclosure: TEFC |
|-------------------------------|--------------------|------------------------|

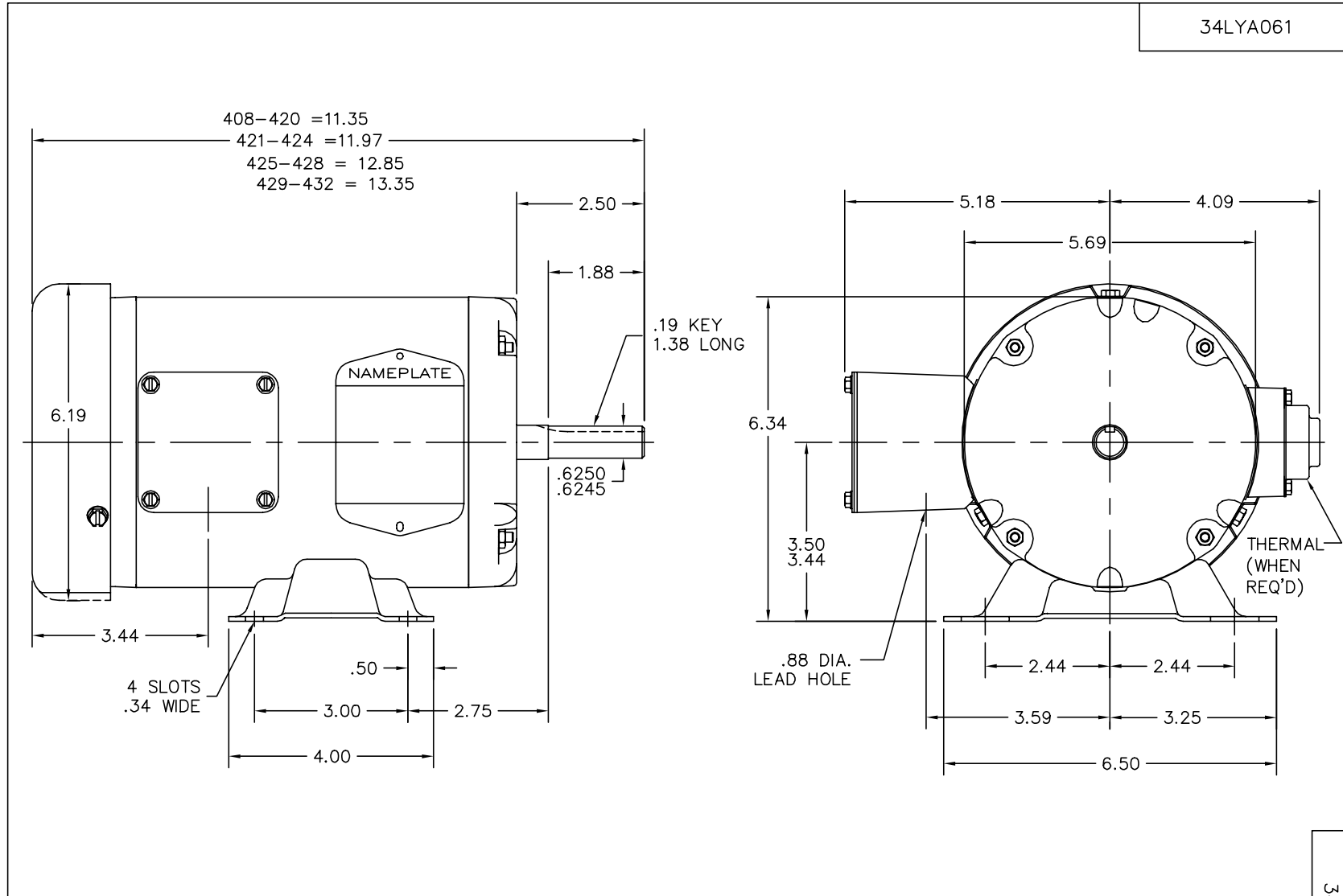
| Nameplate Data | | | | 460 V, 60 Hz: High Voltage Connection | |
|-----------------------|--------------|--------------|----|--|----------------|
| Rated Output (HP) | .5 | | | Full Load Torque | 2.3 LB-FT |
| Volts | 230/460 | | | Start Configuration | direct on line |
| Full Load Amps | 2.4/1.2 | | | Breakdown Torque | 7.7 LB-FT |
| R.P.M. | 1140 | | | Pull-up Torque | 6 LB-FT |
| Hz | 60 | Phase | 3 | Locked-rotor Torque | 6.2 LB-FT |
| NEMA Design Code | B | KVA Code | J | Starting Current | 5 A |
| Service Factor (S.F.) | 1.25 | | | No-load Current | 0.95 A |
| NEMA Nom. Eff. | 72 | Power Factor | 55 | Line-line Res. @ 25°C | 39.6 Ω |
| Rating - Duty | 40C AMB-CONT | | | Temp. Rise @ Rated Load | 63°C |
| S.F. Amps | 2.6/1.3 | | | Temp. Rise @ S.F. Load | 77°C |

Load Characteristics 460 V, 60 Hz, 0.5 HP

| % of Rated Load | 25 | 50 | 75 | 100 | 125 | 150 | S.F. |
|-----------------|------|------|------|------|------|------|------|
| Power Factor | 20 | 34 | 45 | 55 | 62 | 68 | 62 |
| Efficiency | 48 | 63 | 67 | 72 | 72 | 71 | 72 |
| Speed | 1185 | 1170 | 1155 | 1140 | 1120 | 1100 | 1120 |
| Line amperes | 0.95 | 1 | 1.1 | 1.2 | 1.3 | 1.5 | 1.3 |

Performance Graph at 460V, 60Hz, 0.5HP Typical performance - Not guaranteed values





CUSTOMER IS RESPONSIBLE FOR DETERMINING THAT MOTOR PERFORMANCE IS SUITABLE IN THE APPLICATION.

REV. DESC: ADDED DIM 3.44, UPDATE ASSEMBLY PART & DRAWING

REV. LTR: J

VERSION: 02

TDR: 000000358076

34LYA061

FILE: \AAA\00000\561

REVISED: 13:19:12 02/25/2005

MTL: -

BY: ENROSTO

BALDOR ELECTRIC Co.

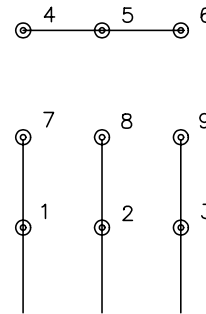
STD HORZ 34M NEMA 56 TEFC

34LYA061

CD0005



LOW VOLTAGE
(2Y)



LINE

HIGH VOLTAGE
(1Y)



LINE

NOTES:

1. INTERCHANGE ANY TWO LINE LEADS TO REVERSE ROTATION.
2. OPTIONAL THERMOSTATS ARE PROVIDED WHEN SPECIFIED.
3. ACTUAL NUMBER OF INTERNAL PARALLEL CIRCUITS MAY BE A MULTIPLE OF THOSE SHOWN ABOVE.
4. LEAD COLORS ARE OPTIONAL. LEADS MUST ALWAYS BE NUMBERED AS SHOWN.

| | | | |
|---|---------|-------------------------|--------------|
| REV. DESC: REVISE TO SHOW OPTIONAL COLORS | | | |
| REV. LTR: E | BY: JLP | REVISED: 01/19/99 10:15 | TDR: 0171435 |
| 900000 | | FILE: AAA00005140 | MDL: - |
| | | MTL: - | |

BALDOR ELECTRIC Co.

3PH, DV, 9 LEADS

CD0005