

BALDOR® • *RELIANCE*

Product Information Packet

OF4312T

50HP, 1130RPM, 3PH, 60HZ, 404T, A40062M, TEFC

Part Detail							
Revision:	F	Status:	PRD/A	Change #:		Proprietary:	No
Type:	AC	Prod. Type:	A40062M	Elec. Spec:	A40WG0515	CD Diagram:	416820-004
Enclosure:	TEFC	Mfg Plant:		Mech. Spec:		Layout:	617429-521
Frame:	404T	Mounting:	F2	Poles:	06	Created Date:	07-19-2013
Base:		Rotation:	R	Insulation:	F	Eff. Date:	08-12-2015
Leads:	6#6					Replaced By:	
Literature:		Elec. Diagram:					

Nameplate NP2294L							
CAT.NO.	OF4312T	SPEC NO.	P40G3939	FRAME	404T		
HP	50	PHASE	3	DESIGN	D	TYPE	P
RPM	1130	HZ	60	AMB	40	SF	1.15
VOLTS	460/796	DUTY	CONT	INSUL.CLASS	F		
AMPS	58.8/33.9	ENCL	TEFC	CODE	G		
DRIVE END BEARING	80BC03J30X	NEMA-NOM-EFFICIENCY	89.5				
OPP D.E. BEARING	80BC03J30X						
SER.NO.		OVER TEMP PROT	2				
MOTOR WEIGHT	1316						

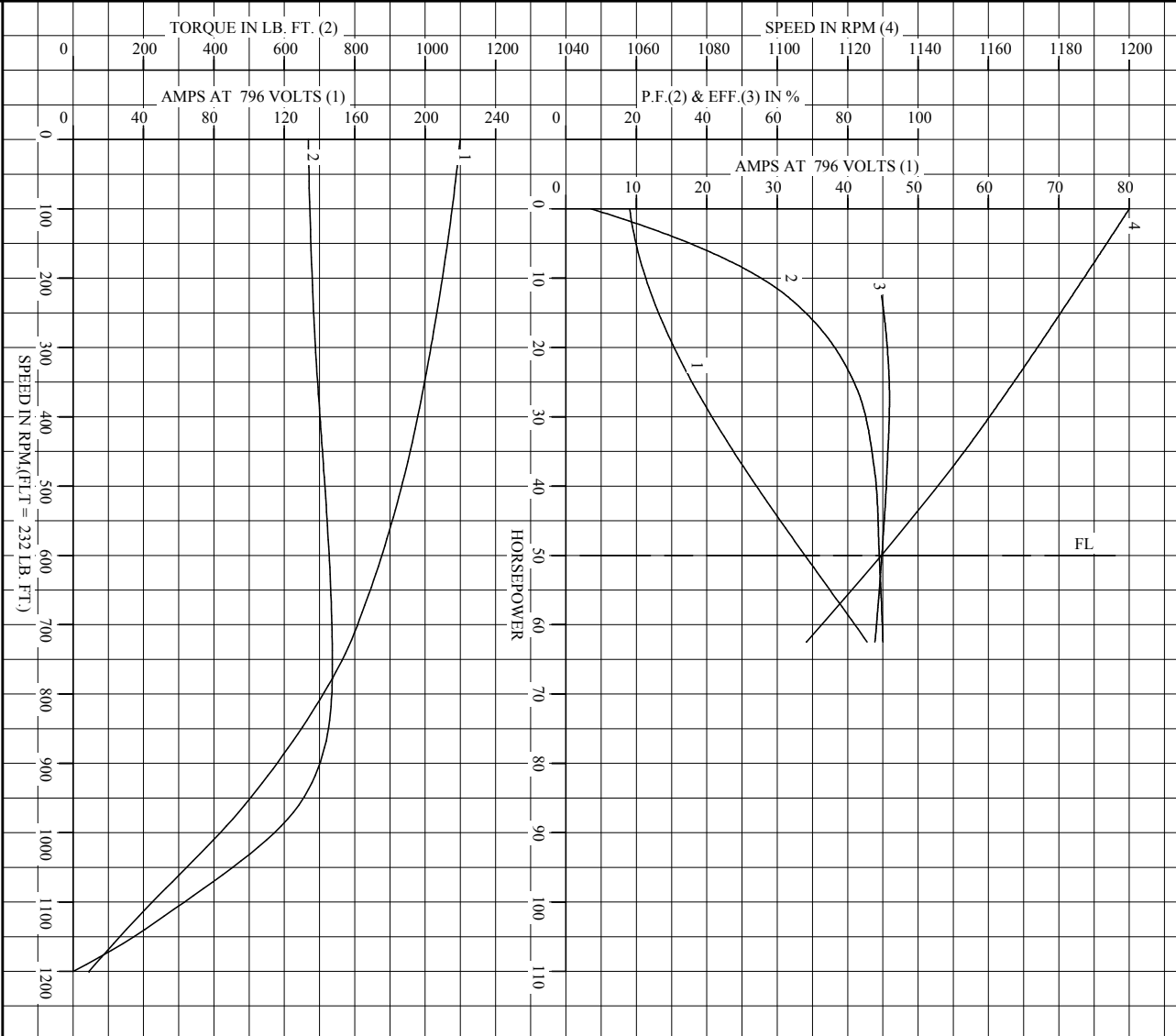
Parts List		
Part Number	Description	Quantity
SA267729	SA P40G3939	1.000 EA
RA254399	RA P40G3939	1.000 EA
NP2294L	BALDOR RELIANCE INDUSTRIAL MTR,SS,CSA-C	1.000 EA
000692000VD	LABEL WARNING	1.000 EA
000692000FF	N/P	1.000 EA
004824015A	GREASE POLYREX EM	0.884 LB
032018010CK	HHCS 3/8-16X1-1/4 PLTD.	4.000 EA
032018020EK	HHCS 5/8-11X2-1/2 PLTD.	4.000 EA
032018024CK	HHCS 3/8-16X3 PLTD.	3.000 EA
034000014AB	WSH ID.406 OD.812 TH.065	4.000 EA
034180012DA	KEY 1X4X1/4X1-1/2 L	1.000 EA
034530052AB	P/NIP 1/8X6-1/2 GALV.	1.000 EA
034530056BB	P/NIP 1/4X7 SCHED 40	1.000 EA
034631002AB	BUSH 1/4 TO 1/8 PLTD.	1.000 EA
034692005AA	P PLUG 3/4"BLK.	1.000 EA
083198124	G400 STD FAN COVER MACH. 083198101A	1.000 EA
089412501A	BRKT FTMT G400 FIN MACH 6316 89412500WCA	1.000 EA
410700000DA	WAVY SPRING WASHER	1.000 EA
415045002B	SLGR	1.000 EA
415096002A	CPLG 1/8 HEX TYPE	1.000 EA
412118006A	DRAIN	1.000 EA
702618004T	FAN KB 182/70 (112) 440	1.000 EA
032018020EK	HHCS 5/8-11X2-1/2 PLTD.	4.000 EA
032018024CK	HHCS 3/8-16X3 PLTD.	3.000 EA

Parts List (continued)		
Part Number	Description	Quantity
034530040AB	P/NIP 1/8X5 GALV.	1.000 EA
034530040BB	P/NIP 1/4X5	1.000 EA
034631002AB	BUSH 1/4 TO 1/8 PLTD.	1.000 EA
089412501A	BRKT FTMT G400 FIN MACH 6316 89412500WCA	1.000 EA
415045002B	SLGR	1.000 EA
415096002A	CPLG 1/8 HEX TYPE	1.000 EA
412118006A	DRAIN	1.000 EA
032018010CK	HHCS 3/8-16X1-1/4 PLTD.	4.000 EA
033512004LB	HHTTS 1/4-20X1/2 PLTD.	1.000 EA
033512008LB	HHTTS 1/4-20X1 PLATED	4.000 EA
034000014AB	WSH ID.406 OD.812 TH.065	4.000 EA
035000001A	ALFTG 1/8" 1610-BL	1.000 EA
035000001A	ALFTG 1/8" 1610-BL	1.000 EA
065776000C	TERBD 320-400	1.000 EA
067053000B	GASK 320-400	1.000 EA
076708000BB	C/B - 360	1.000 EA
076709000A	C/B - 360	1.000 EA
406099000A	PLUG - FAN COVER 320-440	1.000 EA
415000103D	T/LUG #4AWG-1/0AWG W/HOLE FOR .250 BOLT	1.000 EA
418150003A	GREASE FITTING CAP	1.000 EA
MG1025G03	WILKOFAS, 789.901, OIL RIG SILVER	0.375 GA
418150003A	GREASE FITTING CAP	1.000 EA
033775004EA	DRSCR #6-1/4 304 S.S.	4.000 EA
034180044JA	KEY 3/4X3/4X5-1/2 L	1.000 EA

Product Information Packet: OF4312T - 50HP,1130RPM,3PH,60HZ,404T,A40062M,TEFC

421948037	LABEL, MYLAR	1.000 EA
PK5004A02	WOOD BASE 40X32 STACK 2X4 RUNNER	1.000 EA
035000001G	GREASE RELIEF FITTING, ALEMITE 317400	1.000 EA
035000001G	GREASE RELIEF FITTING, ALEMITE 317400	1.000 EA

REL S.O. _____ RPM 1130 S.F. 1.15 ROTOR 418142075AA
 FRAME 404T VOLTS 460/796 NEMA DESIGN D TEST S.O. CALCULATED DATA
 HP 50 AMPS 58.8/33.9 CODE LETTER G TEST DATE ---
 TYPE P DUTY CONT ENCLOSURE TEFC STATOR RES. @ 25 °C .138/.413
 PHASE/HERTZ 3/60 AMB °C/INSUL 40/F E/S 595999 OHMS (BETWEEN LINES)



AMPERES SHOWN FOR 796 VOLT CONNECTION, IF OTHER VOLTAGE CONNECTIONS ARE AVAILABLE, THE AMPERES WILL VARY INVERSELY WITH THE RATED VOLTAGE.

BALDOR
 A MEMBER OF THE ABB GROUP

DR. BY B.R. BENDY
 CK. BY C.E. JAMISON
 APP. BY W.L. SMITH
 DATE 02/02/2012

A-C MOTOR PERFORMANCE CURVES
 A40WG0515-R001
 ISSUE DATE 02/02/2012

Printed on 2/2/12 11:22 @ ragsun

REL. S.O.	FRAME	HP	TYPE	PHASE/HERTZ	RPM	VOLTS
	404T	50	P	3/60	1130	460/796
AMPS	DUTY	AMB °C/ INSUL.	S.F.	NEMA DESIGN	CODE LETTER	ENCL.
58.8/33.9	CONT	40/F	1.15	D	G	TEFC
E/S	ROTOR	TEST S.O.	TEST DATE	STATOR RES. @25 °C (OHMS (BETWEEN LINES))		
595999	418142075AA	---	---	.138/.413		


PERFORMANCE

LOAD	HP	AMPERES	RPM	POWER FACTOR %	EFFICIENCY %
NO LOAD	0	9.1	1200	7.13	0
1/4	12.5	12.1	1184	62.6	89.6
2/4	25.0	18.0	1167	81.8	91.8
3/4	37.5	25.4	1149	87.6	91.2
4/4	50.0	33.9	1130	89.0	89.7
5/4	62.5	42.8	1108	90.0	87.8

SPEED TORQUE

	RPM	TORQUE % FULL LOAD	TORQUE LB.-FT.	AMPERES
LOCKED ROTOR	0	287	668	220
PULL UP	0	287	668	220
BREAKDOWN	758	317	736	152
FULL LOAD	1130	100	232	33.9

AMPERES SHOWN FOR 796. VOLT CONNECTION. IF OTHER VOLTAGE CONNECTIONS ARE AVAILABLE, THE AMPERES WILL VARY INVERSELY WITH THE RATED VOLTAGE
 REMARKS: CALCULATED DATA

 A MEMBER OF THE ABB GROUP	DR. BY	B. R. PENDEY	A-C MOTOR PERFORMANCE DATA A40WG0515-R001 ISSUE DATE 02/02/20
	CK. BY	C. E. JAMISON	
	APP. BY	W. L. SMITH	
	DATE	02/02/2012	

DUTY MASTER ALTERNATING CURRENT MOTORS

SQUIRREL-CAGE INDUCTION

ENCLOSURE: TOTALLY ENCLOSED

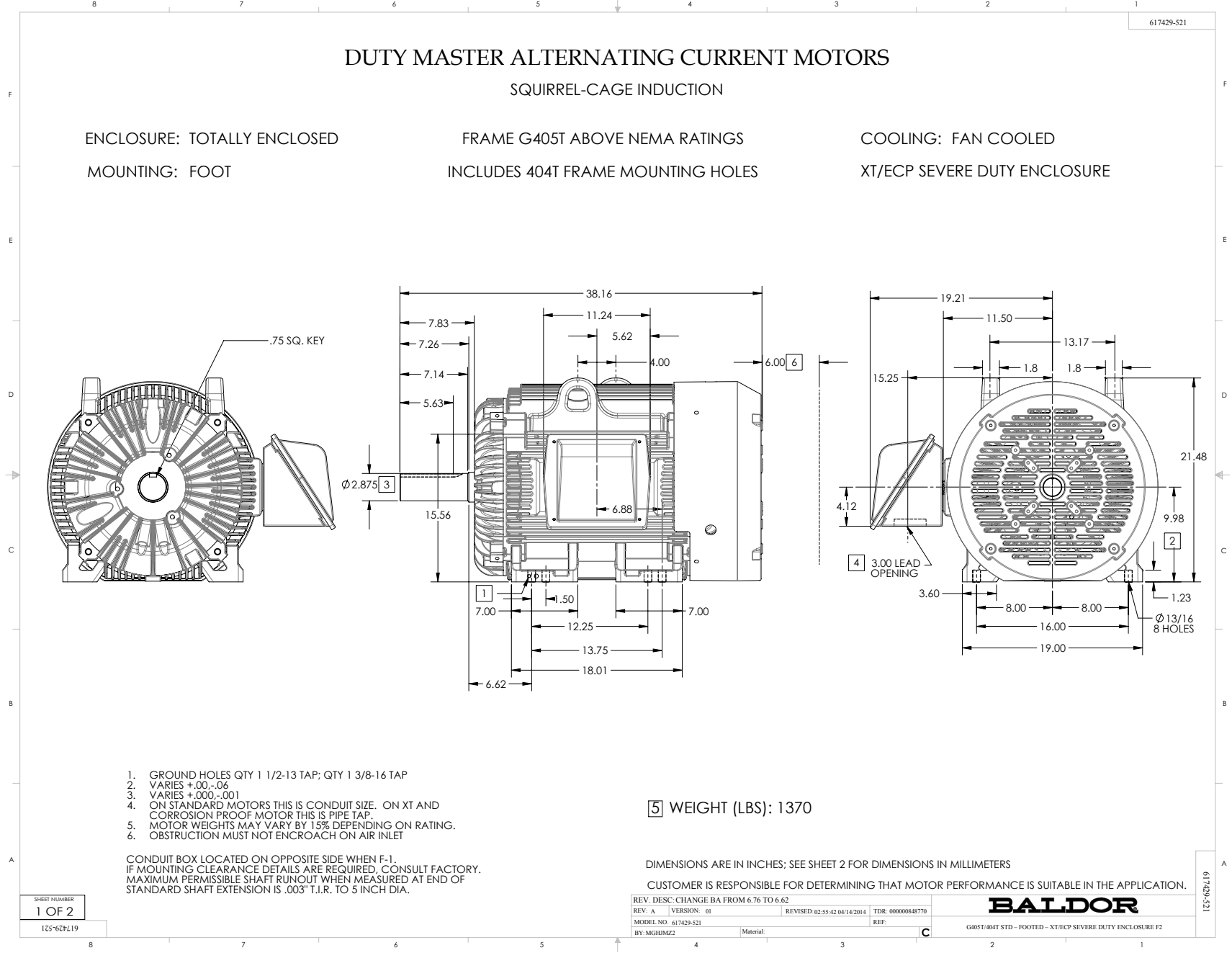
FRAME G405T ABOVE NEMA RATINGS

COOLING: FAN COOLED

MOUNTING: FOOT

INCLUDES 404T FRAME MOUNTING HOLES

XT/ECP SEVERE DUTY ENCLOSURE



1. GROUND HOLES QTY 1 1/2-13 TAP; QTY 1 3/8-16 TAP
2. VARIES +.00,-.06
3. VARIES +.00,-.001
4. ON STANDARD MOTORS THIS IS CONDUIT SIZE. ON XT AND CORROSION PROOF MOTOR THIS IS PIPE TAP.
5. MOTOR WEIGHTS MAY VARY BY 15% DEPENDING ON RATING.
6. OBSTRUCTION MUST NOT ENCR OACH ON AIR INLET

[5] WEIGHT (LBS): 1370

CONDUIT BOX LOCATED ON OPPOSITE SIDE WHEN F-1.
IF MOUNTING CLEARANCE DETAILS ARE REQUIRED, CONSULT FACTORY.
MAXIMUM PERMISSIBLE SHAFT RUNOUT WHEN MEASURED AT END OF STANDARD SHAFT EXTENSION IS .003" T.I.R. TO 5 INCH DIA.

DIMENSIONS ARE IN INCHES; SEE SHEET 2 FOR DIMENSIONS IN MILLIMETERS

CUSTOMER IS RESPONSIBLE FOR DETERMINING THAT MOTOR PERFORMANCE IS SUITABLE IN THE APPLICATION.

SHEET NUMBER
1 OF 2

1CS-627219

REV. DESC: CHANGE BA FROM 6.76 TO 6.62			
REV: A	VERSION: 01	REVISED: 02-55-42 04/14/2014	TDR: 00000848770
MODEL NO. 617429-521		REF:	
BY: MGHM22	Material:	C	

BALDOR

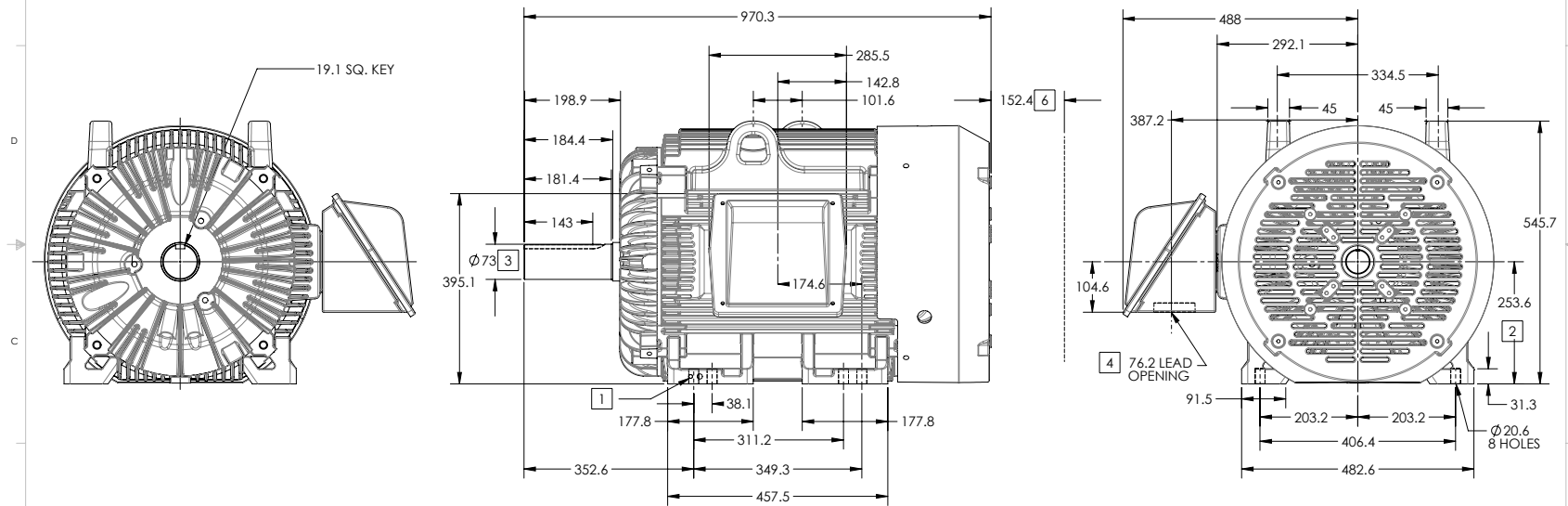
G405T-404T STD - FOOTED - XT/ECP SEVERE DUTY ENCLOSURE F2

DUTY MASTER ALTERNATING CURRENT MOTORS
SQUIRREL-CAGE INDUCTION

ENCLOSURE: TOTALLY ENCLOSED
MOUNTING: FOOT

FRAME G405T ABOVE NEMA RATINGS
INCLUDES 404T FRAME MOUNTING HOLES

COOLING: FAN COOLED
XT/ECP SEVERE DUTY ENCLOSURE



1. GROUND HOLES QTY 1 1/2-13 TAP; QTY 1 3/8-16 TAP
2. VARIES +0,-1.5
3. VARIES +.00,-.03
4. ON STANDARD MOTORS THIS IS CONDUIT SIZE. ON XT AND CORROSION PROOF MOTOR THIS IS PIPE TAP.
5. MOTOR WEIGHTS MAY VARY BY 15% DEPENDING ON RATING.
6. OBSTRUCTION MUST NOT ENCROACH ON AIR INLET

[5] WEIGHT (KGS): 630

CONDUIT BOX LOCATED ON OPPOSITE SIDE WHEN F-1.
IF MOUNTING CLEARANCE DETAILS ARE REQUIRED, CONSULT FACTORY.
MAXIMUM PERMISSIBLE SHAFT RUNOUT WHEN MEASURED AT END OF STANDARD SHAFT EXTENSION IS .08 MM T.I.R. TO 127 MM DIA.

DIMENSIONS ARE IN MILLIMETERS; SEE SHEET 1 FOR DIMENSIONS IN INCHES

CUSTOMER IS RESPONSIBLE FOR DETERMINING THAT MOTOR PERFORMANCE IS SUITABLE IN THE APPLICATION.

SHEET NUMBER
2 OF 2

1CS-627219

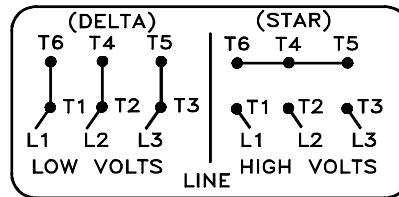
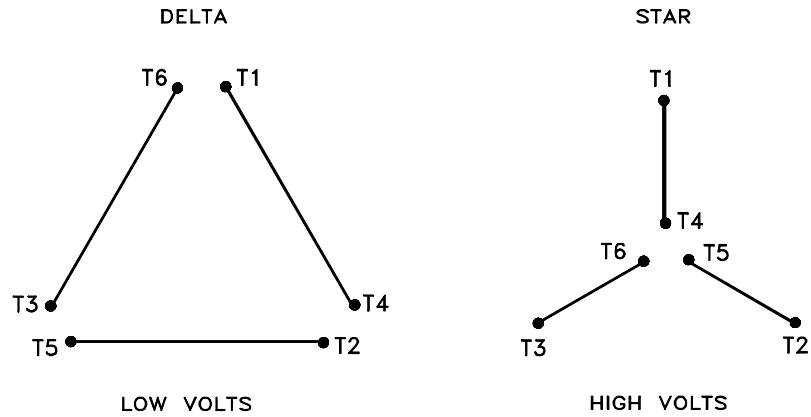
REV. DESC: CHANGE BA FROM 6.76 TO 6.62	TDR: 000000848770
REV: A VERSION: 01	REVISED: 02-55-42 04/14/2014
MODEL NO. 617429-521	REF:
BY: MGHMMZ2	Material:

BALDOR

G405T-404T STD - FOOTED - XT/ECP SEVERE DUTY ENCLOSURE F2

416820-004

A-C MOTOR
CONNECTION DIAGRAM
STANDARD 6 LEAD (DELTA/STAR CONNECTED)
DUAL VOLTAGE (LOW VOLTS/HIGH VOLTS)



(N.P. 1767-CC)

416820-004

REV. DESC: ADDED CLASSIFICATONS		
REV. LTR: B	VERSION: 02	TDR: 000000539297
FILE: \RSN\00017\950	REVISED: 11:58:09 05/04/2010	
MTL: -	BY: RAGRA	

BALDOR

A-C MOTOR CONNECTION DIAGRAM

SH 1 of 1

Marketing maintained PDF of MN408:

<http://www.baldor.com/support/Literature/Load.ashx/MN408?ManNumber=MN408>

Marketing maintained PDF of MN416:

<http://www.baldor.com/support/Literature/Load.ashx/MN416?ManNumber=MN416>