

BALDOR® • ***RELIANCE***

Product Information Packet

SUM70754-4

7.50HP,1730RPM,3PH,60HZ,180TY,TENV,FOOT

Part Detail							
Revision:	-	Status:	PRD/A	Change #:		Proprietary:	No
Type:	AC	Prod. Type:		Elec. Spec:	E02757-A-A010	CD Diagram:	416820-1
Enclosure:	TENV	Mfg Plant:		Mech. Spec:		Layout:	066930-017
Frame:	180TY	Mounting:	V1	Poles:	04	Created Date:	04-09-2015
Base:		Rotation:	R	Insulation:	F	Eff. Date:	04-13-2015
Leads:						Replaced By:	
Literature:		Elec. Diagram:					

Nameplate 000613007AC		
CLASS I GROUP	C D X	NO. <input type="text"/>
CLASS II GROUP	X X X	
OPERATING TEMP CODE	T3C	

Nameplate 000613007MN									
CAT NO	SUM70754-4		SPEC NO.	P18G2704					
HP	7.5	AMPS	20.2/10.1		VOLTS	230/ 460		DESIGN	B
FRAME SIZE	X0180TY	RPM	1730		HZ	60	AMB	40	
D.E. BRG.	50BC02JPP30A		PH	3		DUTY	*		
O.D.E. BRG.	25BC02JPG30A		TYPE	P		ENCL	TENV		
			POWER FACTOR						
			MAX CORR KVAR						
			NEMA NOM/CSA QUOTED EFF @						
SER.NO.			MOTOR WEIGHT	270		LBS.		GUARANTEED EFFICIENCY	
								100% LOAD	
	*15 MIN IN AIR ;SUB.IN								
	WATER/SEWAGE ONLY ;FINAL CONN								
	460 VOLT;; P18G2704F								

Nameplate 000613007MR									
CAT NO	SUM70754-4		SPEC NO.	P18G2704					
HP	7.5	AMPS	20.2/10.1		VOLTS	230/ 460		DESIGN	B
FRAME SIZE	X0180TY	RPM	1730		HZ	60	AMB	40	
D.E. BRG.	50BC02JPP30A		PH	3	DUTY	*		INSUL	F
O.D.E. BRG.	25BC02JPG30A		TYPE	P	ENCL	TENV		CODE	H
			POWER FACTOR			NEMA-NOM-EFF			
			MAX CORR KVAR			GUARANTEED EFFICIENCY			
					NEMA NOM/CSA QUOTED EFF @			100% LOAD	
SER.NO.					MOTOR WEIGHT	270	LBS.		
	*15 MIN IN AIR ;SUB.IN								
	WATER/SEWAGE ONLY ;FINAL CONN								
	460 VOLT;; P18G2704F								

Parts List		
Part Number	Description	Quantity
SA297476	SA P18G2704	1.000 EA
RA284445	RA P18G2704	1.000 EA
000613007AC	UL NAMEPLATE FOR HAZARDOUS LOCATIONS	1.000 EA
000613007MN	NP,MEDIUM AC,NO CERT,STD INDUSTRIAL	1.000 EA
000613007MR	NP, MEDIUM AC, CSA, STD INDUSTRIAL	1.000 EA
000692000EJ	NAME PLATE	1.000 EA
000901001AA	LABEL WARNING	1.000 EA
001575000A	WIRING DIAGRAM	1.000 EA
424476003WB	WIRING DIAGRAM MEDIUMA	1.000 EA
034692002AE	HCSPP 1/4" 304 S.S.	1.000 EA
004824015A	GREASE POLYREX EM	0.100 LB
032018010CG	HHCS 3/8-16X1-1/4L 316SS	4.000 EA
032130008CC	SHS 3/8-16 X 1.00" L	4.000 EA
032620020JD	HSSS 10-24X5/8L 304S.S.	1.000 EA
034692003AE	PPLG 3/8" 304 S.S.	2.000 EA
047174005B	SNAP RING	1.000 EA
047174005C	SNAP RING	1.000 EA
064262012B	SEAL	1.000 EA
064262012C	SEAL	1.000 EA
088204001AA	BRKT,DE,180SUB 88204-1WA	1.000 EA
088205001AA	SUB PLT 180 88205-1WC	1.000 EA
413412004A	SUBM MOISTURE PROBE	2.000 EA
413412005R	LEAD WIRE ASSY(BLANKET	1.000 EA
413480001R	RESISTOR ASSEMBLY-BLANKET	1.000 EA

Parts List (continued)		
Part Number	Description	Quantity
421900124FU	ORING	1.000 EA
421900124FU	ORING	1.000 EA
603760001AA	LABYRINTH	1.000 EA
032018006BM	HHCS 5/16-18X3/4 PLTGRN.	1.000 EA
032018006BM	HHCS 5/16-18X3/4 PLTGRN.	1.000 EA
032018008BG	HHCS 5/16-18X1 BRASS-447	4.000 EA
032080003JB	HWHMS 10-24X3/8L PLTED	4.000 EA
032080003LB	HWHMS 1/4-20X3/8L PLTED	6.000 EA
034036013AB	LCKW 5/16 EXT.TOOTH LCKW	1.000 EA
047024003AH	T/LUG AMP 34112	4.000 EA
047024003B	T/LUG AMP 33218	9.000 EA
415031017A	NUT W/WASHER 10-24 C.PLT	4.000 EA
415031017B	NUT W/WASHER1/4-20 C.P	6.000 EA
421900072FU	ORING	1.000 EA
609181014D	HEAT SHRINK TUBING 3/4	10.000 EA
700385014G	CAP AND CABLE ASSY 25FT	1.000 EA
004824007K	SPECIAL PAINT	0.100 EA
033775004EA	DRSCR #6-1/4 304 S.S.	4.000 EA
034180009DD	KEY 1/4X1/4X1-1/8L	1.000 EA
088203001AB	BRKT,ODE,180SUB 88203-1WB	1.000 EA
421900124FU	ORING	1.000 EA
004824018AF	SHELL ROTELLA OIL 10W	1.500 LB
032018006AG	HHCS 1/4-20X3/4L 316 SS	3.000 EA
032018010CG	HHCS 3/8-16X1-1/4L 316SS	4.000 EA

000901001AA	LABEL WARNING	1.000 EA
B3630-9	SUBM THERMOSTAT TAG	1.000 EA
B-3664002	TAG, (NON REGREASABLE)	1.000 EA

REL. S.O.	FRAME	HP	TYPE	PHASE/HERTZ	RPM	VOLTS
	180TY	7.5	P	3/60	1730	230/460
AMPS	DUTY	AMB °C/ INSUL.	S.F.	NEMA DESIGN	CODE LETTER	ENCL.
20.2/10.1	*	40/F	1.15	B	H	SUB
E/S	ROTOR	TEST S.O.	TEST DATE	STATOR RES. @25 °C OHMS (BETWEEN LINES)		
535642	418424037YE	---	---	.533/2.13		

PERFORMANCE


LOAD	HP	AMPERES	RPM	INPUT KW	POWER FACTOR	% EFFICIENCY
NO LOAD	0	3.9	1800	.523	16.8	0
1/4	1.88	4.6	1783	1.96	53.1	71.5
2/4	3.75	6.0	1768	3.47	72.1	80.7
3/4	5.63	7.9	1751	5.07	80.1	82.9
4/4	7.50	10.1	1732	6.76	83.9	82.7
5/4	9.37	12.6	1709	8.59	85.9	81.4

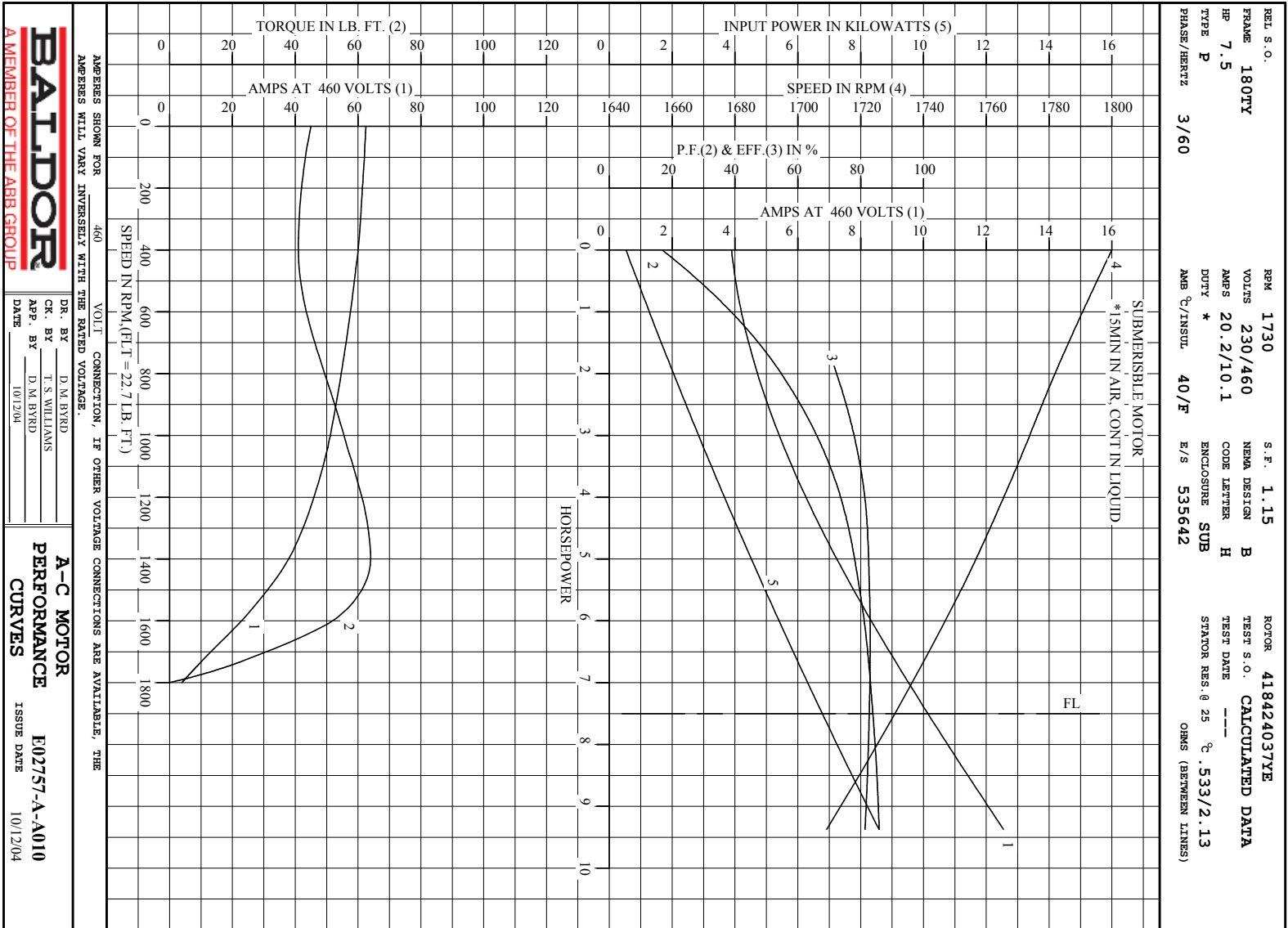
SPEED TORQUE

	RPM	TORQUE % FULL LOAD	TORQUE LB.-FT.	AMPERES
LOCKED ROTOR	0	198	45.0	62.5
PULL UP	400	180	41.0	60.0
BREAKDOWN	1400	281	64.0	37.9
FULL LOAD	1732	100	22.7	10.1

AMPERES SHOWN FOR 460. VOLT CONNECTION. IF OTHER VOLTAGE CONNECTIONS ARE AVAILABLE, THE AMPERES WILL VARY INVERSELY WITH THE RATED VOLTAGE

REMARKS: CALCULATED DATA
SUBMERISBLE MOTOR
*15MIN IN AIR, CONT IN LIQUID

 <p>A MEMBER OF THE ABB GROUP</p>	DR. BY	D. M. BYRD	<p>A-C MOTOR PERFORMANCE DATA</p>
	CR. BY	T. S. WILLIAMS	
	APP. BY	D. M. BYRD	E02757-A-A010
	DATE	10/12/04	ISSUE DATE 10/12/04



AMPS SHOWN FOR 460 VOLT CONNECTION, IF OTHER VOLTAGE CONNECTIONS ARE AVAILABLE, THE AMPS WILL VARY INVERSELY WITH THE RATED VOLTAGE.

BALDOR
A MEMBER OF THE ABB GROUP

DR. BY D.M. BYRD
CK. BY T.S. WILLIAMS
APP. BY D.M. BYRD
DATE 10/12/04

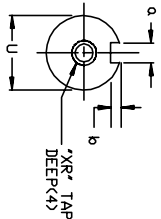
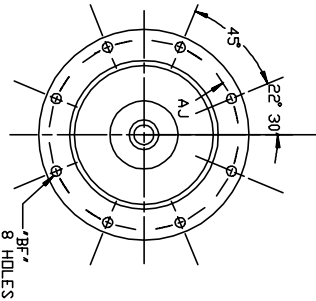
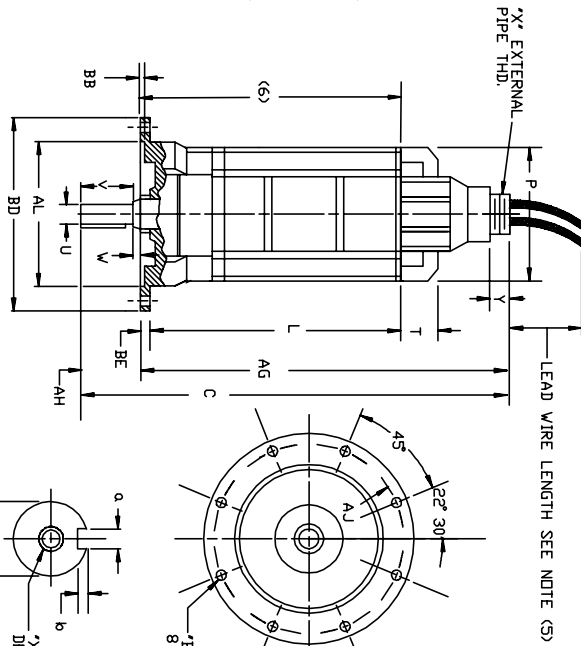
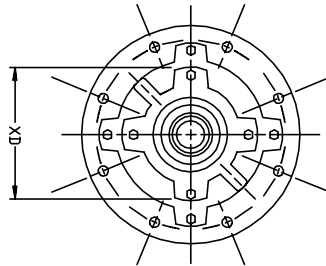
A-C MOTOR
PERFORMANCE
CURVES

E02757-A-A010
ISSUE DATE 10/12/04

066930-017

DUTY MASTER ALTERNATING CURRENT MOTORS
 SQUIREL-CAGE INDUCTION
 ENCLOSURE: TOTALLY ENCLOSED
 SUBMERSIBLE
 FRAME 140TY THRU 180TY

066930-017



DIMENSIONS ARE IN INCHES SEE SHEET 2 FOR MILLIMETERS

FRAME	C	L	P	T	U(3)	V	W	AG	AH	AJ	AL(7)
140TY	25.44	15.38	8.00	2.25	.8750	1.25	.31	23.88	1.59	10.00	9.125
180TY	26.66	16.56	9.62	2.25	1.2500	2.00	.28	24.38	2.28	11.50	10.625

FRAME	BD(2)	BE	BF	XR(4)	LEAD CONNECTION			B.E. KEYWAY		LENGTH	WEIGHT	
					X	Y	XD	a	b			
140TY	11.062	.75	.44	3/8-16	2-1/2-8	1.25	5.50	.12	.187	.09	1.25	1.60
180TY	12.375	.75	.56	1/2-13	2-1/2-8	1.25	6.75	.12	.250	.12	1.12	2.00

- (1) SPECIAL DIMENSIONS ON THIS LINE.
 - (2) *BD* VARIES ± .010.
 - (3) *U* VARIES +.0000, -.0005.
 - (4) TAP DEPTH DN 140TY IS .89 180TY IS 1.38
 - (5) LEAD WIRE LENGTH AS SPECIFIED ON CERTIFICATION
 - (6) MINIMUM SUBMERGED DEPTH
 - (7) *AL* VARIES +.004, -.000.
- FACE ROUNDT AND ECCENTRICITY .008 MAX. T.I.R.
 PROTECTIVE CONDUIT FURNISHED BY CUSTOMER.

CUSTOMER IS RESPONSIBLE FOR DETERMINING THAT BALDOR'S PRODUCT WILL PERFORM SUITABLY IN THE INTENDED APPLICATION.

REV. DESC: CHANGE L DIM FROM 16.50 TO 16.56 (SH1)		
REV. LTR: A	VERSION: 01	TDR: 000000837009
FILE: \RGG\00016\668	REVISED: 09:10:21 01/30/2014	BY: RGGWT
MTL: -		

BALDOR

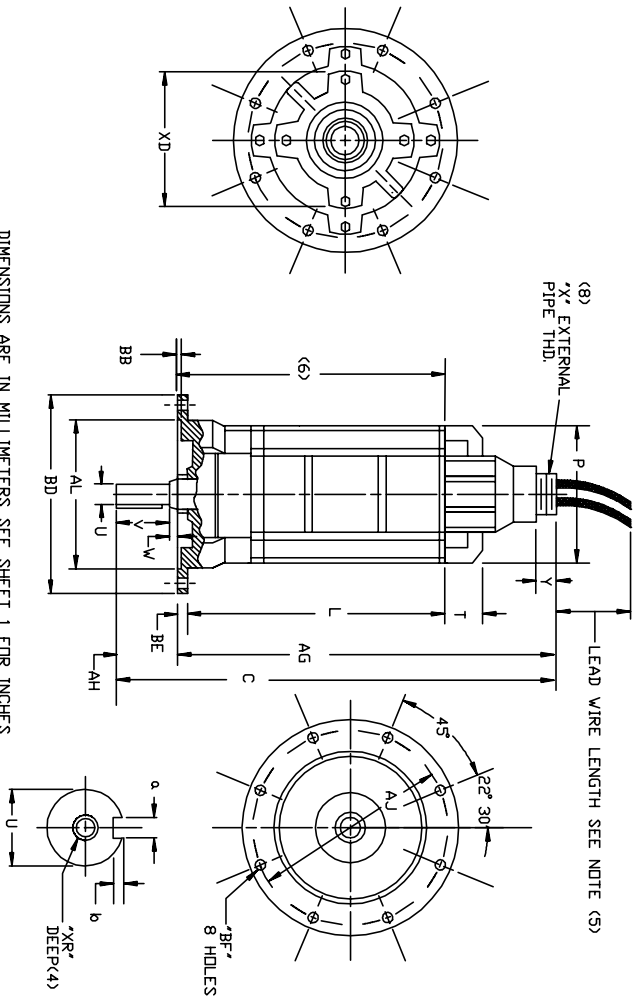
DIM SHT 140TY THRU 180TY

SH 1 of 2

066930-017

DUTY MASTER ALTERNATING CURRENT MOTORS
 SQUARE-LEAD INDUCTION
 ENCLOSURE: TOTALLY ENCLOSED
 SUBVERSIBLE
 FRAME 140TY THRU 180TY

066930-017



DIMENSIONS ARE IN MILLIMETERS SEE SHEET 1 FOR INCHES

FRAME	C	L	P	T	U(3)	V	W	AG	AH	AJ	AL(7)
140TY	646.2	390.7	203.2	57.1	22.25	31.7	7.9	60.6	40.4	25.40	231.77
180TY	677.2	419.1	244.3	57.1	31.750	50.8	7.1	61.93	57.9	29.21	269.88

FRAME	BX(2)	BF	BF	XR(4) (8)	LEAD CONNECTION			BB	KEYWAY			KG
					Y	X(8)	Y		a	b	WEIGHT	
140TY	280.97	19.0	11.2	3/8-16	2-1/2-8	31.7	139.7	3.0	4.75	2.3	72.7	
180TY	314.32	19.0	14.2	1/2-13	2-1/2-8	31.7	171.5	3.0	6.35	3.0	90.9	

(1) SPECIAL DIMENSIONS ON THIS LINE.

(2) 'BD' VARIES ± .25

(3) 'U' VARIES +.000 - .013

(4) TAP DEPTH DN 140TY IS 22.3 MM; 180TY IS 35 MM.

(5) LEAD WIRE LENGTH AS SPECIFIED ON CERTIFICATION

(6) MINIMUM SUBMERGED DEPTH.

(7) 'AL' VARIES +.10, -.000.

(8) THREAD DIMENSIONS IN INCHES
 FACE ROUNDT AND ECCENTRICITY .20 MAX. T.I.R.
 PROTECTIVE CONDUIT FURNISHED BY CUSTOMER

CUSTOMER IS RESPONSIBLE FOR DETERMINING THAT BALDOR'S PRODUCT WILL PERFORM SUITABLY IN THE INTENDED APPLICATION.

REV. DESC: CHANGE L DIM FROM 16.50 TO 16.56 (SH1)			<p>BALDOR</p> <p>DIM SHT 140TY THRU 180TY</p> <p>SH 2 of 2</p>
REV. LTR: A	VERSION: 01	TDR: 000000837009	
FILE: \RGG\00016\668	REVISED: 09:10:21 01/30/2014	BY: RGGWT	
MTL: -			