

# **BALDOR® • RELIANCE**

## **Product Information Packet**

# **VEM7042T**

**3//2HP,1760//1460RPM,3PH,60//50HZ,182TC**

Part Detail							
Revision:	D	Status:	PRD/A	Change #:		Proprietary:	No
Type:	AC	Prod. Type:	3632M	Elec. Spec:	36WGS266	CD Diagram:	CD0005
Enclosure:	XPFC	Mfg Plant:		Mech. Spec:	36N024	Layout:	36LYN024
Frame:	182TC	Mounting:	F1	Poles:	04	Created Date:	09-30-2015
Base:	N	Rotation:	R	Insulation:	B	Eff. Date:	04-08-2016
Leads:	9#16					Replaced By:	
Literature:		Elec. Diagram:					

Nameplate NP1426XPSLEV	
NO.	<input type="text"/> CC <input type="text"/> 010A
SER.	<input type="text"/>
SPEC.	36N024S266G3
CAT.NO.	VEM7042T
HP	3//2 T. CODE <input type="text"/> T3C
VOLTS	230/460//190/380
AMPS	8.4/4.2//7.2/3.6
RPM	1760//1460
HZ	60//50 PH <input type="text"/> 3 CL <input type="text"/> B
SER.F.	1.00 DES <input type="text"/> B CODE <input type="text"/> K
RATING	40C AMB-CONT
FRAME	182TC NEMA-NOM-EFF <input type="text"/> 89.5
USABLE AT 208V	9 PF <input type="text"/> 75
BLANK	<input type="text"/>

Parts List		
Part Number	Description	Quantity
SA308540	SA 36N024S266G3	1.000 EA
RA295872	RA 36N024S266G3	1.000 EA
36FN3000C01	EXFN, PLASTIC, 5.25 OD, .912 ID	1.000 EA
35CB3001A02SP	EXPL PROOF CONDUIT BOX, 3/4"PIPE TAP LEA	1.000 EA
11XW1032G06	10-32 X .38, TAPTITE II, HEX WSHR SLTD U	1.000 EA
HW3001B01	BRASS CUP WASHER, FOR #8 SCREW	1.000 EA
36EP3700A01	FR ENDPLATE, MACH	1.000 EA
HW4500A19	1/4-28X1/4 SLOTTED PLUG F/S	2.000 EA
HW5100A05	WVY WSHR F/205 & 304 BRGS	1.000 EA
36EP1703A01	PU ENDPLATE, MACH	1.000 EA
51XN1032A20	10-32 X 1 1/4 HX WS SL SR	2.000 EA
HW4001A01	1/4 HX SOC PIPE PLG (F/S) ALLOY STEEL W/	2.000 EA
60XN1032A07	10-32 X 1/2 TRUSS HEAD, TORX SERRATED ZN	2.000 EA
36FH4009A02	FAN COVER FOR VM7042T,PRIMER	1.000 EA
51XW1032A06	10-32 X .38, TAPTITE II, HEX WSHR SLTD S	3.000 EA
35CB3500A01SP	CONDUIT BOX LID, MACH	1.000 EA
51XN2520A16	SCREW, HEX WS SLT, ZN, 1/4-20 X 1.00	4.000 EA
HW2501E16	3KEY, 1/4 SQ X 1.750	1.000 EA
HA7000A02	KEY RETAINER RING, 1 1/8 DIA, 1 3/8 DIA	1.000 EA
85XU0407S04	4X1/4 U DRIVE PIN STAINLESS	6.000 EA
NP0018F	ALUM UL XP CONDUIT BOX NAMEPLATE	1.000 EA
MJ1000A02	GREASE, POLYREX EM EXXON (USe 4824-15A)	0.050 LB
51XB1214A16	12-14X1.00 HXWSSLD SERTYB	1.000 EA
MG1025G29	WILKOFAS, 789.229, DARK CHARCOAL GRAY	0.022 GA

<b>Parts List (continued)</b>		
<b>Part Number</b>	<b>Description</b>	<b>Quantity</b>
HA3105A06	THRUBOLT- 3/8-16 X 10.500 X	4.000 EA
LB1119N	WARNING LABEL	1.000 EA
LC0145B01	CONNECTION LABEL	1.000 EA
NP1426XPSLEV	SS XP UL CSA-EEV CC CL-I GP-D	1.000 EA
G0PA1000	PKG GRP, PRINT PK1026A06	1.000 EA
PK3082	STYROFOAM CRADLE	1.000 EA
MN416A01	TAG-INSTAL-MAINT no wire (1200/bx) 11/14	1.000 EA

**AC Induction Motor Performance Data**

Record # 35725 - Typical performance - not guaranteed values

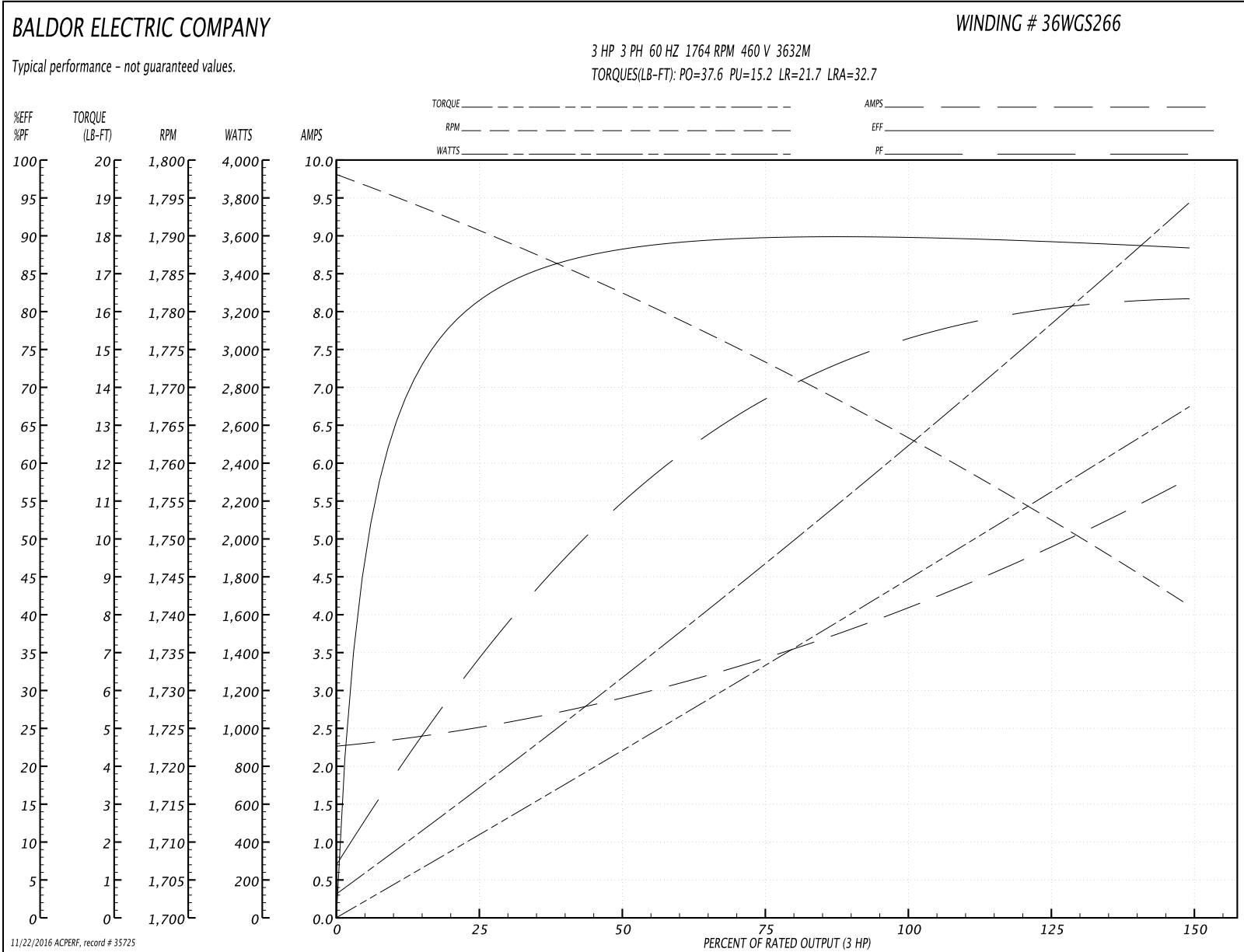
<b>Winding:</b> 36WGS266-R003	<b>Type:</b> 3632M	<b>Enclosure:</b> XPFC
-------------------------------	--------------------	------------------------

Nameplate Data				460 V, 60 Hz: High Voltage Connection	
Rated Output (HP)	3//2			Full Load Torque	8.8 LB-FT
Volts	230/460//190/380			Start Configuration	direct on line
Full Load Amps	8.4/4.2//7.2/3.6			Breakdown Torque	37.6 LB-FT
R.P.M.	1760//1460			Pull-up Torque	15.2 LB-FT
Hz	60//50	Phase	3	Locked-rotor Torque	21.7 LB-FT
NEMA Design Code	B	KVA Code	K	Starting Current	32.7 A
Service Factor (S.F.)	1			No-load Current	2.3 A
NEMA Nom. Eff.	89.5	Power Factor	75	Line-line Res. @ 25°C	3.81 Ω
Rating - Duty	40C AMB-CONT			Temp. Rise @ Rated Load	44°C
				Locked-rotor Power Factor	42.2
				Rotor inertia	0.3 LB-FT <sup>2</sup>

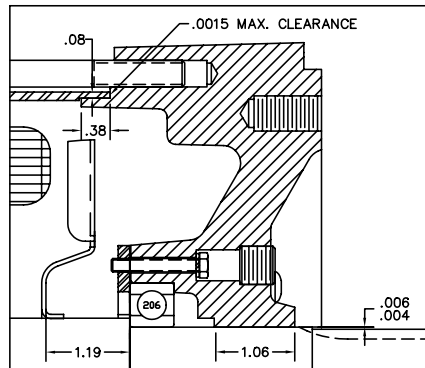
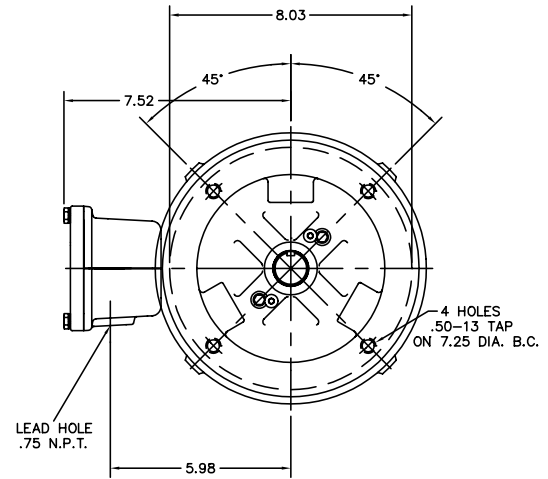
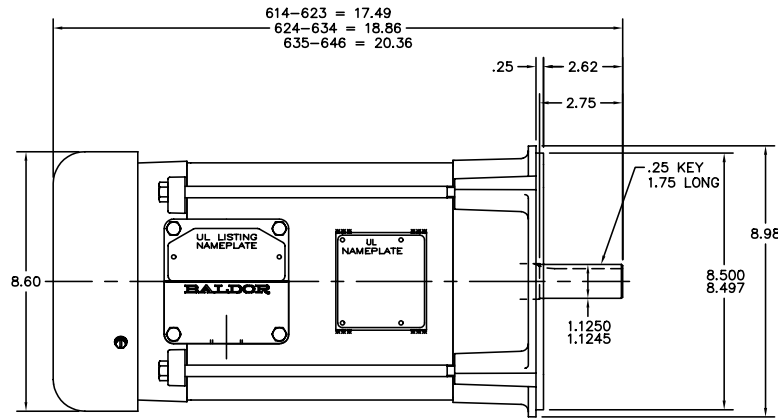
Load Characteristics 460 V, 60 Hz, 3 HP

% of Rated Load	25	50	75	100	125	150
Power Factor	35	55	68	75	80	82
Efficiency	81.1	87.8	89.6	89.8	89.7	88.2
Speed	1791	1783	1773	1764	1753	1741
Line amperes	2.47	2.85	3.43	4.09	4.89	5.78

Performance Graph at 460V, 60Hz, 3.0HP Typical performance - Not guaranteed values



36L YN024



PULLEY END DETAIL

UL CLASS I - GROUP D - CLASS II - GROUPS F & G

CUST. NAME	CUST. P.O.	CERTIFIED BY	MODEL	INSUL	AMB	
H.P.	MTG	TYPE	R.P.M.	VOLTS	ENCL	
PHASE	FREQ	FRAME				
REV. DESC: CHG'D FH TO 36FH4009A02			<b>BALDOR ELECTRIC Co.</b>			
REV. LTR: H	BY: JED	REVISED: 06/03/99 2:23				TDR: 0183318
FILE: AAA00004734						MDL: -
MTL: -						
VERT 182-4TC XPFC 36M CL I-GP D, CL II GP F&G, W/T'ST						

36L YN024

CD0005



LOW VOLTAGE  
(2Y)



LINE

HIGH VOLTAGE  
(1Y)



LINE

NOTES:

1. INTERCHANGE ANY TWO LINE LEADS TO REVERSE ROTATION.
2. OPTIONAL THERMOSTATS ARE PROVIDED WHEN SPECIFIED.
3. ACTUAL NUMBER OF INTERNAL PARALLEL CIRCUITS MAY BE A MULTIPLE OF THOSE SHOWN ABOVE.
4. LEAD COLORS ARE OPTIONAL. LEADS MUST ALWAYS BE NUMBERED AS SHOWN.

REV. DESC: REVISE TO SHOW OPTIONAL COLORS			
REV. LTR: E	BY: JLP	REVISED: 01/19/99 10:15	TDR: 0171435
90000		FILE: AAA00005140	MDL: -
		MTL: -	

**BALDOR ELECTRIC Co.**

3PH, DV, 9 LEADS

CD0005