

BALDOR® • **RELIANCE**

Product Information Packet

VL1406T

3HP,3450RPM,1PH,60HZ,182TC,3532LC,ODTF

Part Detail							
Revision:	R	Status:	PRD/A	Change #:		Proprietary:	No
Type:	AC	Prod. Type:	3532LC	Elec. Spec:	35WGZ508	CD Diagram:	CD0055
Enclosure:	ODTF	Mfg Plant:		Mech. Spec:	35U226	Layout:	35LYU226
Frame:	182TC	Mounting:	F1	Poles:	02	Created Date:	06-22-2007
Base:	N	Rotation:	R	Insulation:	B	Eff. Date:	08-26-2015
Leads:	4#14 A PH,2#18 B PH					Replaced By:	
Literature:		Elec. Diagram:					

Nameplate NP1256L										
CAT.NO.	VL1406T									
SPEC.	35U226Z508									
HP	3									
VOLTS	115/230									
AMP	27.2/13.6									
RPM	3450									
FRAME	182TC				HZ	60			PH	1
SER.F.	1.15		CODE	H	DES	L		CLASS	B	
NEMA-NOM-EFF	75.5		PF	92						
RATING	40C AMB-CONT									
CC								USABLE AT 208V	14.7	
DE	6206				ODE	6203				
ENCL	ODTF		SN							

Parts List		
Part Number	Description	Quantity
SA112629	SA 35U226Z508	1.000 EA
RA103883	RA 35U226Z508	1.000 EA
OC3040F09SP	CYL OIL CAP 40MFD/370V	1.000 EA
EC1815A06SP	ELEC CAP 115V 2.0 X 4.3	1.000 EA
NS2512A01	INSULATOR, CONDUIT BOX X	1.000 EA
35CB3009	35 CB W/1.09 DIA. LEAD HOLE @ 6:	1.000 EA
51XB1016A07	10-16 X 7/16 HXWSSLD SERTYB	2.000 EA
11XW1032G06	10-32 X .38, TAPTITE II, HEX WSHR SLTD U	1.000 EA
35EP3201A02	FR ENDPLATE, MACH	1.000 EA
HW4500A01	1641B(ALEMITE)400 UNIV, GREASE FITT	1.000 EA
51XW0832A07	8-32 X .44, TAPTITE II, HEX WSHR SLTD SE	2.000 EA
35CB3801	CAPACITOR COVER, CAST	1.000 EA
HA7010	CAPACITOR RETENTION CLAMP	1.000 EA
NS2501A02	INSULATOR, CAPACITOR BOX	1.000 EA
51XB1016A08	10-16X 1/2HXWSSLD SERTYB	2.000 EA
HW5100A03SP	WAVY WASHER (W1543-017)	1.000 EA
35EP1409A01	PU ENDPLATE, MACH	1.000 EA
35AD2001	AIR BAFFLE	1.000 EA
60XW0632A06	6-32 X 3/8 TORX HEAD SCREW TAPTITE II	4.000 EA
HW4500A01	1641B(ALEMITE)400 UNIV, GREASE FITT	1.000 EA
10XN2520A24	1/4-20X 1 1/2 HEX HD X	4.000 EA
HW1001A25	LOCKWASHER 1/4, ZINC PLT .493 OD, .255 I	4.000 EA
35FN3002A05	EXFN, PLASTIC, 6.376 OD, .638 ID	1.000 EA
51XB1214A16	12-14X1.00 HXWSSLD SERTYB	1.000 EA

Parts List (continued)		
Part Number	Description	Quantity
35FH4006A04	DRIP COVER SPECIAL, W/ PRIMER	1.000 EA
51XW1032A06	10-32 X .38, TAPTITE II, HEX WSHR SLTD S	3.000 EA
35CB4521	35 LIPPED CB LID (GALV & PHOSPH)	1.000 EA
51XW0832A07	8-32 X .44, TAPTITE II, HEX WSHR SLTD SE	4.000 EA
HW2501E16	3KEY, 1/4 SQ X 1.750	1.000 EA
HA7000A02	KEY RETAINER RING, 1 1/8 DIA, 1 3/8 DIA	1.000 EA
85XU0407S04	4X1/4 U DRIVE PIN STAINLESS	2.000 EA
WD1000A15	3-520132-2 AMP FLAG (4M/RL NON-CANC/NON-	4.000 EA
MJ1000A02	GREASE, POLYREX EM EXXON (USe 4824-15A)	0.050 LB
MG1000G27	MED CHARCOAL METALLIC GREY 400-0096	0.017 GA
HA3100A18	THRUBOLT 10-32 X 9.250	4.000 EA
SP5181A28	MODEL 35 LC TORQ STAT SWITCH LEAD ASSY	1.000 EA
LC0001A01	CONN LABEL / WARNING LABEL (LC0001 / LB1	1.000 EA
NP1256L	ALUM UL CSA CC	1.000 EA
36PA1000	PKG GRP, PRINT PK1016A06	1.000 EA
PK3082	STYROFOAM CRADLE	1.000 EA

Accessories		
Part Number	Description	Multiplier
35-1409	C FACE KIT	A8

AC Induction Motor Performance Data

Record # 15705 - Typical performance - not guaranteed values

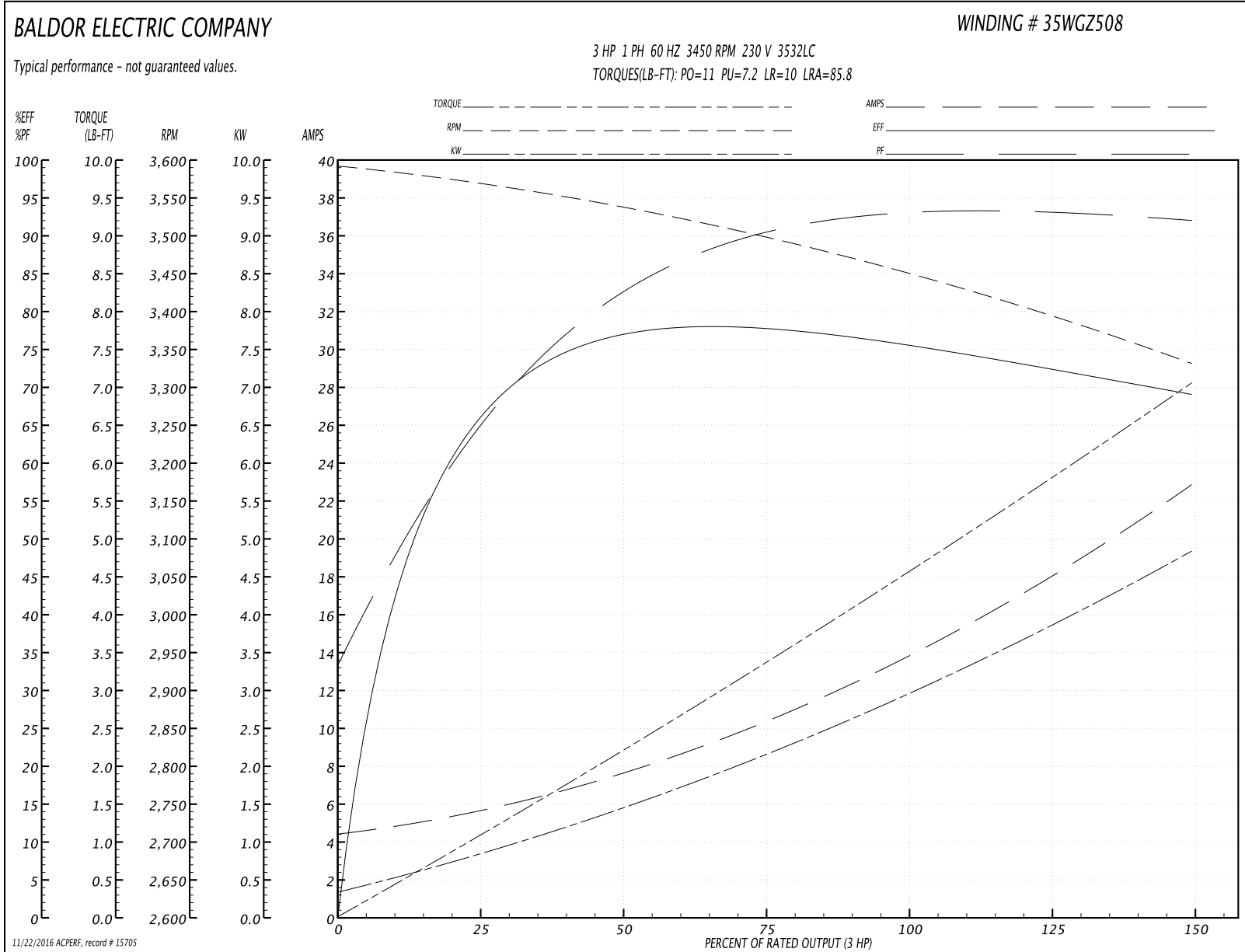
Winding: 35WGZ508-R001	Type: 3532LC	Enclosure: ODTF
-------------------------------	---------------------	------------------------

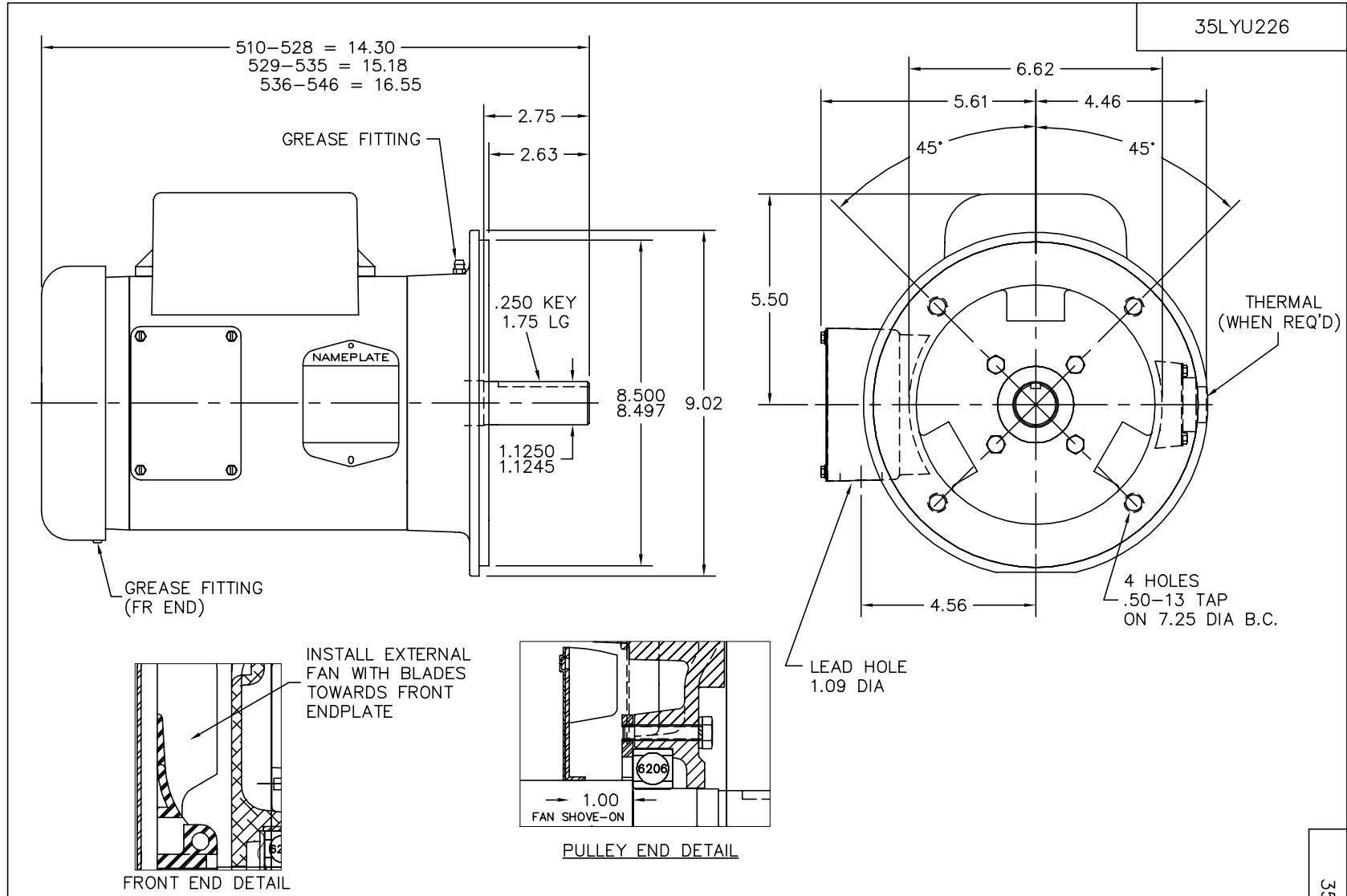
Nameplate Data				230 V, 60 Hz: High Voltage Connection	
Rated Output (HP)	3			Full Load Torque	4.5 LB-FT
Volts	115/230			Start Configuration	direct on line
Full Load Amps	27.2/13.6			Breakdown Torque	11 LB-FT
R.P.M.	3450			Pull-up Torque	7.2 LB-FT
Hz	60	Phase	1	Locked-rotor Torque	10 LB-FT
NEMA Design Code	L	KVA Code	H	Starting Current	85.8 A
Service Factor (S.F.)	1.15			No-load Current	4.42 A
NEMA Nom. Eff.	75.5	Power Factor	92	Line-line Res. @ 25°C	0.812 Ω A Ph 1.04 Ω B Ph
Rating - Duty	40C AMB-CONT			Temp. Rise @ Rated Load	40°C
S.F. Amps				Temp. Rise @ S.F. Load	51°C

Load Characteristics 230 V, 60 Hz, 3 HP

% of Rated Load	25	50	75	100	125	150	S.F.
Power Factor	67	83	89	92	93	93	93
Efficiency	62.1	74.3	77.4	76.6	73.4	68.4	74.7
Speed	3564	3534	3500	3458	3405	3324	3426
Line amperes	5.47	7.62	10.3	13.6	17.7	23	16.1

Performance Graph at 230V, 60Hz, 3.0HP Typical performance - Not guaranteed values





35LYU226

35LYU226

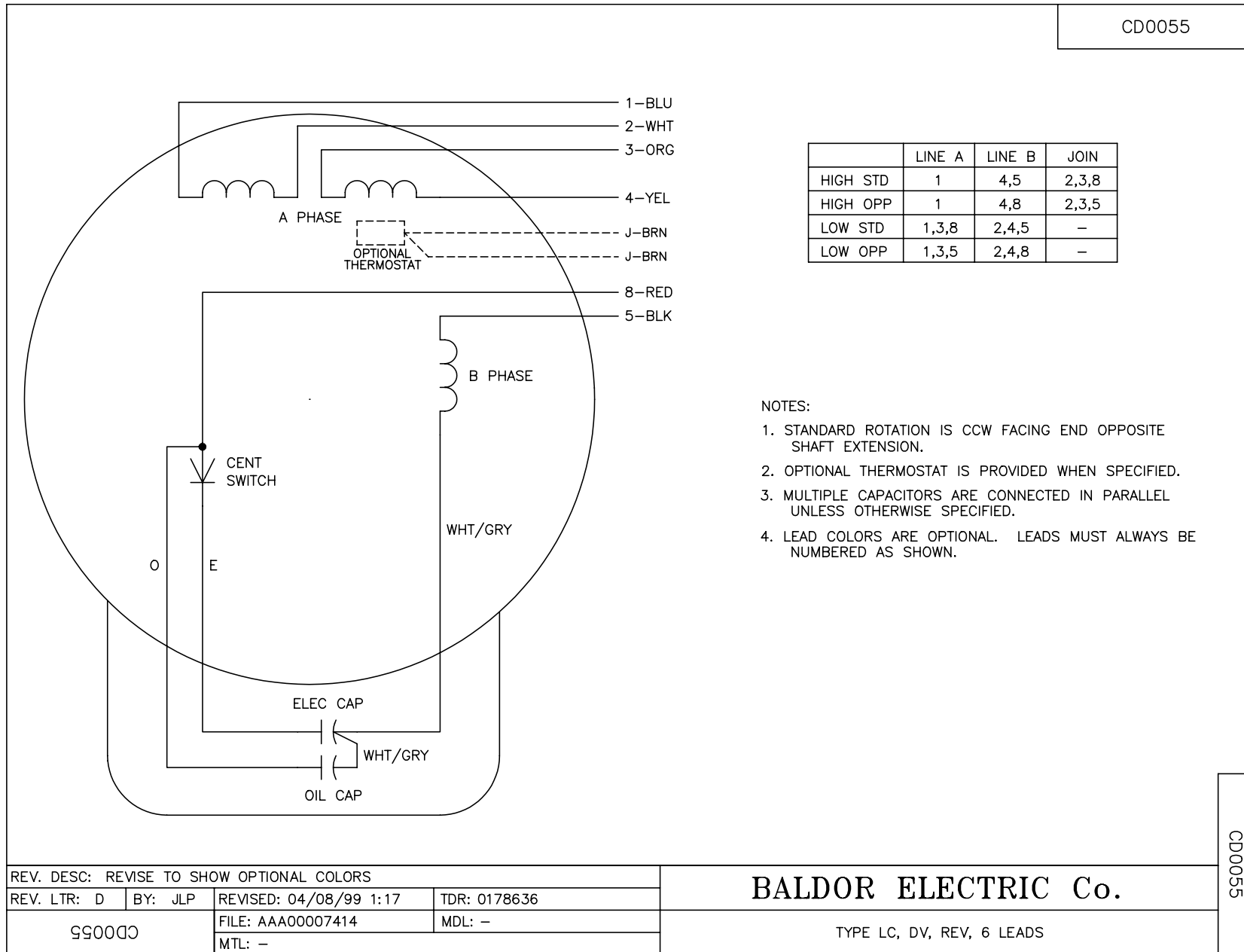
CUSTOMER IS RESPONSIBLE FOR DETERMINING THAT MOTOR PERFORMANCE IS SUITABLE IN THE APPLICATION.

REV. DESC: ADDED TANDEM FAN VIEWPORT			
REV. LTR: A	VERSION: 01	TDR: 000000447083	
9ZZU226	FILE: \AAA\00114\739	REVISED: 09:32:09 12/03/2007	
	MTL: -	BY: ENJACJO	

BALDOR • DODGE • RELIANCE

VERT 182-4TC ODTF 35LC W/ DRIP COVER

CD0055



REV. DESC: REVISE TO SHOW OPTIONAL COLORS			
REV. LTR: D	BY: JLP	REVISED: 04/08/99 1:17	TDR: 0178636
990000		FILE: AAA00007414	MDL: -
		MTL: -	

BALDOR ELECTRIC Co.

TYPE LC, DV, REV, 6 LEADS

CD0055