

BALDOR® • ***RELIANCE***

Product Information Packet

VM7010A

.75HP, 1725RPM, 3PH, 60HZ, 56C, X3420M, XPFC

| Part Detail | | | | | | | |
|-------------|-------|----------------|-------|-------------|----------|---------------|------------|
| Revision: | AE | Status: | PRD/A | Change #: | | Proprietary: | No |
| Type: | AC | Prod. Type: | 3420M | Elec. Spec: | 34WG5721 | CD Diagram: | CD0007 |
| Enclosure: | XPFC | Mfg Plant: | | Mech. Spec: | 34-5336 | Layout: | 34LY5336 |
| Frame: | 56C | Mounting: | F1 | Poles: | 04 | Created Date: | |
| Base: | N | Rotation: | R | Insulation: | B | Eff. Date: | 03-15-2016 |
| Leads: | 12#18 | | | | | Replaced By: | |
| Literature: | | Elec. Diagram: | | | | | |

| Nameplate NP0016XPSL | |
|----------------------|----------------------|
| NO. | <input type="text"/> |
| SER. | <input type="text"/> |
| SPEC. | 34-5336-5721 |
| CAT.NO. | VM7010A |
| HP | .75 |
| VOLTS | 208-230/460 |
| AMPS | 3.2-3/1.5 |
| RPM | 1725 |
| HZ | 60 |
| SER.F. | 1.00 |
| RATING | 40C AMB-CONT |
| FRAME | 56C |
| USABLE AT 208V | 3.2 |
| BLANK | <input type="text"/> |

| | |
|--------------|----------------------|
| CC | <input type="text"/> |
| T. CODE | T3C |
| PH | 3 |
| CL | B |
| DES | B |
| CODE | K |
| NEMA-NOM-EFF | 73 |
| PF | 58 |

| Parts List | | |
|---------------|--|----------|
| Part Number | Description | Quantity |
| SA009028 | SA 34-5336-5721 | 1.000 EA |
| RA005475 | RA 34-5336-5721 | 1.000 EA |
| TPMYJ64KL | THERMAL 3PH .75 AUT 105C X | 1.000 EA |
| MJ5000A09 | EFI KIT #1578 (400 ML CARTRIDGE OF EFI) | 0.050 EA |
| 35CB3001A01SP | EXPL CONDUIT BOX, MACH, 1/2" PIPE TAP LE | 1.000 EA |
| 11XW1032G06 | 10-32 X .38, TAPTITE II, HEX WSHR SLTD U | 1.000 EA |
| HW3001B01 | BRASS CUP WASHER, FOR #8 SCREW | 1.000 EA |
| 34EP3703A01 | FR ENDPLATE, MACH XP | 1.000 EA |
| 51XW0832A07 | 8-32 X .44, TAPTITE II, HEX WSHR SLTD SE | 2.000 EA |
| HW4002A02 | 1-11.5X2LG PIPE NIPPLE (F/S) | 1.000 EA |
| HA1025A13 | WSHR,FELT,.38" THICK F-26 CLASS | 1.000 EA |
| HW3021E06 | 1/8 DIA X 5/8 ROLLPIN (F/S) | 1.000 EA |
| HW5100A03SP | WAVY WASHER (W1543-017) | 1.000 EA |
| 34EP3705A01SP | PU ENDPLATE, MACH | 1.000 EA |
| 34FN3002A01SP | EXTERNAL FAN, PLASTIC, .637/.639 HUB W/ | 1.000 EA |
| 34FH4002A01SP | IEC FH NO GREASER PRIMED | 1.000 EA |
| 51XW1032A06 | 10-32 X .38, TAPTITE II, HEX WSHR SLTD S | 3.000 EA |
| 35CB3500A01SP | CONDUIT BOX LID, MACH | 1.000 EA |
| 51XN2520A16 | SCREW, HEX WS SLT, ZN, 1/4-20 X 1.00 | 4.000 EA |
| HW2501D13 | KEY, 3/16 SQ X 1.375 | 1.000 EA |
| HA7000A04 | KEY RETAINER 0.625 DIA SHAFTS | 1.000 EA |
| NP0018W | ALUM UL XP CONDUIT BOX NAMEPLATE | 1.000 EA |
| HA6001A01 | THERMAL RETAINER (PLATED) | 1.000 EA |
| 12XF0632A06 | 6-32X3/8 TY F HEX HD SLT | 2.000 EA |

| Parts List (continued) | | |
|-------------------------------|---|-----------------|
| Part Number | Description | Quantity |
| NS2500A05 | INSULATOR, AUTO THER PROT | 1.000 EA |
| WD1000A16 | 2-520128-2 AMP FLAG TERMINAL(4M/RL) | 3.000 EA |
| MG1025G29 | WILKOFASST, 789.229, DARK CHARCOAL GRAY | 0.014 GA |
| 85XU0407S04 | 4X1/4 U DRIVE PIN STAINLESS | 6.000 EA |
| SP5037A01 | TERMINAL PLATE ASS'Y MODEL 34 - 3 PHASE | 1.000 EA |
| WD1000A16 | 2-520128-2 AMP FLAG TERMINAL(4M/RL) | 12.000 EA |
| HA3104A26 | 5/16-18 X 8.75 THRU BOLT OHIO | 4.000 EA |
| LC0007 | CONNECTION LABEL | 1.000 EA |
| LB1118 | LABEL,WARNING (ROLL LABEL) | 1.000 EA |
| NP0016XPSL | SS XP UL CSA CC CL-I GP-D CL-II GP-F&G | 1.000 EA |
| 36PA1000 | PKG GRP, PRINT PK1016A06 | 1.000 EA |
| PK3083T | STYROFOAM PACKING CRADLE W/TAPE | 1.000 EA |

AC Induction Motor Performance Data
Record # 6818 - Typical performance - not guaranteed values

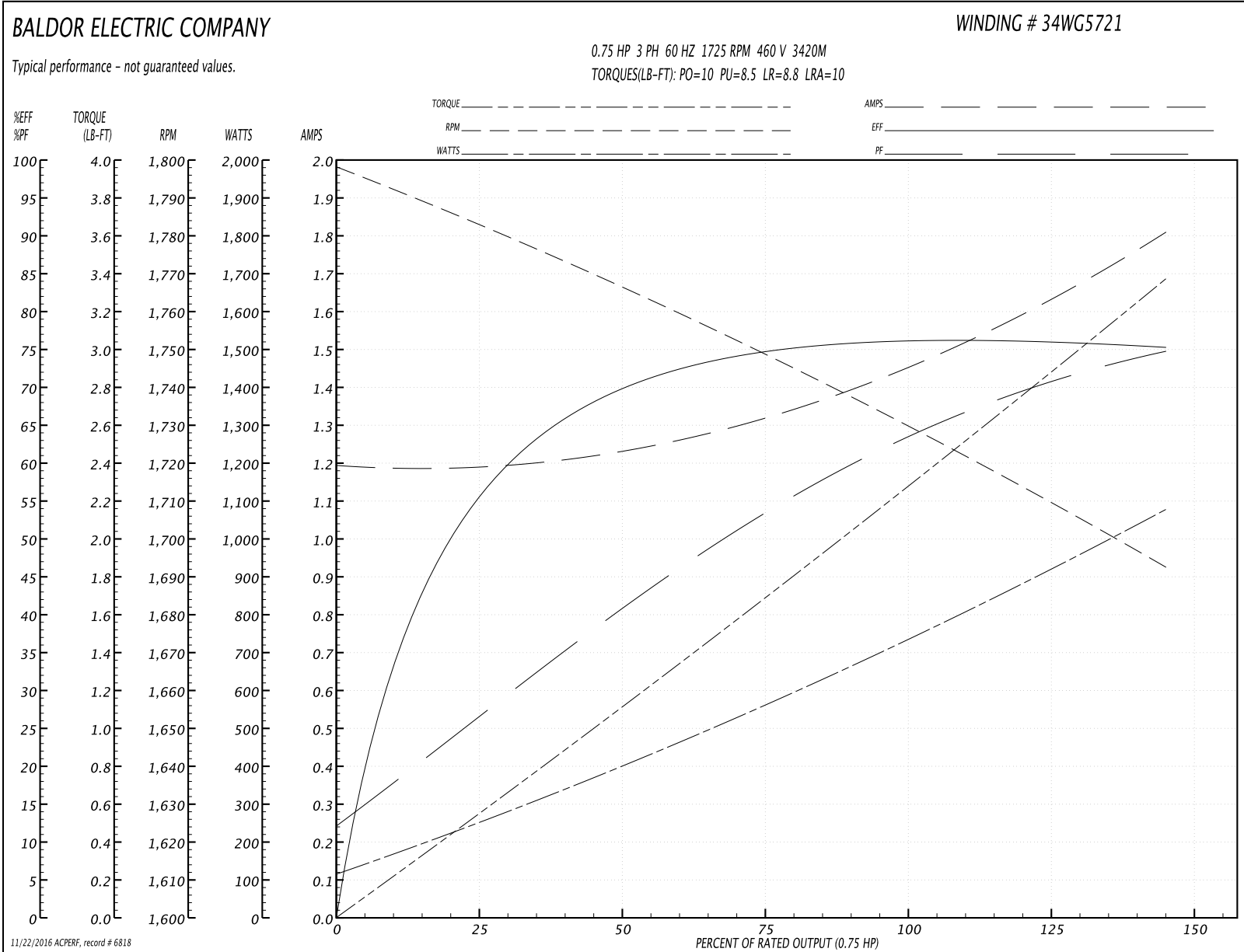
| | | |
|-------------------------------|--------------------|------------------------|
| Winding: 34WG5721-R001 | Type: 3420M | Enclosure: XPFC |
|-------------------------------|--------------------|------------------------|

| Nameplate Data | | | | 460 V, 60 Hz: High Voltage Connection | |
|-----------------------|--------------|--------------|----|--|----------------|
| Rated Output (HP) | .75 | | | Full Load Torque | 2.25 LB-FT |
| Volts | 208-230/460 | | | Start Configuration | direct on line |
| Full Load Amps | 3.2-3/1.5 | | | Breakdown Torque | 10 LB-FT |
| R.P.M. | 1725 | | | Pull-up Torque | 8.5 LB-FT |
| Hz | 60 | Phase | 3 | Locked-rotor Torque | 8.8 LB-FT |
| NEMA Design Code | B | KVA Code | K | Starting Current | 10 A |
| Service Factor (S.F.) | 1 | | | No-load Current | 1.2 A |
| NEMA Nom. Eff. | 73 | Power Factor | 58 | Line-line Res. @ 25°C | 17.7 Ω |
| Rating - Duty | 40C AMB-CONT | | | Temp. Rise @ Rated Load | 74°C |

Load Characteristics 460 V, 60 Hz, 0.75 HP

| % of Rated Load | 25 | 50 | 75 | 100 | 125 | 150 |
|-----------------|------|------|------|------|------|------|
| Power Factor | 28 | 42 | 55 | 64 | 71 | 76 |
| Efficiency | 56.1 | 69.7 | 74.7 | 76.2 | 76.1 | 75.2 |
| Speed | 1783 | 1766 | 1749 | 1731 | 1711 | 1693 |
| Line amperes | 1.2 | 1.2 | 1.3 | 1.5 | 1.6 | 1.8 |

Performance Graph at 460V, 60Hz, 0.75HP Typical performance - Not guaranteed values



AC Induction Motor Performance Data
Record # 52509 - Typical performance - not guaranteed values

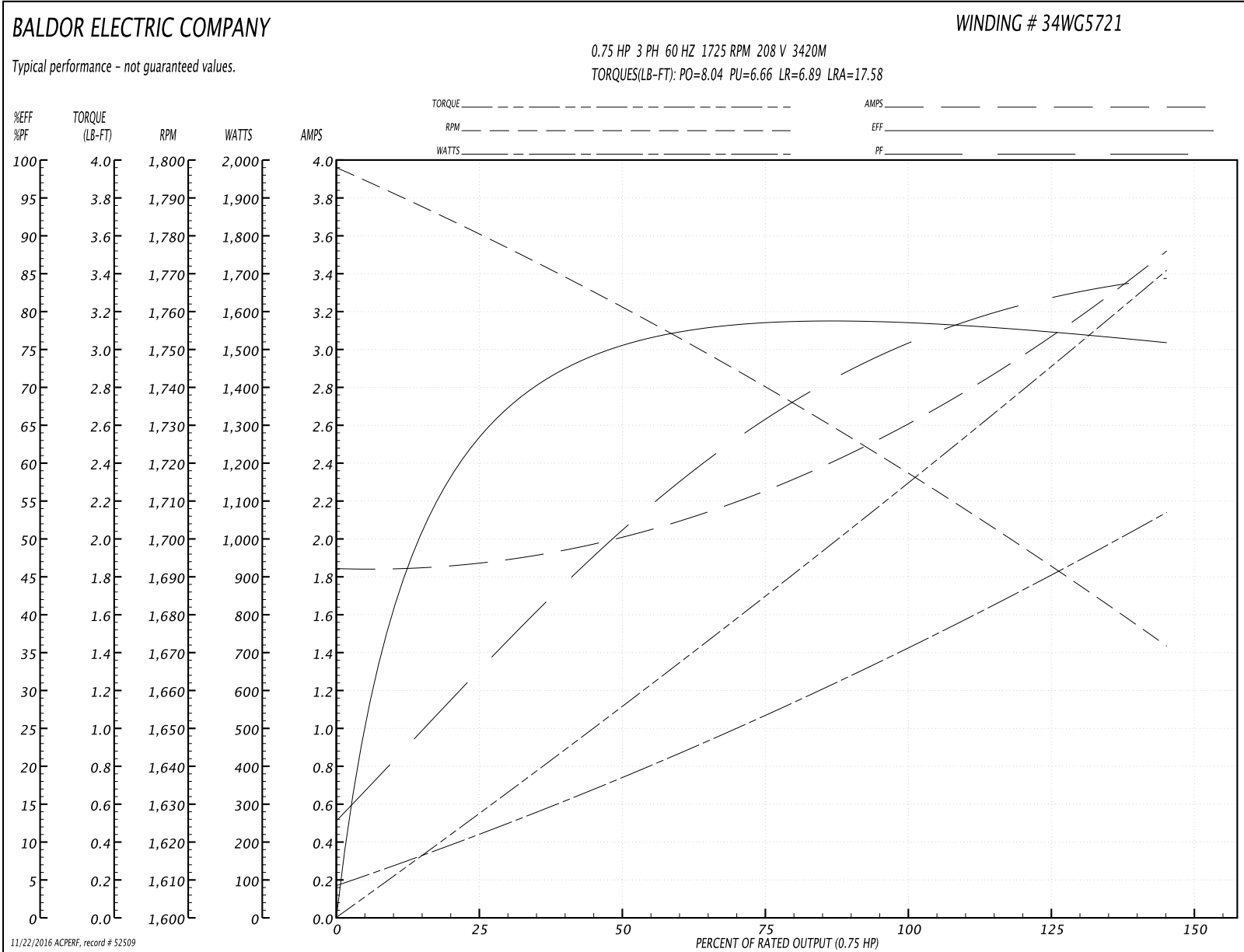
| | | |
|-------------------------------|--------------------|------------------------|
| Winding: 34WG5721-R001 | Type: 3420M | Enclosure: XPFC |
|-------------------------------|--------------------|------------------------|

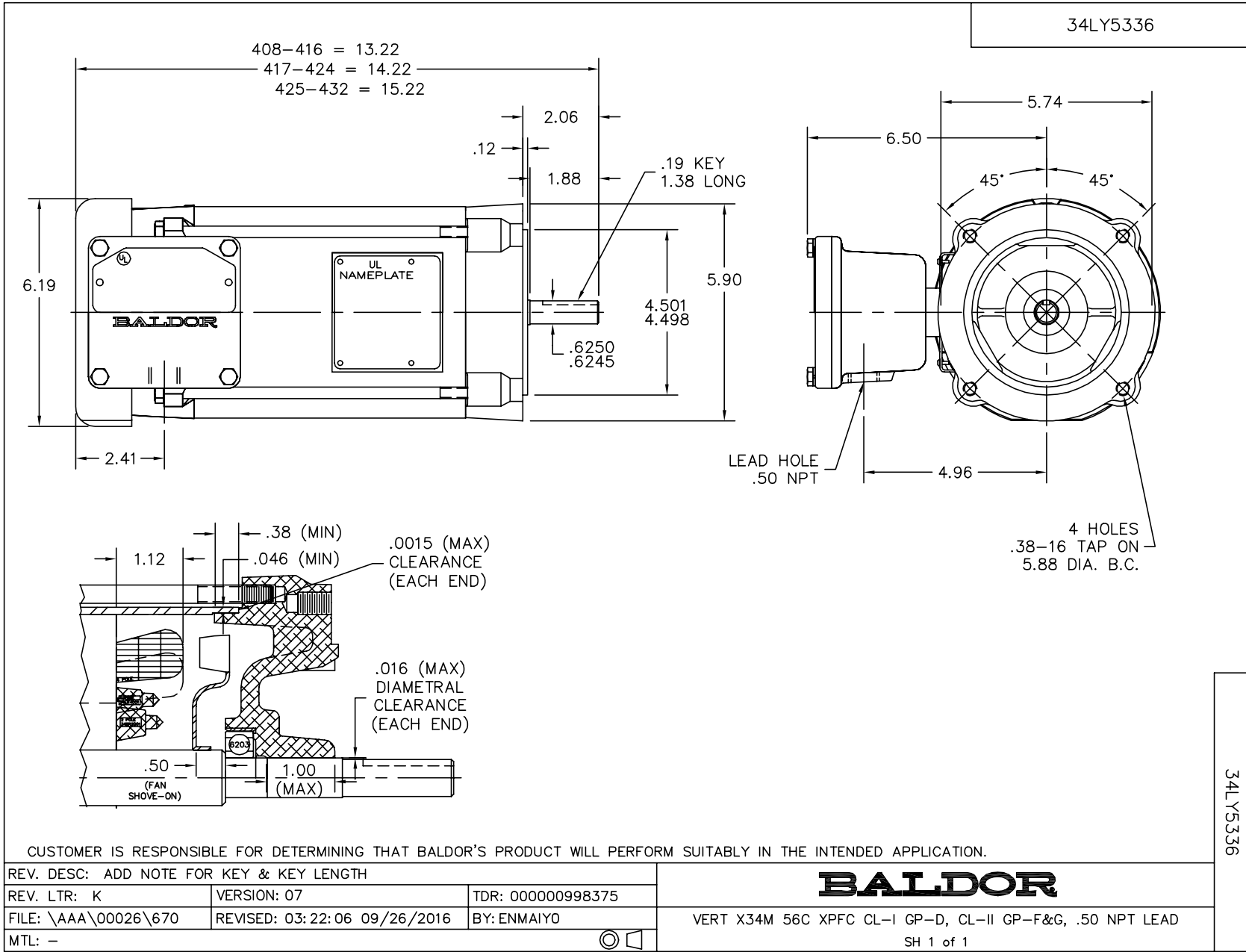
| Nameplate Data | | | | 208 V, 60 Hz: Low Voltage Connection | |
|-----------------------|--------------|--------------|----|---|---------------------------|
| Rated Output (HP) | .75 | | | Full Load Torque | 2.26 LB-FT |
| Volts | 208-230/460 | | | Start Configuration | direct on line |
| Full Load Amps | 3.2-3/1.5 | | | Breakdown Torque | 8.04 LB-FT |
| R.P.M. | 1725 | | | Pull-up Torque | 6.66 LB-FT |
| Hz | 60 | Phase | 3 | Locked-rotor Torque | 6.89 LB-FT |
| NEMA Design Code | B | KVA Code | K | Starting Current | 17.58 A |
| Service Factor (S.F.) | 1 | | | No-load Current | 1.856 A |
| NEMA Nom. Eff. | 73 | Power Factor | 58 | Line-line Res. @ 25°C | 4.425 Ω |
| Rating - Duty | 40C AMB-CONT | | | Temp. Rise @ Rated Load | 63°C |
| | | | | Locked-rotor Power Factor | 57.4 |
| | | | | Rotor inertia | 0.0476 LB-FT ² |

Load Characteristics 208 V, 60 Hz, 0.75 HP

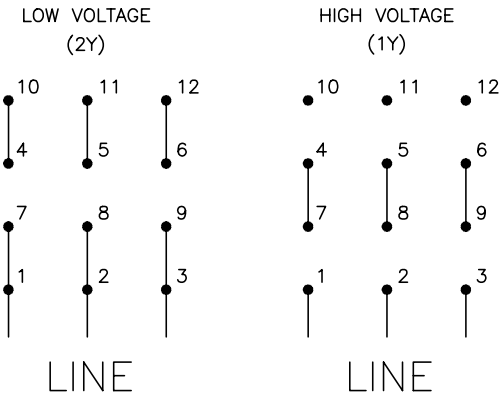
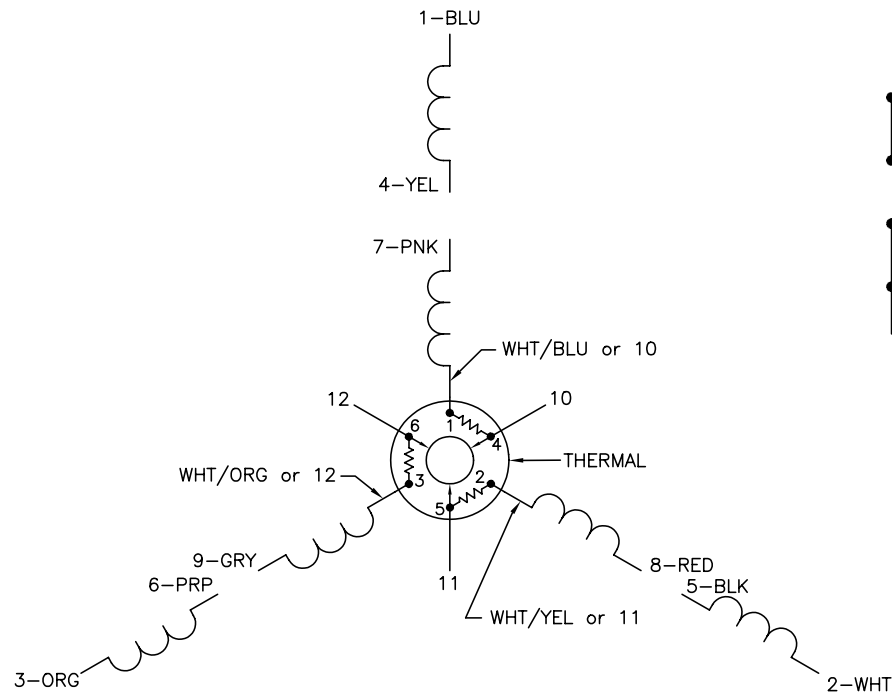
| % of Rated Load | 25 | 50 | 75 | 100 | 125 | 150 |
|-----------------|-------|-------|------|------|------|------|
| Power Factor | 33 | 53 | 67 | 73 | 82 | 85 |
| Efficiency | 64 | 75.4 | 78.7 | 78.5 | 77.6 | 75.9 |
| Speed | 1780 | 1761 | 1740 | 1719 | 1695 | 1672 |
| Line amperes | 1.888 | 1.958 | 2.22 | 2.68 | 3 | 3.5 |

Performance Graph at 208V, 60Hz, 0.75HP Typical performance - Not guaranteed values





CD0007



- NOTES:
1. INTERCHANGE ANY TWO LINE LEADS TO REVERSE ROTATION.
 2. ACTUAL NUMBER OF INTERNAL PARALLEL CIRCUITS MAY VARY.
 3. LEAD COLORS ARE OPTIONAL. LEADS MUST ALWAYS BE NUMBERED AS SHOWN.

| | | | |
|----------------------------------|---------|------------------------|--------------|
| REV. DESC: ADDED "CK" PLANT CODE | | | |
| REV. LTR: E | BY: EAH | REVISED: 05/06/99 17:1 | TDR: 0181040 |
| Z0000 | | FILE: AAA00008370 | MDL: - |
| | | MTL: - | |

BALDOR ELECTRIC Co.

3PH, DV, THERMAL, 12 LEADS

CD0007