

BALDOR® • ***RELIANCE***

Product Information Packet

WDGF6018AG

WDF-918-60-B5-G

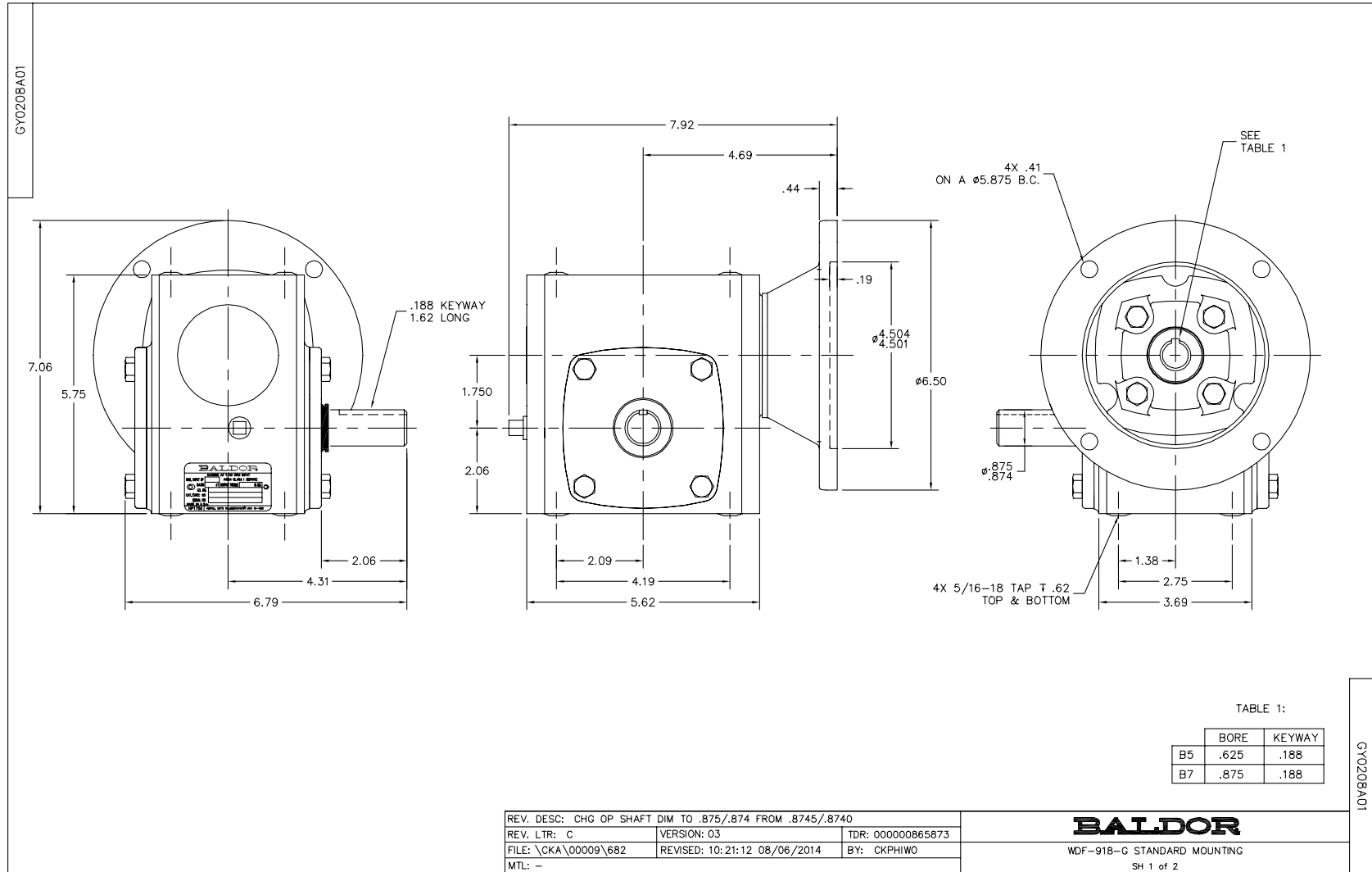
| | |
|------------------|-----------------|
| Nameplate NP1756 | |
| INPUT H.P. | .47 |
| RATIO | 60 |
| | WDF-918-60-B5-G |
| | R TORQ-INLB 413 |
| CAT./SPEC | WDFG6018AG |
| DATE CODE | GR0208C007 |

| Parts List | | |
|-------------|--|----------|
| Part Number | Description | Quantity |
| HG0015A10 | 918 WMGR HSG, SYMM SEALED, W/NP HOLES | 1.000 EA |
| HA4027A01 | SQUARE HEAD PIPE PLUG 1/4" NPTF #304 S.S | 1.000 EA |
| HW5000A94 | N5000-206 RETAINER RING | 2.000 EA |
| WM0059B09 | 918 SERIES MTZ WORM ASSY 60:1 RATIO 5/8 | 1.000 EA |
| BG6304A01 | 6304 OPEN,C3,SLUSH | 1.000 EA |
| 918-9SR | 5160-75 RET RING 5160-75 | 1.000 EA |
| HA3555A04 | EXPANSION PLUG 2.053/2.049 X 9/32 | 1.000 EA |
| HW4600G25 | SEAL 35MM X 52MM X 8MM SGL LIP FT802 | 1.000 EA |
| GF0001A01 | 918-3F56 GEAR FLANGE MACHINING 1.75 CD N | 1.000 EA |
| 10XN3118S20 | 5/16-18 X 1 1/4 HEX HEAD CAP, STAINLESS | 4.000 EA |
| HW1001S31 | WASHER, 5/16 SPLT LK, STAINLESS STEEL | 4.000 EA |
| BS0014A02 | 918-5 BEARING SUPPORT, OPEN-FOR SYMM HSG | 1.000 EA |
| GS0034A01 | WORMGEAR GASKET, .003 (GREEN), 3.15 ID X | 1.000 EA |
| GS0034A02 | WORMGEAR GASKET, .005 (BLUE), 3.15 ID X | 2.000 EA |
| GS0034A03 | WORMGEAR GASKET, .010 (BROWN), 3.15 ID X | 2.000 EA |
| HW4600G47 | SEAL .875 X 1.375 X 0.250 DBLLIP, FT802 | 1.000 EA |
| HW4600B46 | V-RING SLINGER 0.875 X 1.420 X .24 VITON | 1.000 EA |
| 10XN3118S12 | 5/16-18 X 3/4 HEX HEAD CAP, STAINLESS ST | 4.000 EA |
| SG0016B28 | 918 WASHDN GEAR SH ASSY 60:1, SGL O/P, W | 1.000 EA |
| BS0046A02 | 918 BEARING SUPPORT MACH. CLOSED | 1.000 EA |
| GS0034A01 | WORMGEAR GASKET, .003 (GREEN), 3.15 ID X | 1.000 EA |
| GS0034A02 | WORMGEAR GASKET, .005 (BLUE), 3.15 ID X | 2.000 EA |
| GS0034A03 | WORMGEAR GASKET, .010 (BROWN), 3.15 ID X | 2.000 EA |
| 10XN3118S12 | 5/16-18 X 3/4 HEX HEAD CAP, STAINLESS ST | 4.000 EA |

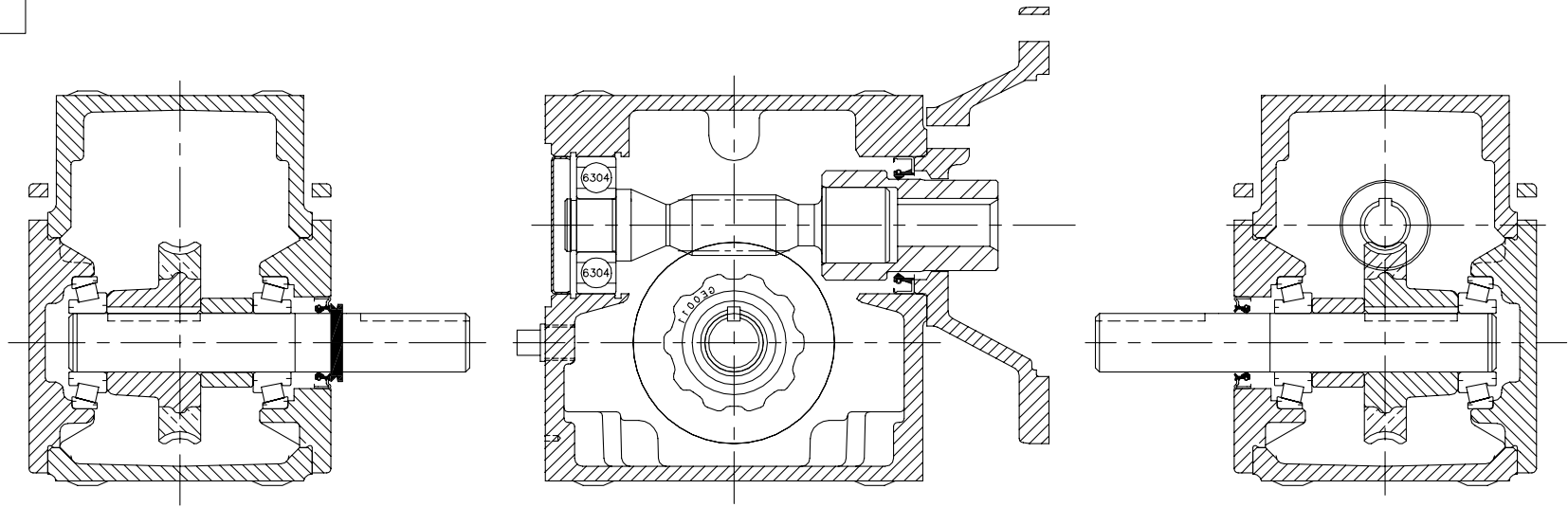
| Parts List (continued) | | |
|------------------------|--|----------|
| Part Number | Description | Quantity |
| HA3557A01 | ALLIANCE #I-5/16 MTG HOLE PLUG (YELLOW) | 4.000 EA |
| MJ1000A90 | KLUBERSYNTH UH1-6-460 WORMGEAR OIL | 0.125 GA |
| MJ5019A01 | ADHESIVE LOCTITE #680 WAS BAD4525 | 0.001 EA |
| MJ5004A35 | ADHESIVE LOCTITE #243-31 50 ML | 0.001 EA |
| MJ5001A19 | LOCTITE #598 ULTRA BLACK, 50 LB PAIL, IT | 0.010 LB |
| MG1500Y09 | RAL 1001 WILKOFAS 701.09 | 0.030 GA |
| MG1025W01 | WILKOFAS, 781.01, SIGNAL WHITE #9003 | 0.030 GA |
| LB5042 | TOE TAG, OIL PREFILL KLUBERSYN (5000/bx) | 1.000 EA |
| LT0066A08 | REDUCER MAINT - KLUBE (1700/bx) 8/09 | 1.000 EA |
| NP1756 | NAMEPLATE, GEAR REDUCER, KLUBERSYNTH UH1 | 1.000 EA |
| LB1242 | ADHESIVE PATCH 1.10 X 2.03 X .045 THICK | 1.000 EA |
| 85XU0208S03 | 2 X 3/16 DRIVE PIN S.S. (BMH5033) | 2.000 EA |
| MJ1000B01 | ANTISEIZE - ALTEMP Q NB 50, 750 GRAM CAN | 0.001 EA |
| HA3556A01 | CAPPLUGS T-7X, ORM BORE PLUG 5/8 BORE | 1.000 EA |
| 35PA1000 | PKG GRP, PRINT PK1008A06 | 1.000 EA |
| HW2502D10 | KEY, 3/16 SQ X 1.000 SS | 1.000 EA |
| 10XN3816S16 | 3/8-16 X 1 HEX HD CAP SCREW, STAINLE | 4.000 EA |
| HW1001S38 | WASHER, 3/8 SPLT LK, STAINLESS STEEL | 4.000 EA |
| MP1009A01 | 4 X 4 ZIP POLYBAG, 4 MIL | 1.000 EA |
| PK3101 | EXPANDED POLYETHYLENE PAD (BSM), 8 X 6 | 1.000 EA |

| Accessories | | |
|--------------------|---------------------------------------|-------------------|
| Part Number | Description | Multiplier |
| WDB18H71 | WASHDOWN BASE-HORIZONTAL POS. A/B 918 | |

No performance data has been assigned to this product.



GY0208A01



GY0208A01

| | | |
|---|------------------------------|-------------------|
| REV. DESC: CHG OP SHAFT DIM TO .875/.874 FROM .8745/.8740 | | |
| REV. LTR: C | VERSION: 03 | TDR: 000000865873 |
| FILE: \CKA\00009\682 | REVISED: 10:21:14 08/06/2014 | BY: CKPHIWO |
| MTL: - | | |

BALDOR
WDF-918-G STANDARD MOUNTING
SH 2 of 2