

# e-SH/e-SHX Repair Parts

316SS END SUCTION CENTRIFUGAL PUMP (60 Hz)

### e-SH S-GROUP

Item No.	Part Description	Material	1x2-6		1½x2½-6		2x2½-6		2½x3-6		1x2-8		1½x2½-8		2x2½-8		1x2-10		Max. Wt. (lb)	
			01SH06		15SH06		02SH06		25SH06		01SH08		15SH08		02SH08		01SH10			
100	Casing with wear ring		1L450		1L453		1L924		1L459		1L451		1L454		1L457		1L452		17	
101	Impeller	AISI Type 316SS	6 <sup>1</sup> / <sub>16</sub>	2L978	6¾	2L876	6 <sup>9</sup> / <sub>16</sub>	2L945	7 <sup>5</sup> / <sub>32</sub>	2L961	8 <sup>3</sup> / <sub>16</sub>	2L972	8¼	2L879	8¼	2L985	9 <sup>41</sup> / <sub>64</sub>	2L965	7	
			5 <sup>29</sup> / <sub>32</sub>	2L979	6 <sup>3</sup> / <sub>8</sub>	2L874	6 <sup>3</sup> / <sub>16</sub>	2L946	6 <sup>27</sup> / <sub>32</sub>	2L962	7 <sup>43</sup> / <sub>64</sub>	2L973	7 <sup>13</sup> / <sub>16</sub>	2L878	7¾	2L986	8 <sup>13</sup> / <sub>16</sub>	2L966		
			5 <sup>35</sup> / <sub>64</sub>	2L980	6 <sup>1</sup> / <sub>16</sub>	2L872	5 <sup>13</sup> / <sub>16</sub>	2L947	6½	2L983	7 <sup>21</sup> / <sub>64</sub>	2L974	7	2L877	7½	2L987	8 <sup>21</sup> / <sub>32</sub>	2L967		
			5 <sup>23</sup> / <sub>64</sub>	2L981	5 <sup>5</sup> / <sub>8</sub>	2L871	5½	2L948	6 <sup>19</sup> / <sub>64</sub>	2L963	7	2L975	6¾	2L876	7 <sup>3</sup> / <sub>16</sub>	2L988	8 <sup>3</sup> / <sub>16</sub>	2L968		
			4 <sup>61</sup> / <sub>64</sub>	2L982	5 <sup>5</sup> / <sub>16</sub>	2L870	5 <sup>1</sup> / <sub>8</sub>	2L949	5¾	2L984	6 <sup>11</sup> / <sub>16</sub>	2L976	6 <sup>7</sup> / <sub>16</sub>	2L875	6 <sup>7</sup> / <sub>8</sub>	2L989	8	2L969		
					4 <sup>11</sup> / <sub>16</sub>	2L869	4 <sup>13</sup> / <sub>16</sub>	2L950	5½	2L964	6¼	2L977	6 <sup>1</sup> / <sub>8</sub>	2L873	6 <sup>3</sup> / <sub>16</sub>	2L990	7¾	2L970		
					4 <sup>3</sup> / <sub>8</sub>	2L868	4 <sup>7</sup> / <sub>16</sub>	2L951									7 <sup>13</sup> / <sub>64</sub>	2L971		
103	Wear ring, casing		4L465		4L466		4L467		4L468		4L465		4L466		4L467		4L465		1	
184	Seal housing with ring		1L465				1L925		1L472		1L466				1L470		1L467		3	
203	Wear ring, seal housing		See Item 100						4L464		See Item 100									
126	Shaft sleeve	316SS	4L473		4L456				4L473		4L456				4L473					
178	Key, impeller	Steel			4K11				4K555		4K11				4K555		1			
422	Stud, impeller		13K217																	
199	Washer, impeller	316SS	4L458																	
108	Motor adapter, 143-184JM and S-group brg. frame	CI ASTM A48 CL 20	1L554		1L50				1L99		1L560		1L52		1L99		1L562		25	
	Motor adapter, 213-256JM		1L555		1L51				1L98		1L561		1L53		1L98		1L563		29	
370	Bolt, casing	300SS	13L38						13L89		13L38				13L89				-	
371 or 370B	Bolt, adapter, 143-184JM and S-Group brg. frame	Steel SAE 1200	13K360		13L43				13K360		13L43				13K360		25			
	Bolt, adapter, 213-256JM		13K379		13L41				13K245		13K361		13L40		13K245		13K361		29	
383	Mech. seal - standard	Type 21	10K27 - Carbon/Silicon-Carbide/Viton																	
	Mech. seal - high temp.		10K19 - Carbon/Silicon-Carbide/EPR																	
	Mech. seal - severe duty		10K64 - Silicon-Carbide/Silicon-Carbide/Viton																	
383A	Retainer, seal spring	316SS	4K517																	
408	Plug, vent and drain		6L60																	
412A	O-ring, impeller washer	Viton	5K320 standard (5K195 EPR option)																	
412F	O-ring, shaft sleeve		5K307 standard (5K306 EPR option)																	
513	O-ring, casing - standard		5K407				5L70		5K408				5L70		5L71				1	
	O-ring, casing - optional	EPR	5K393				5K317		5K394				5K317		5L110					

### e-SH M-GROUP (254JM-365TCZ)

Item No.	Part Description	Material	1½x2½ -10		2x2½-10		2½x3-8		2½x3-10		3x4-8		3x4-10		Max. Wt. (lb)
			15SH10		02SH10		25SH08		25SH10		03SH08		03SH10		
100	Casing with wear ring		1L455		1L458		1L460		1L461		1L463		1L464		17
101	Impeller	AISI Type 316SS	9 <sup>7</sup> / <sub>8</sub>	2L778	9 <sup>7</sup> / <sub>8</sub>	2L790	9 <sup>1</sup> / <sub>16</sub>	2L952	10 <sup>3</sup> / <sub>8</sub>	2L804	9 <sup>1</sup> / <sub>16</sub>	2L825	10 <sup>5</sup> / <sub>8</sub>	2L836	8
			9½	2L779	9½	2L791	8¾	2L953	9 <sup>15</sup> / <sub>16</sub>	2L805	8 <sup>11</sup> / <sub>16</sub>	2L826	10¼	2L837	
			9 <sup>3</sup> / <sub>16</sub>	2L780	9 <sup>1</sup> / <sub>8</sub>	2L792	8½	2L954	9 <sup>9</sup> / <sub>16</sub>	2L806	8 <sup>7</sup> / <sub>16</sub>	2L827	9 <sup>13</sup> / <sub>16</sub>	2L838	
			8 <sup>7</sup> / <sub>8</sub>	2L781	8 <sup>13</sup> / <sub>16</sub>	2L793	8¼	2L955	9¼	2L807	8 <sup>1</sup> / <sub>16</sub>	2L828	9 <sup>7</sup> / <sub>16</sub>	2L839	
			8 <sup>9</sup> / <sub>16</sub>	2L782	8 <sup>3</sup> / <sub>16</sub>	2L794	7 <sup>7</sup> / <sub>8</sub>	2L956	8¾	2L809	7 <sup>11</sup> / <sub>16</sub>	2L829	9 <sup>1</sup> / <sub>16</sub>	2L825	
			8¼	2L783	7 <sup>15</sup> / <sub>16</sub>	2L795	7½	2L957			7½	2L830	8 <sup>11</sup> / <sub>16</sub>	2L826	
					7 <sup>11</sup> / <sub>16</sub>	2L796	7 <sup>1</sup> / <sub>8</sub>	2L958			7 <sup>1</sup> / <sub>8</sub>	2L831			
							6 <sup>11</sup> / <sub>16</sub>	2L959			6 <sup>7</sup> / <sub>8</sub>	2L832			
							6½	2L960			6½	2L833			
											6	2L834			
								5½	2L835						
103	Wear ring, casing		4L467			4L468			4L469			1			
184	Seal housing with ring		1L468			1L473		1L475			1L478		3		
203	Wear ring, seal housing		4L201			4L464									
126	Shaft sleeve	316SS	4L457												1
178	Key, impeller	Steel	4K261												
422	Stud, impeller		13K301												
199	Washer, impeller	316SS	4L463												
108	Motor adapter, 254-256JM and M-group bearing frame	CI ASTM A48 CL 20	1L91			1L89			1L93			1L94			31
	Motor adapter, 280JM-365TCZ		1L90			1L88			1L92			1L95			44
370	Bolt, casing	300SS	13L86 (6 req'd)			13L89 (8 req'd)			13L86 (8 req'd)			13K45 (8 req'd)			-
371 or 370B	Bolt, adapter, 254-256JM and S-Group bearing frame	Steel SAE 1200	13L88					13L116					-		
	Bolt, adapter, 280JM-365TCZ		13L87					13L115					-		
383	Mech. seal - standard	Type 21	10K45 - carbon/silicon-carbide/viton												1
	Mech. seal - high temp.		10K20 - Carbon/silicon-carbide/EPR												
	Mech. seal - severe duty		10K65 - Silicon-carbide/silicon-carbide/viton												
383A	Retainer, seal spring	316SS	4K500												2
408	Plug, vent and drain		6L60												
412A	O-ring, impeller washer	Viton	5K309 standard (5K308 EPR option)												1
412F	O-ring, shaft sleeve		5K309 standard (5K308 EPR option)												
513	O-ring, casing - standard		EPR	5L71			5L70			5L71			5L72		
	O-ring, casing - optional	5L110			5K317			5L110			5L116				

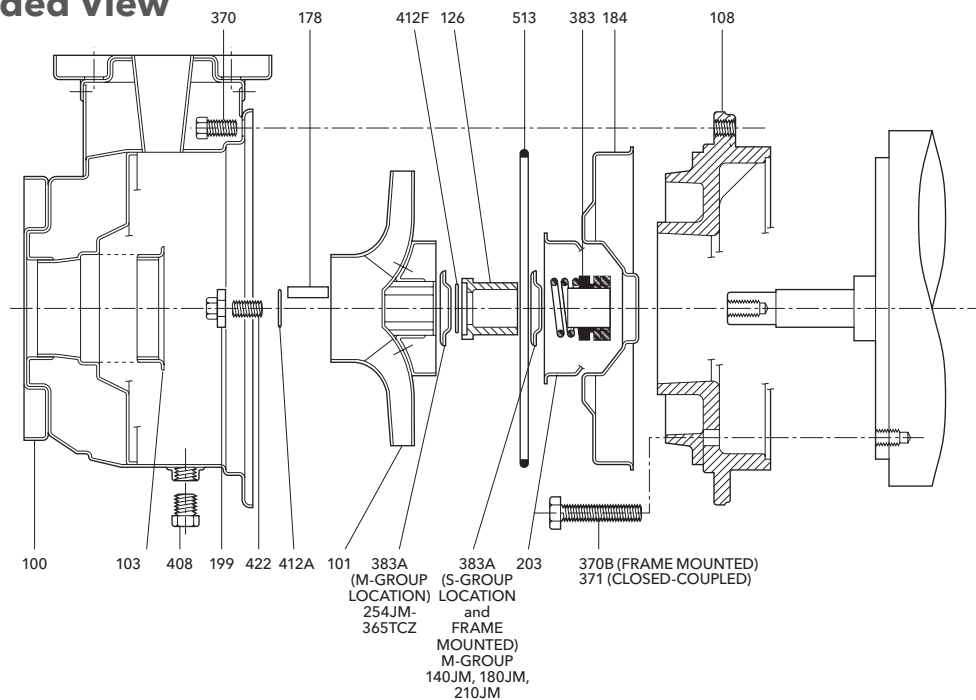
### e-SH M-GROUP (140JM, 180JM & 210JM)

Item No.	Part Description	Material	1½x2½-10		2x2½-10		2½x3-8		2½x3-10		3x4-8		Max. Wt. (lb)
			15SH10		02SH10		25SH08		25SH10		03SH08		
100	Casing with wear ring	AISI Type 316SS	1L455		1L458		1L460		1L461		1L463		17
101	Impeller		9 <sup>7</sup> / <sub>8</sub>	2L784	9 <sup>7</sup> / <sub>8</sub>	2L797	9 <sup>1</sup> / <sub>16</sub>	2L991	9 <sup>15</sup> / <sub>16</sub>	2L817	9 <sup>1</sup> / <sub>16</sub>	2L840	8
			9 <sup>1</sup> / <sub>2</sub>	2L785	9 <sup>1</sup> / <sub>2</sub>	2L798	8 <sup>1</sup> / <sub>2</sub>	2L992	9 <sup>9</sup> / <sub>16</sub>	2L818	8 <sup>7</sup> / <sub>16</sub>	2L841	
			9 <sup>3</sup> / <sub>16</sub>	2L786	9 <sup>1</sup> / <sub>8</sub>	2L799	8 <sup>1</sup> / <sub>4</sub>	2L993	9 <sup>1</sup> / <sub>4</sub>	2L819	8 <sup>7</sup> / <sub>16</sub>	2L842	
			8 <sup>7</sup> / <sub>8</sub>	2L787	8 <sup>13</sup> / <sub>16</sub>	2L800	7 <sup>7</sup> / <sub>8</sub>	2L994	8 <sup>3</sup> / <sub>4</sub>	2L821	7 <sup>11</sup> / <sub>16</sub>	2L843	
			8 <sup>9</sup> / <sub>16</sub>	2L788	8 <sup>3</sup> / <sub>16</sub>	2L801	7 <sup>1</sup> / <sub>8</sub>	2L995			7 <sup>1</sup> / <sub>8</sub>	2L844	
			8 <sup>1</sup> / <sub>4</sub>	2L789	7 <sup>15</sup> / <sub>16</sub>	2L802	6 <sup>11</sup> / <sub>16</sub>	2L996			6 <sup>1</sup> / <sub>2</sub>	2L845	
					7 <sup>11</sup> / <sub>16</sub>	2L803					6	2L846	
											5 <sup>1</sup> / <sub>2</sub>	2L847	
103	Wear ring, casing			4L467			4L468			4L469			1
184	Seal housing with ring		1L468			1L473		1L474				3	
203	Wear ring, seal housing		4L201			4L464							
126	Shaft sleeve	316SS	4K501			4L456							
178	Key, impeller	Steel	4K11										1
422	Stud, impeller		13K217										
199	Washer, impeller	316SS	4L458										
108	Motor adapter, 143-184JM and S-group bearing frame	CI ASTM A48 CL 20	1L97			1L99		1L123					25
	Motor adapter, 213		1L96			1L98		1L100					29
370	Bolt, casing	300SS	13L86 (6 req'd)			13L89 (8 req'd)		13L86 (8 req'd)					-
371 or 370B	Bolt, adapter, 143-184JM and S-Group bearing frame	Steel SAE 1200	13L43					N/A		13L117			-
	Bolt, adapter, 213-256JM		13K245						13K44			-	
383	Mech. seal - standard	Type 21	10K27										1
	Mech. seal - high temp.		10K19										
	Mech. seal - severe duty		10K64										
383A	Retainer, seal spring	316SS	4K517										
408	Plug, vent and drain		6L60										2
412A	O-ring, impeller washer	Viton	5K320 standard (5K195 EPR option)										1
412F	O-ring, shaft sleeve		5K320 standard (5K195 EPR)				5K307 (5K306 EPR option)						
513	O-ring, casing - standard		5L71		5L70		5L71						
	O-ring, casing - optional	EPR	5L110		5K317		5L110						

### e-SHX M-GROUP (254JM-256JM)

Item No.	Part Description	Material	1½x2½-10		2x2½-10		2½x3-8		3x4-8		Max. Wt. (lb)	
			15SH10		02SH10		25SH08		03SH08			
100	Casing with wear ring	AISI Type 316SS	Refer Page - 3		Refer Page - 3		Refer Page - 3		Refer Page - 3		17	
101	Impeller		8 3/4	2L1035	8	2L1049	6 1/2	2L960	6	2L834	8	
103	Wear ring, casing		Refer Page - 3		Refer Page - 3		Refer Page - 3		Refer Page - 3		1	
184	Seal housing with ring		Refer Page - 3		Refer Page - 3		Refer Page - 3		Refer Page - 3		3	
203	Wear ring, seal housing		Refer Page - 3		Refer Page - 3		Refer Page - 3		Refer Page - 3		1	
126	Shaft sleeve		316SS	Refer Page - 3								
178	Key, impeller	Steel	Refer Page - 3									
422	Stud, impeller		Refer Page - 3									
199	Washer, impeller	316SS	Refer Page - 3									
108	Motor adapter, 254-256JM	CI ASTM A48 CL 20	Refer Page - 3			Refer Page - 3		Refer Page - 3		31		
370	Bolt, casing	300SS	Refer Page - 3			Refer Page - 3		Refer Page - 3		-		
371	Bolt, adapter, 254-256JM	Steel SAE 1200	Refer Page - 3					Refer Page - 3		-		
383	Mech. seal - standard	Type 21	Refer Page - 3									1
	Mech. seal - high temp.		Refer Page - 3									
	Mech. seal - severe duty		Refer Page - 3									
383A	Retainer, seal spring	316SS	Refer Page - 3									2
408	Plug, vent and drain		Refer Page - 3									
412A	O-ring, impeller washer	Viton	Refer Page - 3									1
412F	O-ring, shaft sleeve		Refer Page - 3									
513	O-ring, casing - standard		Refer Page - 3			Refer Page - 3		Refer Page - 3		Refer Page - 3		
	O-ring, casing - optional	EPR	Refer Page - 3			Refer Page - 3		Refer Page - 3		Refer Page - 3		

### e-SH Exploded View



### e-SHX S-GROUP

Item No.	Part Description	Material	1x2-6		1½x2½-6		2x2½-6		2½x3-6		1x2-8		1½x2½-8		2x2½-8		1x2-10		Max. Wt. (lb)	
			01SH06		15SH06		02SH06		25SH06		01SH08		15SH08		02SH08		01SH10			
100	Casing with wear ring	AISI Type 316SS	Refer Page - 2		Refer Page - 2		Refer Page - 2		Refer Page - 2		Refer Page - 2		Refer Page - 2		Refer Page - 2		Refer Page - 2		17	
101	Impeller		5 1/2	2L1011	6 1/2	2L1024	6 3/16	2L946	6 1/2	2L983	7 3/4	2L1004	7 3/4	2L1020	8	2L1016	8 3/4	2L1000	7	
			-	-	5	2L1029	5 1/8	2L949	5 1/2	2L964	6 1/4	2L1007	6 1/4	2L1025	-	-	-	-		
103	Wear ring, casing		Refer Page - 2	Refer Page - 2		Refer Page - 2		Refer Page - 2		Refer Page - 2		Refer Page - 2		Refer Page - 2		Refer Page - 2		Refer Page - 2		1
184	Seal housing with ring		Refer Page - 2			Refer Page - 2		Refer Page - 2		Refer Page - 2		Refer Page - 2			Refer Page - 2		Refer Page - 2		3	
203	Wear ring, seal housing		See Item 100						Refer Page - 2		See Item 100									
126	Shaft sleeve	316SS	Refer Page - 2		Refer Page - 2				Refer Page - 2		Refer Page - 2				Refer Page - 2					
178	Key, impeller	Steel	Refer Page - 2		Refer Page - 2				Refer Page - 2		Refer Page - 2				Refer Page - 2		1			
422	Stud, impeller		Refer Page - 2																	
199	Washer, impeller	316SS	Refer Page - 2																	
108	Motor adapter, 143-184JM	Cl ASTM A48 CL 20	Refer Page - 2		Refer Page - 2														25	
	Motor adapter, 213-256JM		Refer Page - 2				Refer Page - 2		Refer Page - 2		Refer Page - 2		Refer Page - 2		Refer Page - 2		29			
370	Bolt, casing	300SS	Refer Page - 2				Refer Page - 2		Refer Page - 2				Refer Page - 2				-			
371	Bolt, adapter, 143-184JM	Steel SAE 1200	Refer Page - 2		Refer Page - 2														25	
	Bolt, adapter, 213-256JM		Refer Page - 2				Refer Page - 2		Refer Page - 2		Refer Page - 2		Refer Page - 2		Refer Page - 2		29			
383	Mech. seal - standard	Type 21	Refer Page - 2																	1
	Mech. seal - high temp.		Refer Page - 2																	
	Mech. seal - severe duty		Refer Page - 2																	
383A	Retainer, seal spring	316SS	Refer Page - 2																	
408	Plug, vent and drain		Refer Page - 2																	2
412A	O-ring, impeller washer	Viton	Refer Page - 2																	1
412F	O-ring, shaft sleeve		Refer Page - 2																	
513	O-ring, casing - standard		Refer Page - 2				Refer Page - 2		Refer Page - 2				Refer Page - 2		Refer Page - 2					
	O-ring, casing - optional	EPR	Refer Page - 2				Refer Page - 2		Refer Page - 2				Refer Page - 2		Refer Page - 2					

### e-SHX Conversion Kits

Current e-SH Configuration					e-SHX Conversion Kit		
Model	Cast		Fabricated		Model	Kit P/N	As Needed
	Imp Trim	Imp ø	Imp Trim	Imp ø			Motor Adapter
01SH06	F	6 1/16	A	6 1/16	01SHX06H	01SHX06HKIT	1L554
	G	5 3/4	B	5 29/32			
	H	5 1/2	C	5 35/64			
	I	5 1/4	D	5 23/64			
	J	5	----	----			
	K	4 3/4	----	----			
01SH08	G	8 3/16	A	8 3/16	01SHX08H	01SHX08HKIT	1L561
	H	7 3/4	B	7 43/64			
	J	7 1/4	C	7 21/64			
	K	6 3/4	D	7	01SHX08L	01SHX08LKIT	
	L	6 1/4	E	6 11/16			
	M	5 3/4	F	6 1/4			
01SH10	K	8 3/4	B	8 13/16	01SHX10M	01SHX10MKIT	1L563
	L	8 3/8	C	8 21/32			
	M	8	D	8 3/16			
	----	----	E	8			
	----	----	F	7 3/4			
	----	----	G	7 13/64			
15SH06	J	7	A	6 3/4	15SHX06K	15SHX06KKIT	1L51
	K	6 1/2	B	6 3/8			
	L	6	C	6 1/16			
	----	----	D	5 5/8	15SHX06N	15SHX06NKIT	1L50
	M	5 1/2	E	5 5/16			
	N	5	F	4 11/16			
P	4 1/2	G	4 3/8				
15SH08	H	7 3/4	A	8 1/4	15SHX08J	15SH08JKIT	1L53
	J	7 3/16	B	7 13/16			
	K	6 3/4	C	7			
	L	6 1/4	D	6 3/4	15SHX08L	15SH08LKIT	
	M	5 3/4	E	6 7/16			
	----	----	F	6 1/8			
15SH10	H	9 1/2	B	9 1/2	15SHX10K	15SH10KKIT	1L91
	J	9 1/8	C	9 3/16			
	K	8 3/4	D	8 7/8			
	L	8 3/8	E	8 9/16			
	M	8	F	8 1/4			
	N	7 5/8	----	----			
02SH06	A	6 9/16	----	----	02SHX06C	02SH06CKIT	1L51
	B	6 3/16					
	C	5 13/16					
	D	5 1/2			02SHX06E	02SH06EKIT	
	E	5 1/8					
	F	4 13/16					
02SH08	K	6 3/4	E	6 7/8	02SHX08L	02SH08LKIT	1L98
	L	6 1/4	F	6 3/16			

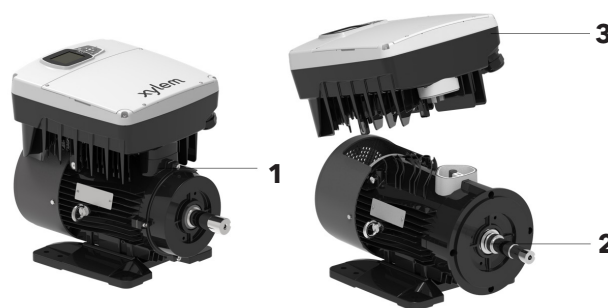
(continued on next page)

## e-SHX Conversion Kits (continued)

Current e-SH Configuration					e-SHX Conversion Kit		
Model	Cast		Fabricated		Model	Kit P/N	As Needed
	Imp Trim	Imp ø	Imp Trim	Imp ø			Motor Adapter
02SH10	L	8 3/4	D	8 13/16	02SHX10N	02SH10NKIT	1L91
	M	8 3/8	E	8 3/16			
	N	8	F	7 15/16			
	----	----	G	7 11/16			
25SH06	E	5 3/4	----	----	25SHX06F	25SH06FKIT	1L98
	F	5 1/2					
25SH08	G	7 1/8	----	----	25SHX08J	25SH08JKIT	1L89
	H	6 11/16					
	J	6 1/2					
03SH08	J	6 1/2	----	----	03SHX08K	03SH08KKIT	1L93
	K	6					
	L	5 1/2					

## e-SHX Motor/Drive Table

Motor/Drive Repair Parts			
Model	Motor + Drive (1)	Motor Only (2)	Drive Only (3)
01SHX06H7H42	100637850	KL60AF0	KL55ANA
15SHX06N0542	100637810	KL60AH7	
01SHX08H1542	100638010	KL60AKS	KL55ANC
01SHX08L1042	100637970	KL60AKQ	
01SHX10M1542	100638010	KL60AKS	
15SHX06K1542	100638010	KL60AKS	
15SHX08J1542	100638010	KL60AKS	
15SHX08L1542	100638010	KL60AKS	
02SHX06C1542	100638010	KL60AKS	
02SHX06E1542	100638010	KL60AKS	
02SHX08L1542	100638010	KL60AKS	
25SHX06F1542	100638010	KL60AKS	
15SHX10K3042	100638210	KL60AK3	KL55ANE
02SHX10N3042	100638210	KL60AK3	
25SHX08J3042	100638210	KL60AK3	
03SHX08K3042	100638210	KL60AK3	



Order Online: [www.PumpCatalog.com](http://www.PumpCatalog.com)

**xylem**  
Let's Solve Water

Xylem Inc.  
Phone: (866) 673-0428  
Fax: (888) 322-5877  
[www.xylem.com/goulds](http://www.xylem.com/goulds)

Xylem is a registered trademark of Xylem Inc. or one of its subsidiaries. Goulds is a registered trademark of ITT Manufacturing Enterprises LLC and is used under license. All other trademarks or registered trademarks are property of their respective owners.  
© 2024 Xylem Inc. ReSHSMGR R3 February 2024

Learn more about  
e-SHX Smart Pumps

