

STA-RITE® CJ Series

Stainless steel body, self-priming shallow well jet pumps



ClearJet models provide excellent performance with good pressure for wells to 25' deep. Self-priming after the priming chamber has been filled with water.

APPLICATIONS

Water systems and sprinkling... for homes, farms and cottages.

SPECIFICATIONS

Maximum Liquid Temperature Limits: 122°F (50°C)

Max. Inlet Pressure: 50 PSI

Average Priming Time at 20 Feet:

CJ90E = 5.3 min.

CJ90F = 4.2 min.

Body: 304 Stainless steel

Jet Assembly, Diffuser, Impeller: Noryl®

Shaft: One-piece threaded, 416 grade stainless steel

Base: Polypropylene

FEATURES

Corrosion Free: Stainless steel pump body provides maximum resistance to corrosion.

Built-in Jet: High-strength thermoplastic components are corrosion resistant.

Mechanical Shaft Seal: Highly polished carbon-ceramic and stainless steel construction.

Motor Windings: Superior insulation materials protect against excessive moisture and contaminants... assure prolonged motor life.

Balanced Rotor: Diecast under high pressures for uniform performance and greater efficiency, dynamically balanced.

Heavy-Duty Ball Bearings: Shielded, permanently lubricated bearings, extensively tested to ensure extended life and smooth, quiet operation.

Pump and Motor Shaft: Stainless steel for maximum corrosion resistance; one-piece threaded shaft for positive impeller drive and alignment.

Dustproof Cover: All electrical components are protected from dirt, dust and insects by a dustproof canopy; ventilating air cannot contaminate vital switching components.

Pressure Switch: Quality, fixed differential (20 PSI).

ORDERING INFORMATION

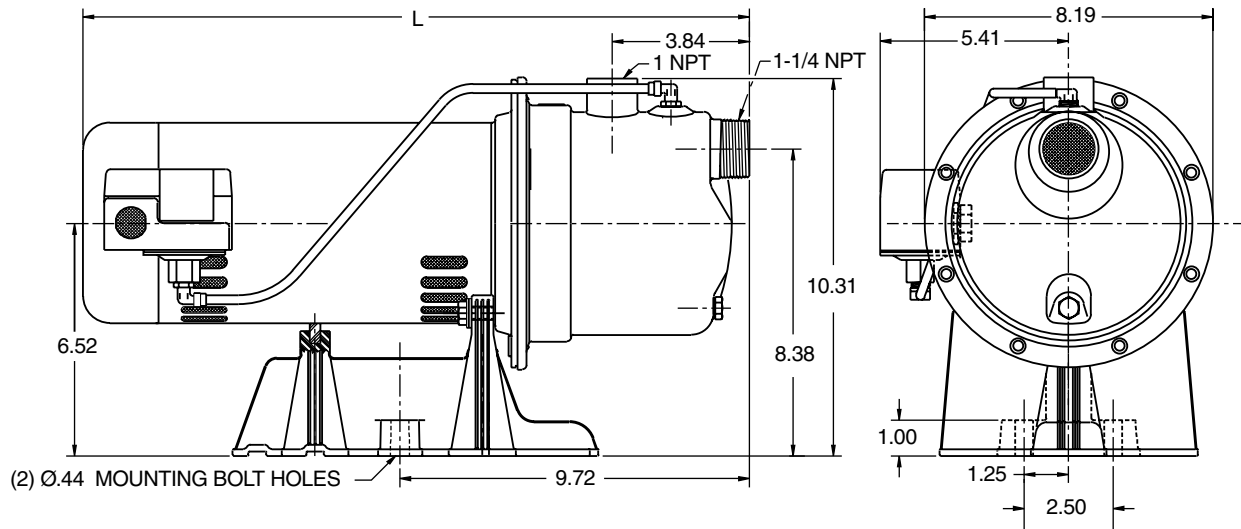
CATALOG NUMBER	HP	SWITCH SETTING	DESCRIPTION	PIPE TAPPING SIZES		MOTOR VOLTAGE	APPROX. WT. LBS.
				SUCTION	DISCHARGE		
CJ90E	1	30-50	Shallow Well Jet	1-1/4"	1"	115/230	26
CJ90F	1-1/2	40-60	Shallow Well Jet	1-1/4"	1"	115/230	29

Noryl® is a registered trademark of General Electric Co.
All other brand or product names are trademarks or registered trademarks of Pentair Ltd.

STA-RITE® CJ Series

Stainless steel body, self-priming shallow well jet pumps

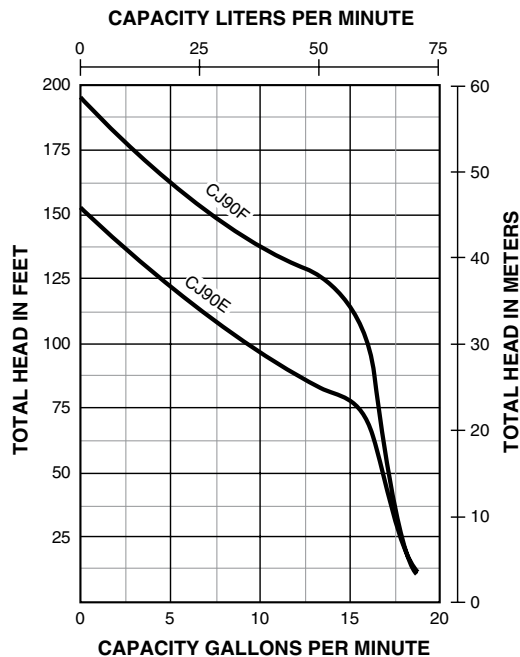
OUTLINE DIMENSIONS



Dimensions (in inches) are for estimating purposes only.

CATALOG NUMBER	L
CJ9E	18.19
CJ90F	19.25

PUMP PERFORMANCE



2.31 FT. OF HEAD = 1 PSI
1 FT. OF HEAD = .433 PSI

PUMP PERFORMANCE (CAPACITY IN GALLONS PER MINUTE)

CATALOG NUMBER	HP	DISCH. PRESSURE PSI	DEPTH TO WATER					SHUT-OFF PRESSURE PSI
			5'	10'	15'	20'	25'	
CJ90E	1	30	16.1	14.4	12.6	10.1	7.5	64
		40	11	11	11	9.0	7.2	
		50	5.8	5.8	5.8	5.8	5.8	
CJ90F	1-1/2	40	16.2	14.6	12.6	10.6	7.5	80
		50	15.4	14.3	12.3	10.3	7.3	
		60	9.5	9.5	9.5	9.5	7.1	

Tested and rated in accordance with Water Systems Council Standards.

NOTE: CJ90E used 30-50 PSI pressure switch; CJ90F used 40-60 PSI pressure switch.

Pumps installed with a Pro-Source® tank require a 100 PSI relief valve. Pumps installed with a conventional tank require a 75 PSI relief valve. Relief valve must be capable of relieving entire flow of pump at relief pressure.