



TBZ Series “Z-Ball” True Union Ball Valves

1/2" TO 6" PVC AND CPVC

KEY FEATURES

- PVC and CPVC
- Full Port Design
- Reversible PTFE Seats
- Double O-Ring Stem Seals
- For Sodium Hypochlorite Applications
- Adjustable Seat Retainer

OPTIONS

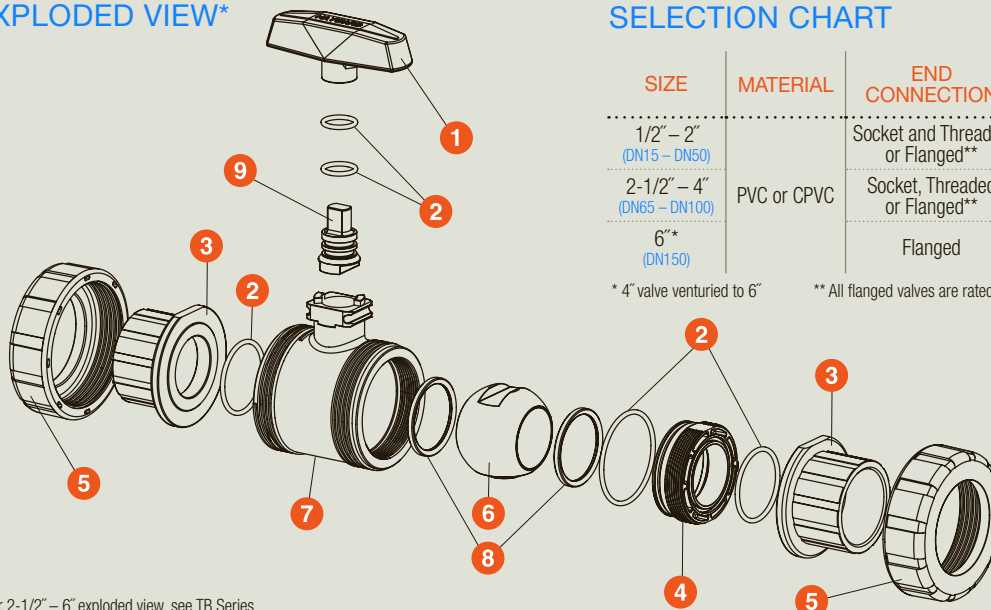
- Lockouts Available
- Stem Extensions
- Spring Return Handle
- Pneumatic and Electric Actuators
- 2" Square Operating Nut

MATERIALS

- PVC Cell Class 12454 per ASTM D1784
- CPVC Cell Class 23447 per ASTM D1784
- FPM O-Ring Seals

TECHNICAL INFORMATION

EXPLODED VIEW*



* For 2-1/2" – 6" exploded view, see TB Series

SELECTION CHART

SIZE	MATERIAL	END CONNECTION	SEALS	PRESSURE RATING
1/2" – 2" (DN15 – DN50)	PVC or CPVC	Socket and Threaded or Flanged**	FPM	250 PSI @ 70°F Non-Shock
2-1/2" – 4" (DN65 – DN100)		Socket, Threaded or Flanged**		235 PSI @ 70°F Non-Shock
6"* (DN150)		Flanged		150 PSI @ 70°F Non-Shock

* 4" valve venturied to 6"

** All flanged valves are rated to 150 PSI @ 70°F Non-Shock

TBZ Series "Z-Ball" True Union Ball Valves

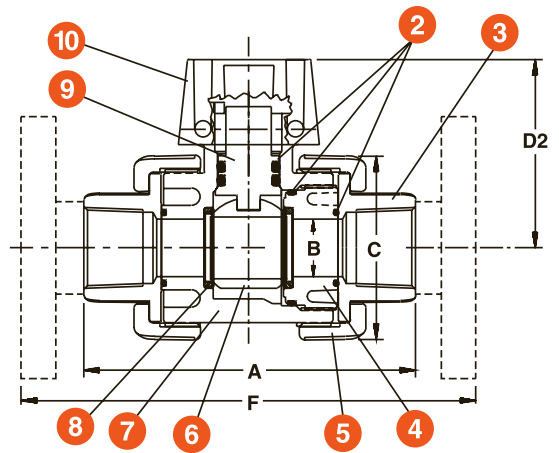
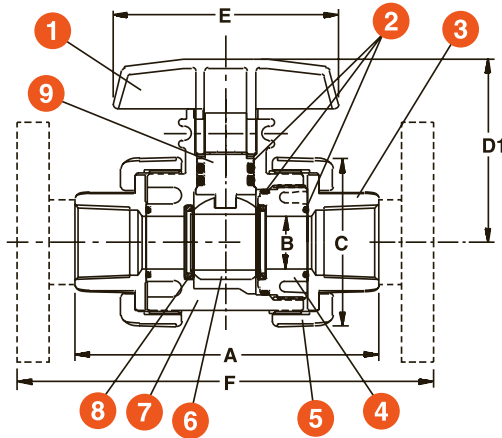
1/2" TO 6" PVC AND CPVC

TECHNICAL INFORMATION, CONTINUED

PARTS LIST*

1. Handle
2. O-Ring Seals
3. End Connector
4. Seal Retainer
5. Union Nut
6. Ball
7. Body
8. PTFE Seat
9. Stem
10. Actuator Mounting Pad

* For 2-1/2" – 6" Sizes, See TB Series



DIMENSIONS

SIZE in/DN	A in/mm	B in/mm	C in/mm	D1 in/mm	D2 in/mm	E in/mm	F in/mm	WEIGHT lbs/kg	
								SOC/THD	FLANGED
1/2/15*	4.77/121	.50/13	2.25/57	2.81/71	2.63/67	3.50/89	6.75/171	.75/.34	1.00/.45
3/4/20*	4.85/123	.75/19	2.63/67	3.02/76	2.81/71	3.50/89	7.13/181	.75/.34	1.00/.45
1/25*	5.44/138	.93/24	3.00/76	3.26/83	3.05/77	5.00/127	8.09/205	1.15/.52	2.15/.98
1-1/4/32*	6.30/160	1.50/38	4.00/102	3.92/100	3.48/88	5.00/127	9.19/233	2.15/.98	3.50/1.6
1-1/2/40*	6.85/174	1.50/38	4.00/102	3.92/100	3.48/88	5.00/127	9.88/250	2.15/.98	3.75/1.7
2/50*	8.00/203	1.94/50	4.75/121	4.43/113	4.00/102	5.00/127	11.4/290	3.80/1.7	6.30/2.9
2-1/2/65	10.68/271	2.75/70	6.66/169	6.46/164	6.17/157	10.50/267	14.65/372	11.30/5.12	15.30/6.94
3/80*	10.56/268	2.75/70	6.66/169	6.46/164	6.17/157	10.50/267	14.60/371	11.30/5.12	15.30/6.94
4/100*	12.30/312	3.81/97	8.56/217	7.62/194	6.64/169	10.50/267	17.26/438	18.50/8.39	25.70/11.65
6/150*	N/A	3.81/97	8.56/217	7.62/194	6.64/169	10.50/267	19.26/489	N/A	30.75/13.95

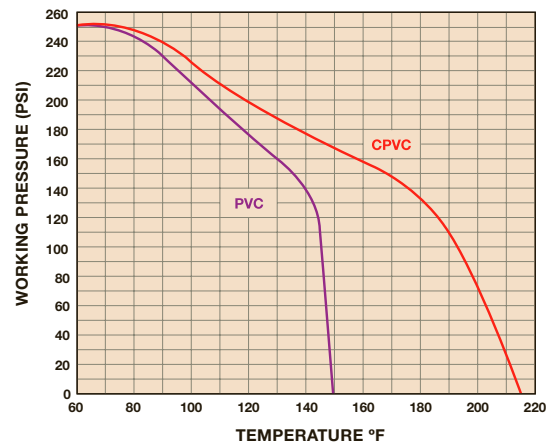
Dimensions are subject to change without notice – consult factory for installation information

* Metric End Connections Available In: BSP – Straight Thread, BSP TR – Tapered Thread and Metric Socket

Cv VALUES

SIZE in/DN	Cv VALUES	SIZE in/DN	Cv VALUES	PRESSURE LOSS CALCULATION FORMULA
1/2/15	8.0	2/50	150.0	
3/4/20	16.0	2-1/2/65	340.0	
1/25	29.0	3/80	490.0	
1-1/4/32	75.0	4/100	600.0	
1-1/2/40	90.0	6/150	550.0	

OPERATING TEMPERATURE/PRESSURE



Contact Hayward Flow Control with questions: **USA:** 1-888-429-4635 • Fax: 1-888-778-8410 • One Hayward Industrial Drive • Clemmons, NC 27012 USA
Canada: 1.888.238.7665 • Fax: 1.905.829.3636 • 2880 Plymouth Drive • Oakville, ON L6H 5R4 Canada • Email: hflowcanada@haywardnet.com
 Visit us at: www.haywardflowcontrol.com • E-mail: hflow@haywardnet.com