

PRODUCT Overview

Smart Valve Technology is a retrofitable kit that pneumatically activates the air valve, instantly starting the pump operation.

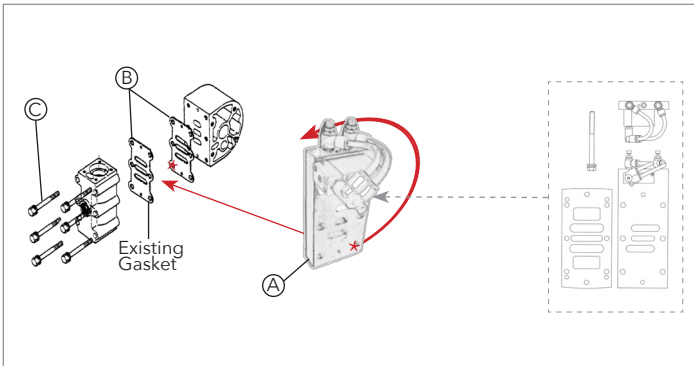
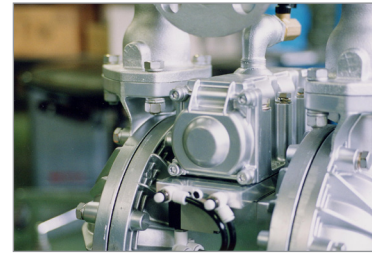
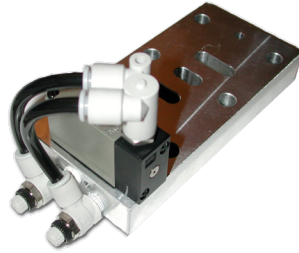


Fig.1 - SVT-225 for NDP-20/25 Series Pumps

SVT-225

1. Remove (6) retainer bolts, air valve assembly, and gasket. (C)
2. Install new gasket against center block, oriented either way. (B)
3. Place SVT valve plate on top of gasket (SVT can be orientated in either direction, though placing the SVT valve facing away from the air valve and re-set button is recommended). (A)
4. Place existing gasket on top of SVT valve plate.
5. Install air valve assembly on top of gasket.
6. Assemble (6) NEW air valve retainer bolts. (C)
7. Torque bolts to 5.5 ft./lbs.

The SVT valve comes pre-adjusted from the factory. If field adjustment is required, note the following steps.

1. Loosen needle valve stop rings.
2. Close needle valves completely.
3. Open needle valves 3/4 turn.
4. Tighten needle valve lock rings.

Additional Notes:

- Pump air inlet pressure required is 30-100 PSI.
- Use clean and dry air only.

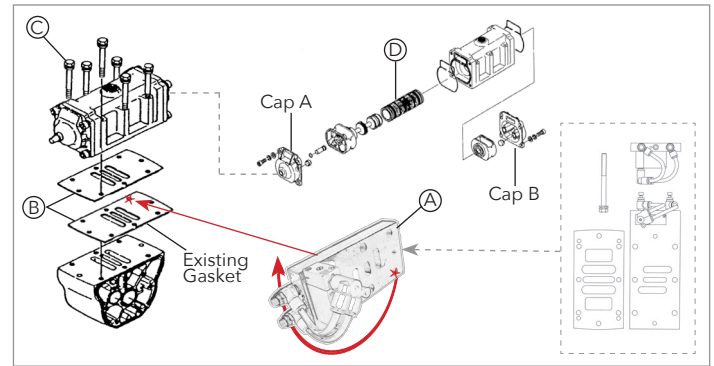


Fig. 2 - SVT-458 for NDP-40/50/80 Series Pumps

SVT-458

1. Remove (6) retainer bolts, air valve assembly, and gasket. (C)
2. Keep existing gasket in place against center block oriented either way.
3. Place SVT valve plate on top of gasket (SVT can be orientated in either direction, though placing the SVT valve facing away from the air valve and re-set button is recommended). (A)
4. Place new gasket on top of SVT valve plate. (B)
5. Install air valve assembly on top of gasket.
6. Assemble (6) NEW air valve retainer bolts. (C)
7. Torque bolts to 12 ft./lbs.
8. Remove air valve caps A and B. Slide the air valve out of the pump. Remove sleeve and replace with the new sleeve* included in the kit. Insert air valve back into sleeve. Reassemble Cap's A & B.
9. *Must use the New Sleeve with your SVT valve. (D)

Model	SVT-225	SVT-458
Kit Part #	804066	804065
Kit Includes	(1) Plate Assy. (A) (1) Gasket (B) (6) Bolt (C)	(1) Plate Assy. (A) (1) Gasket (B) (6) Bolt (C) (1) Sleeve (D)
New Sleeve*	not required	803675-SVT