

BALDOR® • *RELIANCE*

Product Information Packet

AOM3539

.5HP, 1140RPM, 3PH, 60HZ, 56, 3418M, TEAO, F1, N

Part Detail							
Revision:	C	Status:	PRD/A	Change #:		Proprietary:	No
Type:	AC	Prod. Type:	3418M	Elec. Spec:	34WG5884	CD Diagram:	CD0005
Enclosure:	TEAO	Mfg Plant:		Mech. Spec:	34T045	Layout:	34LYT045
Frame:	56	Mounting:	F1	Poles:	06	Created Date:	11-21-2007
Base:	RG	Rotation:	R	Insulation:	F	Eff. Date:	03-02-2016
Leads:	9#18					Replaced By:	
Literature:		Elec. Diagram:					

Nameplate NP1256L										
CAT.NO.	AOM3539									
SPEC.	34T045-5884G3									
HP	.5									
VOLTS	208-230/460									
AMP	2.5-2.4/1.2									
RPM	1140									
FRAME	56					HZ	60		PH	3
SER.F.	1.00					CODE	J		DES	B
NEMA-NOM-EFF	72					PF	55		CLASS	F
RATING	40C AMB-CONT									
CC								USABLE AT 208V	2.7	
DE	6203					ODE	6203			
ENCL	TEAO					SN				

Parts List		
Part Number	Description	Quantity
SA166343	SA 34T045-5884G3	1.000 EA
RA154723	RA 34T045-5884G3	1.000 EA
NS2512A01	INSULATOR, CONDUIT BOX X	1.000 EA
34CB3002A	CB CAST W/.88 DIA HOLE	1.000 EA
34GS1029A01	GASKET, CONDUIT BOX	1.000 EA
51XB1016A07	10-16 X 7/16 HXWSSLD SERTYB	2.000 EA
11XW1032G06	10-32 X .38, TAPTITE II, HEX WSHR SLTD U	1.000 EA
34EP3100A03SP	FR ENDPLATE, MACH	1.000 EA
HW5100A03SP	WAVY WASHER (W1543-017)	1.000 EA
34EP3102A02SP	FR/PU ENDPLATE, MACH	1.000 EA
XY1032A02	10-32 HEX NUT DIRECTIONAL SERRATION	4.000 EA
34CB4517	CB LID 4 MTG HOLES .22 DIA STAMPED, FOR	1.000 EA
34GS1031A01	GASKET, FLAT CONDUIT BOX LID (LEXIDE)	1.000 EA
51XW0832A07	8-32 X .44, TAPTITE II, HEX WSHR SLTD SE	4.000 EA
HW2501D13	KEY, 3/16 SQ X 1.375	1.000 EA
HA7000A04	KEY RETAINER 0.625 DIA SHAFTS	1.000 EA
MG1000G27	MED CHARCOAL METALLIC GREY 400-0096	0.014 GA
10XF0440S02	04-40 X 1/8 TYPE F HEX HD STAINLESS STIC	2.000 EA
HA3100A44	THRUBOLT 10-32 X 8.000	4.000 EA
MN416A01	TAG-INSTAL-MAINT no wire (1200/bx) 11/14	1.000 EA
LC0005E01	CONN.DIA./WARNING LABEL (LC0005/LB1119N)	1.000 EA
NP1256L	ALUM UL CSA CC	1.000 EA
34PA1002	PKG GRP, PRINT PK1001A01	1.000 EA

AC Induction Motor Performance Data

Record # 36355 - Typical performance - not guaranteed values

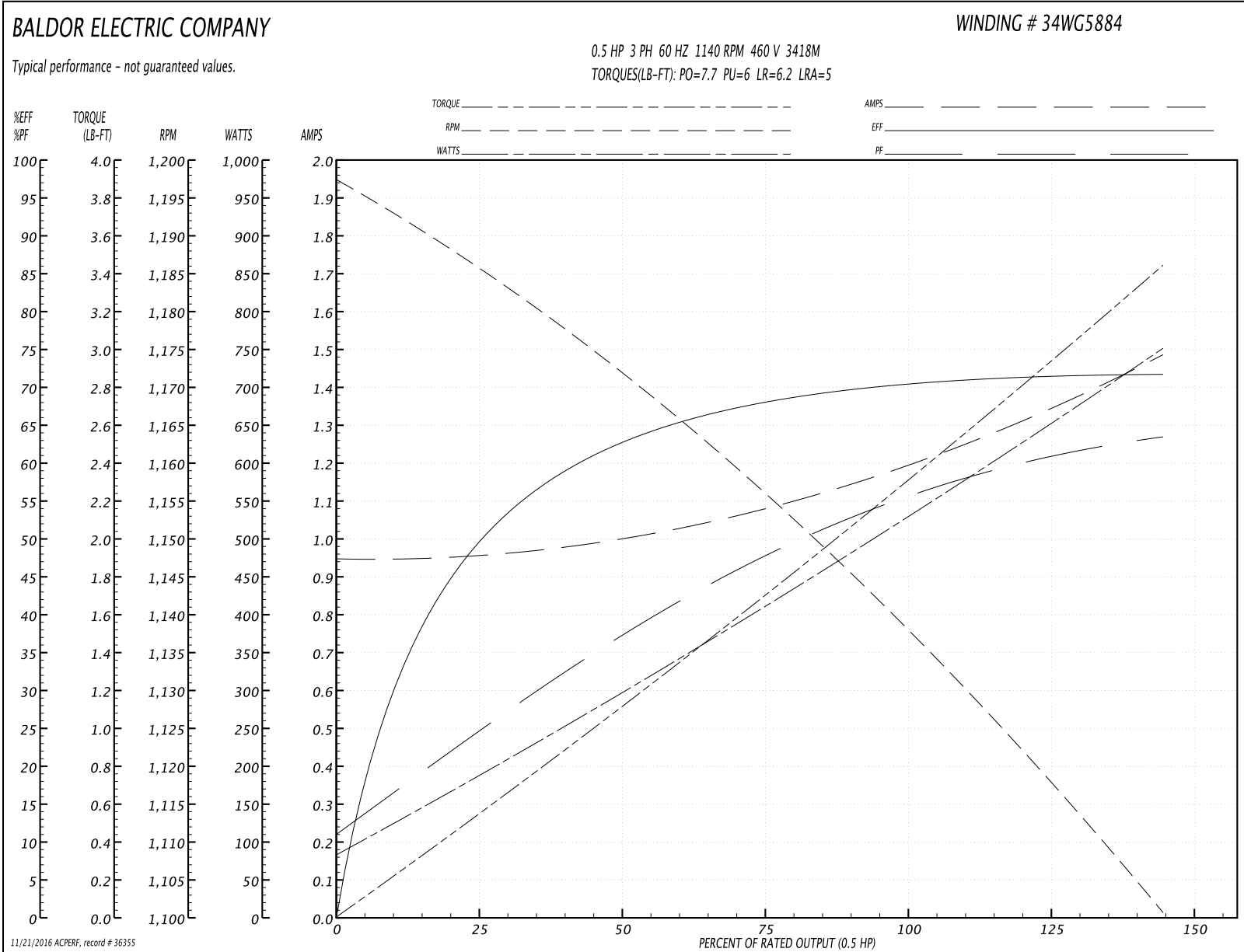
Winding: 34WG5884-R023	Type: 3418M	Enclosure: TEAO
-------------------------------	--------------------	------------------------

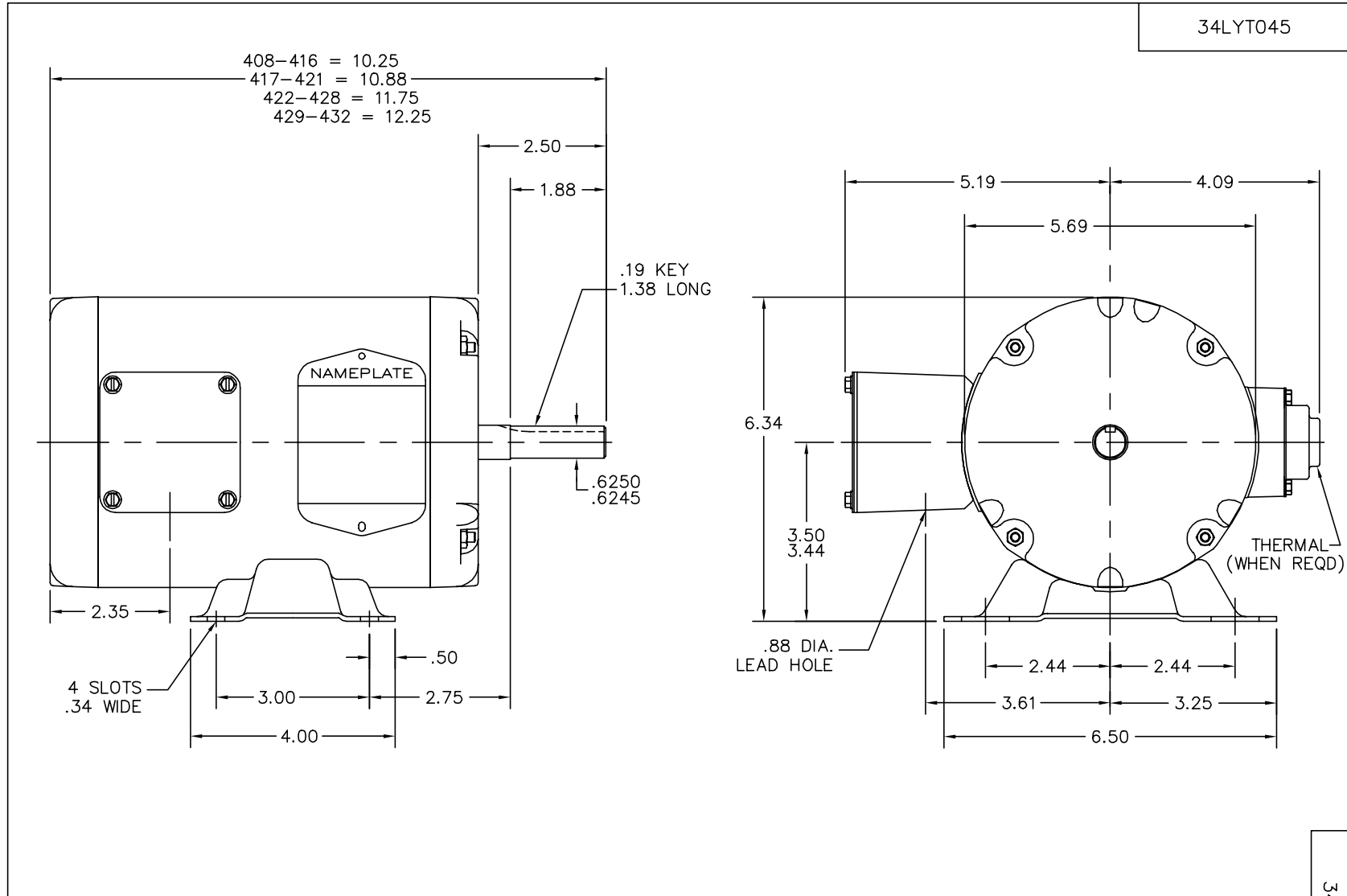
Nameplate Data				460 V, 60 Hz: High Voltage Connection	
Rated Output (HP)	.5			Full Load Torque	2.3 LB-FT
Volts	208-230/460			Start Configuration	direct on line
Full Load Amps	2.5-2.4/1.2			Breakdown Torque	7.7 LB-FT
R.P.M.	1140			Pull-up Torque	6 LB-FT
Hz	60	Phase	3	Locked-rotor Torque	6.2 LB-FT
NEMA Design Code	B	KVA Code	J	Starting Current	5 A
Service Factor (S.F.)	1			No-load Current	0.95 A
NEMA Nom. Eff.	72	Power Factor	55	Line-line Res. @ 25°C	39.6 Ω
Rating - Duty	40C AMB-CONT			Temp. Rise @ Rated Load	
				Locked-rotor Power Factor	63
				Rotor inertia	0.0428 LB-FT ²

Load Characteristics 460 V, 60 Hz, 0.5 HP

% of Rated Load	25	50	75	100	125	150
Power Factor	20	34	45	55	62	68
Efficiency	48	63	67	72	72	71
Speed	1185	1170	1155	1140	1120	1100
Line amperes	0.95	1	1.1	1.2	1.3	1.5

Performance Graph at 460V, 60Hz, 0.5HP Typical performance - Not guaranteed values





CUSTOMER IS RESPONSIBLE FOR DETERMINING THAT MOTOR PERFORMANCE IS SUITABLE IN THE APPLICATION.

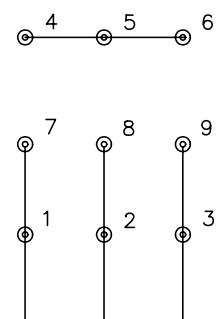
REV. DESC: UPDATED DRAWING			BALDOR ELECTRIC Co.
REV. LTR: D	VERSION: 01	TDR: 000000424850	
34LYT045	FILE: \AAA\00026\166	REVISED: 08:19:50 03/13/2007	STD HORZ MODEL 34M NEMA 56 TEAO
	MTL: -	BY: ENRSTO	

34LYT045

CD0005

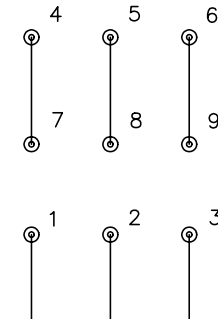


LOW VOLTAGE
(2Y)



LINE

HIGH VOLTAGE
(1Y)



LINE

NOTES:

1. INTERCHANGE ANY TWO LINE LEADS TO REVERSE ROTATION.
2. OPTIONAL THERMOSTATS ARE PROVIDED WHEN SPECIFIED.
3. ACTUAL NUMBER OF INTERNAL PARALLEL CIRCUITS MAY BE A MULTIPLE OF THOSE SHOWN ABOVE.
4. LEAD COLORS ARE OPTIONAL. LEADS MUST ALWAYS BE NUMBERED AS SHOWN.

REV. DESC: REVISE TO SHOW OPTIONAL COLORS			
REV. LTR: E	BY: JLP	REVISED: 01/19/99 10:15	TDR: 0171435
90000		FILE: AAA00005140	MDL: -
		MTL: -	

BALDOR ELECTRIC Co.

3PH, DV, 9 LEADS

CD0005