

BALDOR® • RELIANCE

Product Information Packet

AP7401

.13HP, 1725RPM, DC, 2424P, TENV

Part Detail							
Revision:	R	Status:	PRD/A	Change #:		Proprietary:	No
Type:	DC	Prod. Type:		Elec. Spec:	24WGZ105	CD Diagram:	CD1899
Enclosure:	TENV	Mfg Plant:		Mech. Spec:		Layout:	24A174Z105
Frame:		Mounting:		Poles:	///	Created Date:	
Base:		Rotation:	R	Insulation:	F	Eff. Date:	02-10-2015
Field Type:		Literature:		Elec. Diagram:		Replaced By:	

Nameplate NP1220A24

CAT.NO.	AP7401		
SER.NO.			
SPEC.	24A174Z105		
FRAME		TYPE	2424P
HP	.13	TE	
VOLTS	90DC		
AMP	1.30		
F.F.	1.43	CLASS	F
RPM	1725		
AMB.	40	DUTY	CONT
BRUSHES	2/BP5052BP01		
APRV-CE		APRV-CUL	

Parts List		
Part Number	Description	Quantity
SA092575	SA 24A174Z105	1.000 EA
AA008591	AA 24A174Z105	1.000 EA
LC0899A07	CONNECTION LABEL, DCPM CW ROTATION CE CO	1.000 EA
BP5052BP01SP	BRUSH, GRADE R884 NATIONAL CARBON (FOR 1	1.000 EA
24EP3107A02L	EP,24DC DE CL 6200 PARA	1.000 EA
HW5002A45	RETAINING RING,WALDES TRUARC N5002-118	1.000 EA
BA0166A00L	BASE,24 FRAME CLOW	1.000 EA
96XN2520A08	CSK/FL HD PHILLIPS 25-20 X 1/2	2.000 EA
MJ5019A01	ADHESIVE LOCTITE #680 WAS BAD4525	0.010 EA
24EP3102A01L	EP,24DC 0DE CL 0.63P4	1.000 EA
80XN1032A04	10-32 X 1/4 SET SCREW	2.000 EA
HW5109A13	WASHER, WAVE SPRING FOR 26MM BORE SMALLE	1.000 EA
WD4102A01	SR-6L-1 HEYCO STRN RELIEF OR 23MPO6L10 M	1.000 EA
55XT0632G03	6-32 X 0.187 RD HD PHILLIPS, SERRATED	1.000 EA
BP4529SP	BRUSH TUBE HOLDER:BBR1097	1.000 EA
BP4530SP	BRUSH TUBE CAP:BBR1094	1.000 EA
HA3100A10	THRUBOLT 10-32 X 6.250	2.000 EA
BCB1111-115	CABLE ASS'Y, 18-3-SJTO 24F	1.000 EA
NP1220A24	NP,DC STD AD NONE V CE CUL MOTOR ONLY	1.000 EA
MN416A01	TAG-INSTAL-MAINT no wire (1200/bx) 11/14	1.000 EA
LB1119N	WARNING LABEL	1.000 EA
CPA1000	PACKING GROUP STD. SINGLE	1.000 EA
MG2000A14	RUST VETO 342 RUST INHIBITOR	0.001 GA

Accessories		
Part Number	Description	Multiplier
BC115	FRAC DC ANALOG,115AC,50/60HZ,1.5A,1	E9
BC138	3478# KBWM-120 CN3000A57	E9
BC140	CS2934A,120/240VAC .5/1-HP SCR CTL,NEMA	E9
BC140-FBR	3479G KBMD-240D w/FBR CN3000A54	E9
BC141	CHASSIS MOUNT FSCN CN3000A20	E9
BR0100	PLUG IN RESISTOR	E9

DC Motor Performance Data

Record # 1765 - Typical performance - not guaranteed values

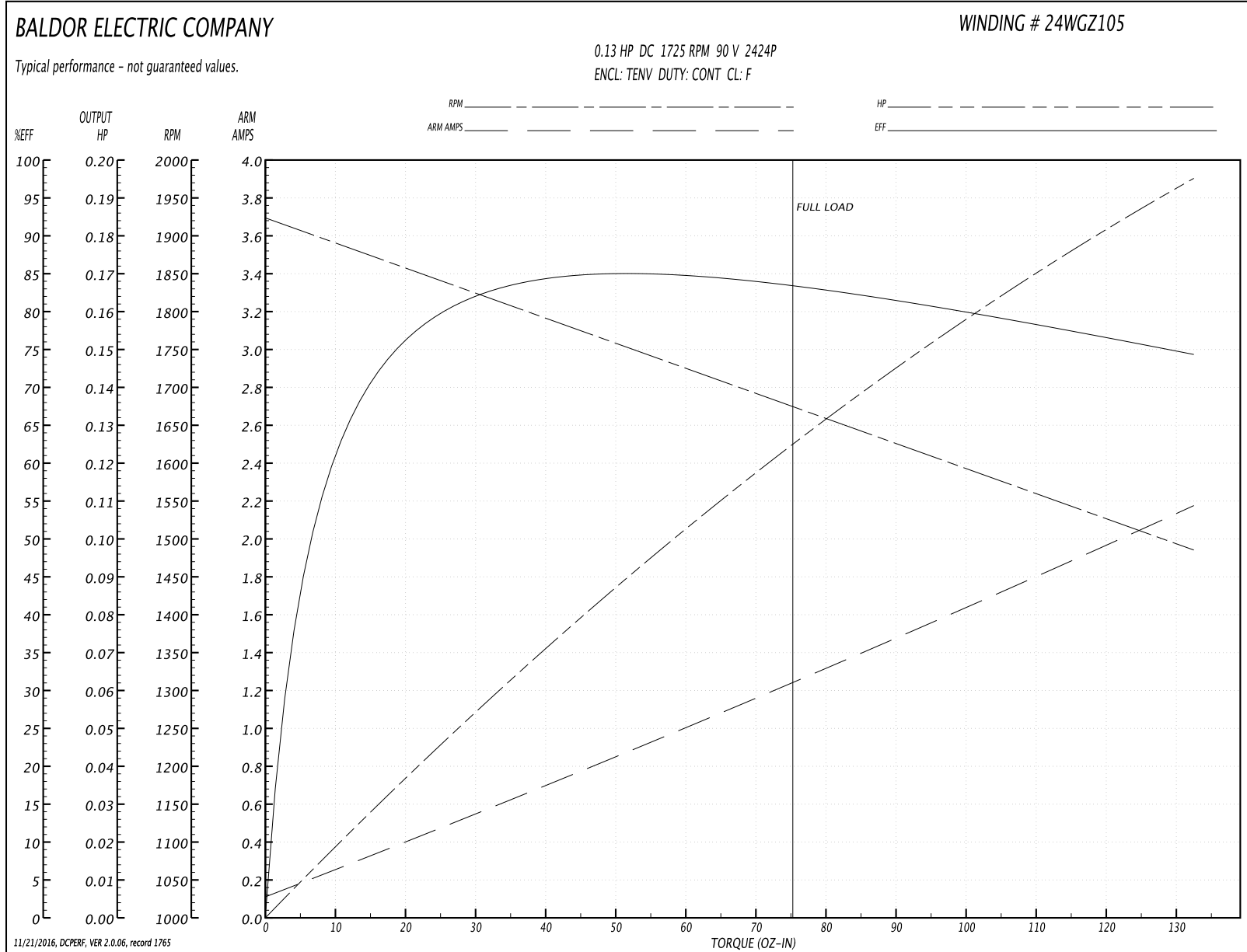
Winding: 24WGZ105-R001	Type: 2424P	Enclosure: TENV
-------------------------------	--------------------	------------------------

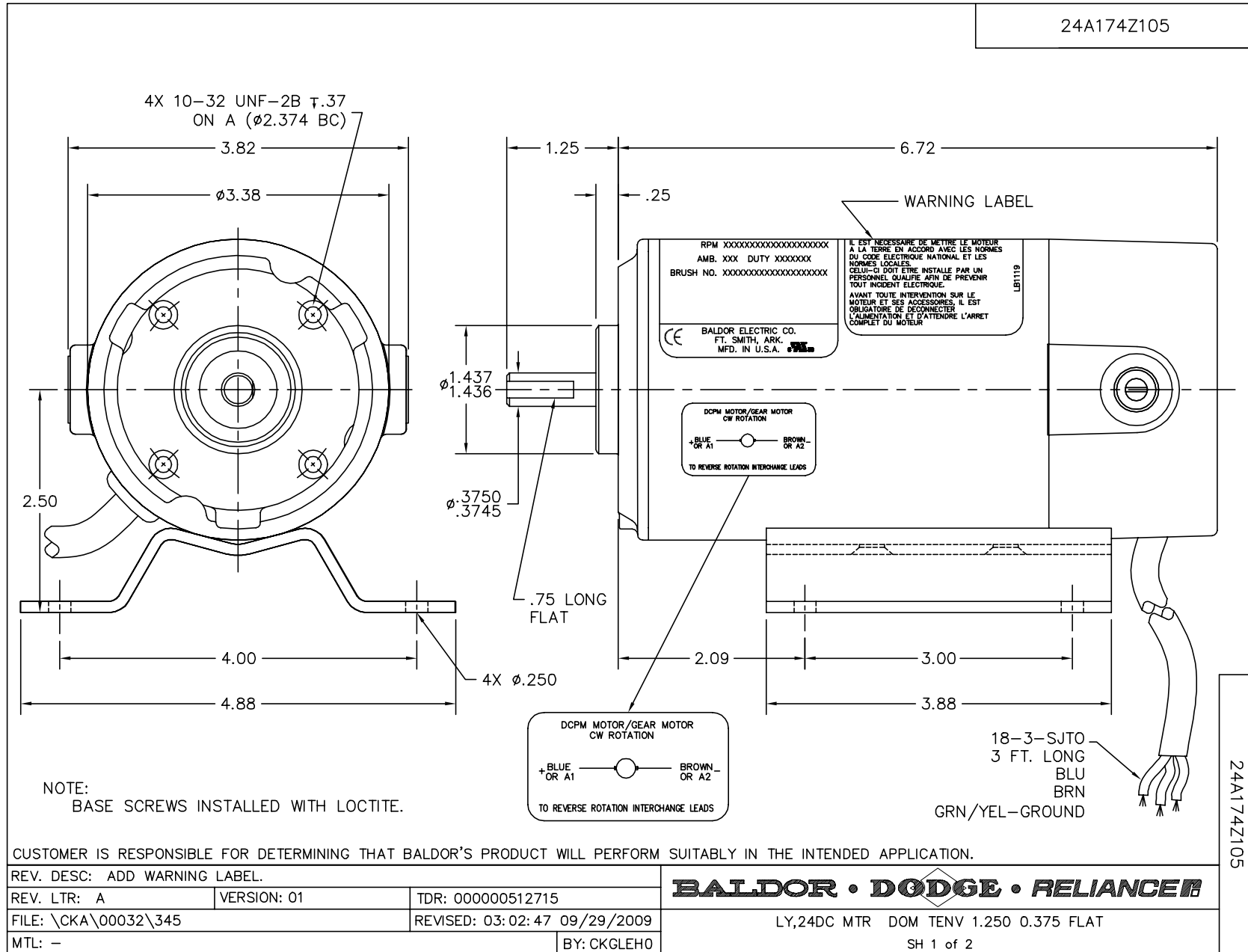
Nameplate Data		General Characteristics	
Rated Output (HP)	0.13	Armature Resistance @ 25°C	8.27 Ω
R.P.M.	1725		
Armature Volts	90		
Armature Amps	1.3		
Field Volts		Armature Inductance	29 mH
Field Amps		Armature Inertia	17.58 OI ²
Rating - Duty	40C AMB-CONT		
Form Factor	1.36	Maximum allowable inrush amps	14.5
		Temp. Rise @ Rated Load	110°C

Load Characteristics at 90 Armature Volts

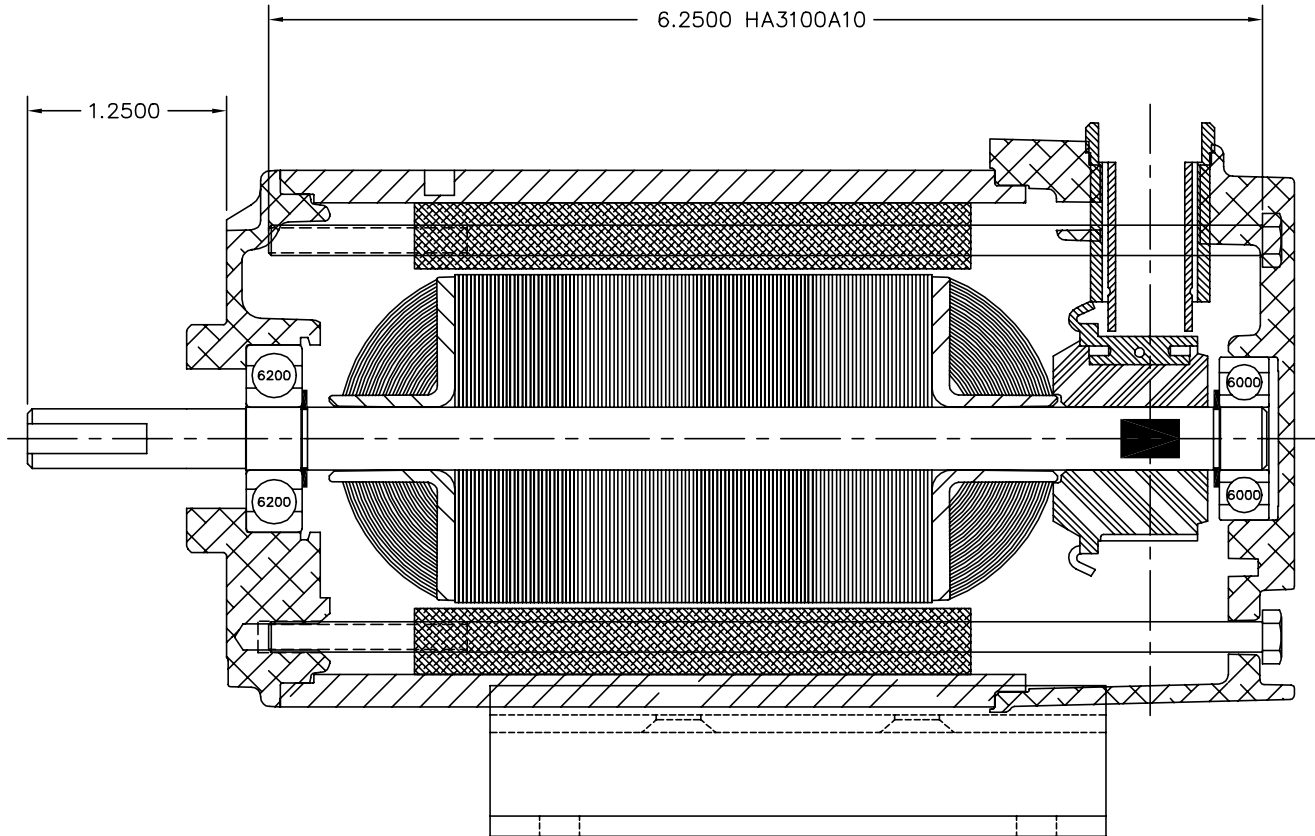
Load Point	1	2	3	4	5	6	7
Armature Amps	0.13	0.35	0.63	0.97	1.31	1.7	2.17
R.P.M.	1923	1864	1805	1733	1661	1584	1484
Torque (OZ-IN)	0	18.04	36.28	57.16	79.13	103.5	132.5

Performance Graph at 90.0 Arm V, 0.13HP Typical performance - Not guaranteed values





24A174Z105



24A174Z105

CUSTOMER IS RESPONSIBLE FOR DETERMINING THAT BALDOR'S PRODUCT WILL PERFORM SUITABLY IN THE INTENDED APPLICATION.

REV. DESC: ADD WARNING LABEL.

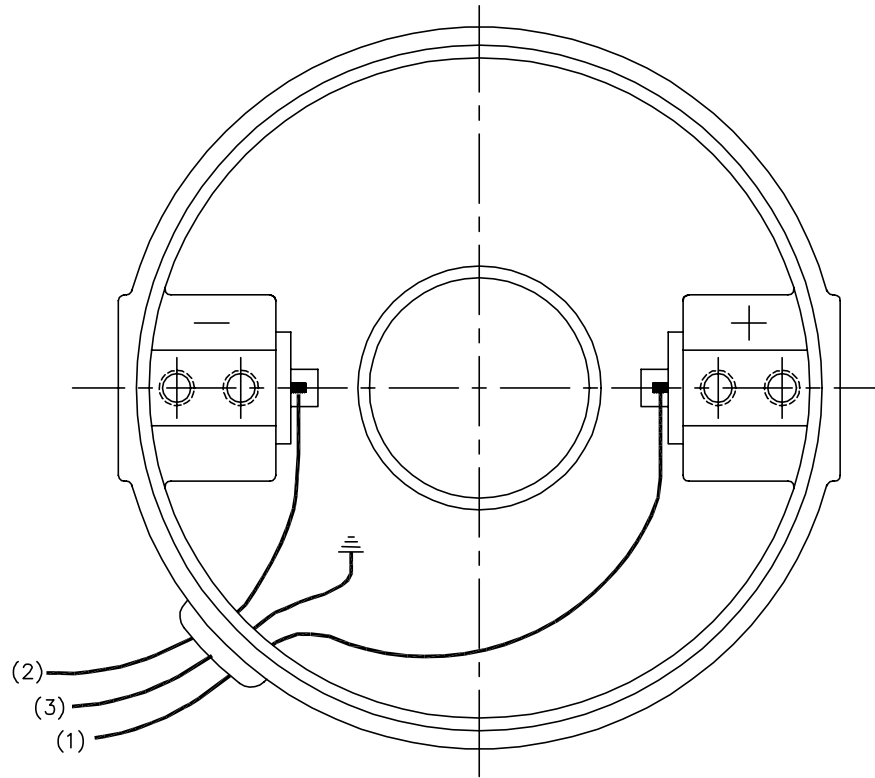
REV. LTR: A	VERSION: 01	TDR: 000000512715
FILE: \CKA\00032\345	REVISED: 03:02:48 09/29/2009	
MTL: -	BY: CKGLEH0	

BALDOR • DODGE • RELIANCE

LY,24DC MTR DOM TENV 1.250 0.375 FLAT

SH 2 of 2

CD1899



(1) COLOR MAY BE
RED
WHT
BLU

(2) COLOR MAY BE
BLK
BRN

(3) COLOR WHEN REQ.
GRN
GRN/YEL

VIEWS FROM
DRIVE END

REV. DESC: NEW			
REV. LTR: -	BY: PAW	REVISED: 09:06:34 09/16/2004	TDR: 341564
668100		FILE: CKA00025830	REF: CD1899
		MTL: -	

BALDOR ELECTRIC Co.

PM,2LD,REV,TANG,CK

CD1899