

# **BALDOR**® • **RELIANCE**

## **Product Information Packet**

# **CECP4312T**

**50HP, 1185RPM, 3PH, 60HZ, 365TC, TEFC, F1**

Part Detail							
Revision:	D	Status:	PRD/A	Change #:		Proprietary:	No
Type:	AC	Prod. Type:	A36062M	Elec. Spec:	A36WG0466	CD Diagram:	416820-002
Enclosure:	TEFC	Mfg Plant:		Mech. Spec:		Layout:	611740-503-SH1
Frame:	365TC	Mounting:	F1	Poles:	06	Created Date:	11-27-2013
Base:		Rotation:	R	Insulation:	F	Eff. Date:	02-02-2015
Leads:	3#4,6#6					Replaced By:	
Literature:		Elec. Diagram:					

Nameplate NP2496L	
MOBIL POLYREX EM	

Nameplate NP3238									
CAT NO	CECP4312T	SPEC NO.	A36-4049-0466						
HP	50	AMPS	123/61.7	VOLTS	230/460	DESIGN	B		
FRAME	365TC	RPM	1185	HZ	60	AMB	40	SF	1.15
D.E. BRG.DATA	6313	O.D.E. BRG.DATA	6313	PH	3	DUTY	CONT	INSUL.CLASS	F
D.E. BRG.	65BC03J30X	TYPE	P	ENCL	TEFC	CODE	F	NEMA NOM EFFICIENCY	94.1
O.D.E. BRG.	65BC03J30X	POWER FACTOR	81	MAX CORR KVAR	14.0	GUARANTEED EFFICIENCY	93		
3/4 LOAD EFF.	94.4	TEMP	= 180						
TEMP CODE	T3A	CT HZ	6-60	VT HZ	0-60				
CHP HZ	60-90								
INVERTER-TEMP-CODE	T3A								
SER.NO.		MOTOR WEIGHT	908						

Parts List		
Part Number	Description	Quantity
SA272932	SA A36-4049-0466	1.000 EA
RA259537	RA A36-4049-0466	1.000 EA
421948032	LABEL, MYLAR	1.000 EA
NP2496L	MOTOR LUBE NAMEPLATE	1.000 EA
000613006PU	N/P (RELEASE QTY 10,000) UL CSA LABEL	1.000 EA
000692000VD	LABEL WARNING	1.000 EA
NP3238	SS CP XEX SEVERE DUTY MAIN NP	1.000 EA
085922073B	BRKT 360 085922072WCC KB	1.000 EA
415072001B	CLAMP	1.000 EA
078559001A	+FANCV - 360	1.000 EA
034180012DA	KEY 1X4X1/4X1-1/2 L	1.000 EA
412118006A	DRAIN	1.000 EA
078550001M	FAN KB 60/30 (30) 360	1.000 EA
004824015A	GREASE POLYREX EM	0.540 LB
032018012DK	HHCS 1/2-13X1-1/2 PLTD.	4.000 EA
032018008AK	HHCS 1/4-20X1 PLATED	4.000 EA
032018024CK	HHCS 3/8-16X3 PLTD.	3.000 EA
415096002A	CPLG 1/8 HEX TYPE	1.000 EA
415045002E	SLGR	1.000 EA
410700004F	WSHR	1.000 EA
034530052AB	P/NIP 1/8X6-1/2 GALV.	1.000 EA
034690002AB	"unbulked" PPLG 1/4" PLTD.	1.000 EA
034690002AB	"unbulked" PPLG 1/4" PLTD.	1.000 EA
085922070B	BRKT 360 085922069WCA	1.000 EA

Parts List (continued)		
Part Number	Description	Quantity
032018012DK	HHCS 1/2-13X1-1/2 PLTD.	4.000 EA
032018024CK	HHCS 3/8-16X3 PLTD.	3.000 EA
415045002E	SLGR	1.000 EA
412118006A	DRAIN	1.000 EA
076708000BB	C/B - 360	1.000 EA
065776000C	TERBD 320-400	1.000 EA
076709000A	C/B - 360	1.000 EA
067053000B	GASK 320-400	1.000 EA
418150003A	GREASE FITTING CAP	1.000 EA
032018010CK	HHCS 3/8-16X1-1/4 PLTD.	4.000 EA
035000001A	ALFTG 1/8" 1610-BL	1.000 EA
415000103D	T/LUG #4AWG-1/0AWG W/HOLE FOR .250 BOLT	1.000 EA
033512008LB	HHTTS 1/4-20X1 PLATED	4.000 EA
406099000A	PLUG - FAN COVER 320-440	1.000 EA
034000014AB	WSH ID.406 OD.812 TH.065	4.000 EA
033512004LB	HHTTS 1/4-20X1/2 PLTD.	1.000 EA
048977006B	GRFTG - XP	1.000 EA
035000001A	ALFTG 1/8" 1610-BL	1.000 EA
418150003A	GREASE FITTING CAP	1.000 EA
MG1025N19	WILKO 778.50 BLUE GREEN - 55 GAL DRUMS	0.250 GA
033775004EA	DRSCR #6-1/4 304 S.S.	4.000 EA
034180034HA	KEY 5/8X5/8X4-1/4 L	1.000 EA
HW1000A32	5/16 FL WASHER WIDE,ID=.344,OD=1.125	3.000 EA
032509020C	CARRIAGE BOLT - 360	3.000 EA

Product Information Packet: CECP4312T - 50HP,1185RPM,3PH,60HZ,365TC,TEFC,F1

---

LB1449	DIV-2/NEC WARNING LABEL	1.000 EA
14PA1000	PACKAGING 314 GROUP COMBINED PRINT	1.000 EA

REL. S.O.	FRAME	HP	TYPE	PHASE/HERTZ	RPM	VOLTS
	365T	50	P	3/60	1185	230/460
AMPS	DUTY	AMB °C/ INSUL.	S.F.	NEMA DESIGN	CODE LETTER	ENCL.
123/61.7	CONT	40/B	1.15	B	F	XPFC
E/S	ROTOR	TEST S.O.	TEST DATE	STATOR RES. @25 °C OHMS (BETWEEN LINES)		
892104	418141-74EE	---	---	.0325/.130		

PERFORMANCE

LOAD	HP	AMPERES	RPM	POWER FACTOR %	EFFICIENCY %
NO LOAD	0	21.3	1200	5.08	0
1/4	12.5	26.2	1197	49.4	90.8
2/4	25.0	35.6	1193	70.0	93.9
3/4	37.5	47.8	1190	77.8	94.4
4/4	50.0	61.7	1186	80.6	94.2
5/4	62.5	76.7	1182	81.5	93.6

SPEED TORQUE

	RPM	TORQUE % FULL LOAD	TORQUE LB.-FT.	AMPERES
LOCKED ROTOR	0	154	340	345
PULL UP	650	133	295	305
BREAKDOWN	1133	230	510	191
FULL LOAD	1186	100	221	61.7

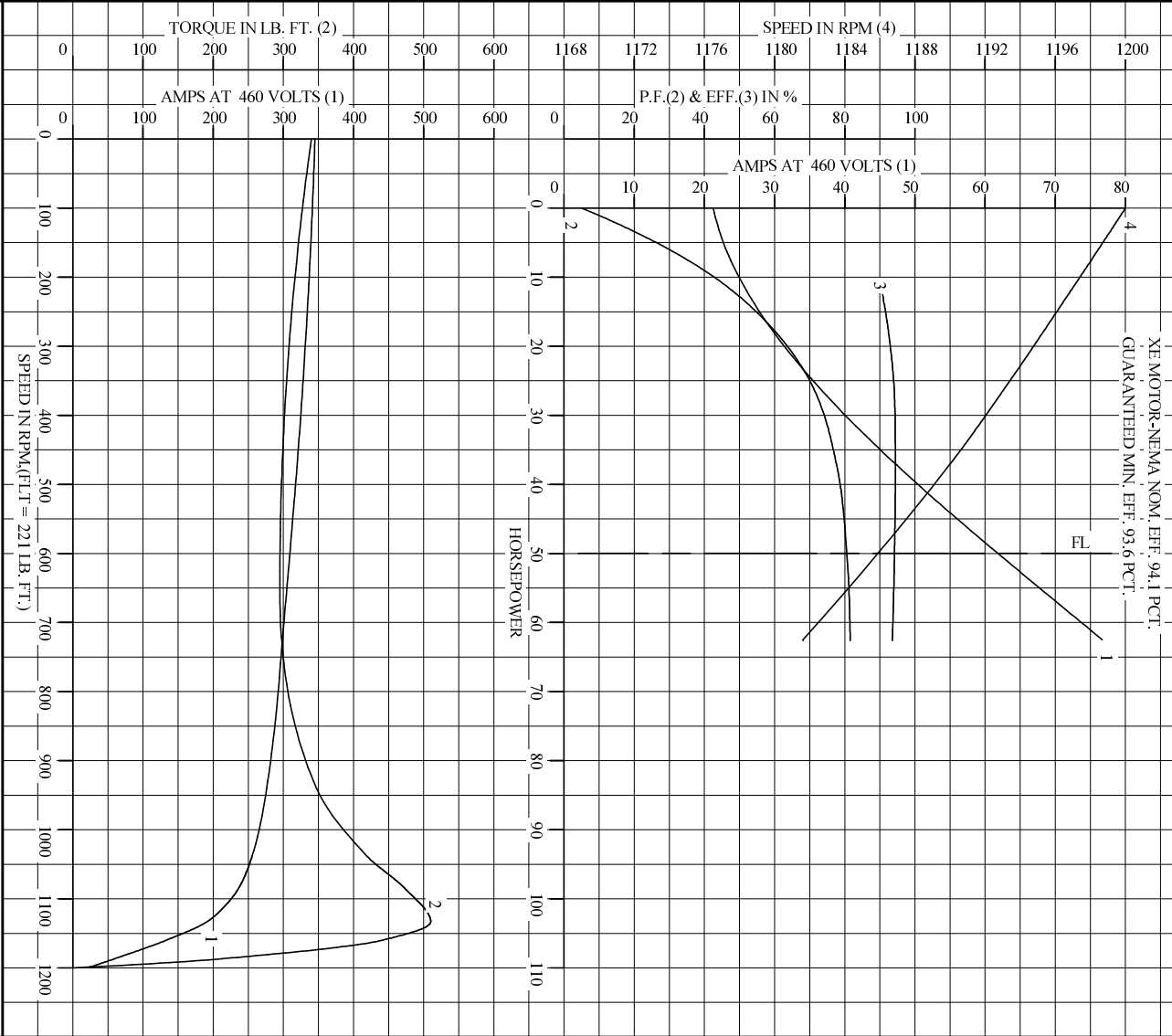
AMPERES SHOWN FOR 460. VOLT CONNECTION. IF OTHER VOLTAGE CONNECTIONS ARE AVAILABLE, THE AMPERES WILL VARY INVERSELY WITH THE RATED VOLTAGE

REMARKS: TYPICAL DATA  
 XE MOTOR-NEMA NOM. EFF. 94.1 PCT.  
 GUARANTEED MIN. EFF. 93.6 PCT.

<b>BALDOR</b>	DR. BY	W. L. SMITH	<b>A-C MOTOR PERFORMANCE DATA</b>
	CK. BY	J. J. HARRISON	
	APP. BY	W. L. SMITH	<b>A36WG0466-R001</b>
	DATE	12/07/05	ISSUE DATE 12/14/10



REL. S.O. \_\_\_\_\_ RPM 1185 S.F. 1.15 ROTOR 418141-74EE  
 FRAME 365T VOLTS 230/460 NEMA DESIGN B TEST S.O. TYPICAL DATA  
 HP 50 AMPS 123/61.7 CODE LETTER F TEST DATE ---  
 TYPE P DUTY CONT ENCLOSURE XPFC STATOR RES. @ 25 °C .0325/.130  
 PHASE/HERTZ 3/60 AMB °C/INSUL 40/B E/S 892104 OHMS (BETWEEN LINES)



AMPERES SHOWN FOR 460 VOLT CONNECTION, IF OTHER VOLTAGE CONNECTIONS ARE AVAILABLE, THE AMPERES WILL VARY INVERSELY WITH THE RATED VOLTAGE.

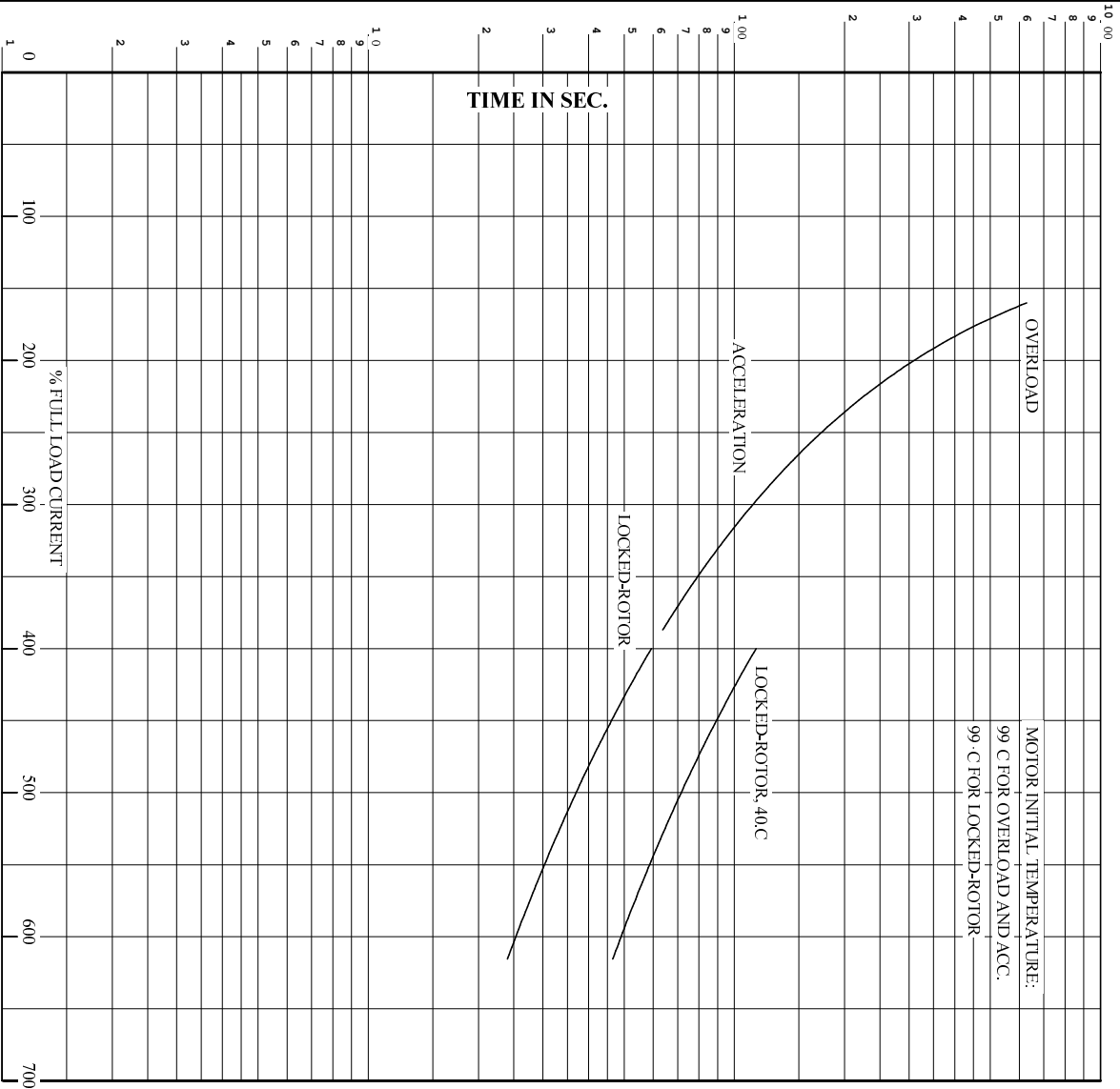
**BALDOR**

DR. BY W.L. SMITH  
 CK. BY J.H. HARRISON  
 APP. BY W.L. SMITH  
 DATE 12/07/05

**A-C MOTOR PERFORMANCE CURVES** A36WG0466-R001  
 ISSUE DATE 12/14/10

Printed on 12/14/10 18:22 @ psecs-motoreng

REL. S.O. RPM 1185 S.F. 1.15 ROTOR 418141-74EE  
 FRAME 365T VOLTS 230/460 NEMA DESIGN B TEST S.O. TYPICAL DATA  
 HP 50 AMPS 123/61.7 CODE LETTER F TEST DATE ---  
 TYPE P DUTY CONT ENCLOSURE XEFC STATOR RES. @ 25 °C. 0325/.130  
 PHASE/HERTZ 3/60 AMB °C/INSUL 40/B E/S 892104 OHMS (BETWEEN LINES)



REMARKS: THERMAL LIMIT CURVE  
 XE MOTOR-NEMA NOM. EFF. 94.1 PCT.  
 GUARANTEED MIN. EFF. 93.6 PCT.

AMPERES SHOWN FOR 460 VOLT CONNECTION, IF OTHER VOLTAGE CONNECTIONS ARE AVAILABLE, THE AMPERES WILL VARY INVERSELY WITH THE RATED VOLTAGE.

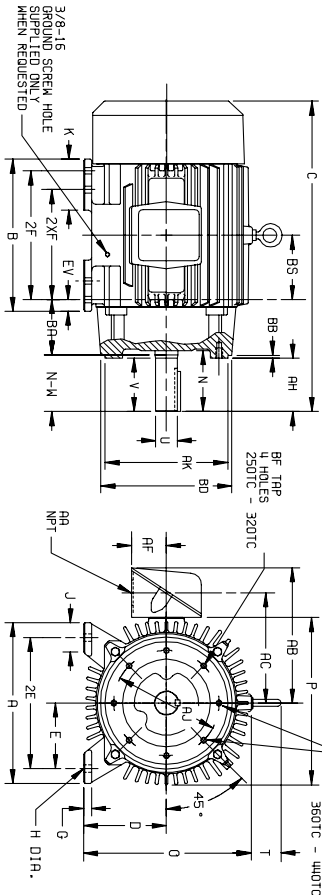


DR. BY W.L. SMITH  
 CK. BY J.HARRISON  
 App. BY W.L. SMITH  
 DATE 120705

**A-C MOTOR**  
**PERFORMANCE** A36WG0466-R001  
**CURVES** ISSUE DATE 12/14/10

611740-503-SHI

**DUTY MASTER ALTERNATING CURRENT MOTORS**  
 SQUIRREL-CAGE INDUCTION  
 ENCLOSURE: TOTALLY ENCLOSED  
 MOUNTING: FOOT, NEMA "C" FACE  
 FRAMES 250TC THRU 440TC  
 COOLING: FAN COOLED  
 CAST IRON CONSTRUCTION



DIMENSIONS ARE IN INCHES. SEE SHEET 2 FOR DIMENSIONS IN MILLIMETERS.

FRAME	A	D(2)	E	G	H	J	K	EV	O	P	T	CAST IRON TERMINAL BOX				MIN. DEPTH		AK				
												AA	AB	AC	AF	BA	BB	BD	BF	AJ	AK	
254TC-256TC	13.250	6.25	5.00	.75	.56	2.50	---	1.00	13.25	13.25	2.44	1-1/4	4.10	8.81	2.50	4.75	2.25	9.00	1/2-13	.75	7.25	8.500
284TC-286TC	13.750	7.00	5.50	.75	.56	2.50	---	1.00	14.75	14.88	2.44	1-1/2	21.62	10.19	3.00	4.75	2.25	11.25	1/2-13	.75	9.00	10.500
324TC-326TC	15.500	8.00	6.25	.88	.69	2.75	4.50	1.38	16.69	17.00	2.44	2	15.44	11.69	3.62	5.25	2.5	13.12	5/8-11	.94	11.00	12.500
364TC-365TC	17.000	9.00	7.00	.98	.69	2.75	3.88	1.38	18.50	19.50	2.44	3	18.00	13.81	4.12	5.88	2.5	13.00	5/8-11	.94	11.00	12.500
404TC-405TC	17.000	10.00	8.00	1.12	.81	3.25	4.62	1.13	21.31	22.50	2.94	3	19.25	15.06	4.12	6.62	2.5	13.12	5/8-11	.94	11.00	12.500
444TC-445TC	21.000	11.00	9.00	1.12	.81	3.25	5.25	1.25	23.38	25.25	3.25	3	22.19	17.44	6.00	7.50	2.5	16.75	5/8-11	.94	14.00	16.000

FRAME	C	BS	B	2F	(4)	N	NI	N-W(7)	U(3)	V	SG	LGTH	WEIGHT
SIZE					ZF								LBSS. (5)
254TC	29.06	5.00	12.00	---	8.25	4.06	3.75	4.00	1.625	3.75	3.75	2.88	345
284TC	29.06	5.00	12.00	10.00	---	4.06	3.75	4.00	1.625	3.75	3.75	2.88	335
284TC	27.44	5.50	13.00	---	9.50	5.00	4.38	4.62	1.875	4.38	5.00	3.25	485
284TC	26.06	5.50	13.00	---	9.50	3.62	3.00	3.25	1.625	3.00	3.75	1.88	485
286TC	27.44	5.50	13.00	11.00	---	5.00	4.38	4.62	1.875	4.38	5.00	3.25	500
286TC	26.06	5.50	13.00	---	9.50	3.62	3.00	3.25	1.625	3.00	3.75	1.88	500
324TC	50.44	6.00	14.75	---	10.50	5.62	5.00	5.25	2.125	5.00	5.00	3.88	605
324TC	50.44	6.00	14.75	---	10.50	4.12	3.50	3.75	1.875	3.50	3.00	3.88	605
326TC	50.44	6.00	14.75	12.00	---	5.62	5.00	5.25	2.125	5.00	5.00	3.88	645
326TC	50.44	6.00	14.75	---	10.50	4.12	3.50	3.75	1.875	3.50	3.00	3.88	645
364TC	33.44	6.12	13.00	---	11.25	6.25	3.62	3.88	2.375	3.62	3.25	2.00	874
364TC	33.44	6.12	13.00	---	11.25	4.12	3.50	3.75	1.875	3.50	3.00	2.00	874
365TC	31.31	6.12	13.00	12.25	---	6.25	3.62	3.88	2.375	3.62	3.25	2.00	805
365TC	31.31	6.12	13.00	---	12.25	4.12	3.50	3.75	1.875	3.50	3.00	2.00	805
404TC	38.31	6.88	16.00	---	12.25	7.50	7.00	7.25	2.875	7.00	7.50	5.62	1265
404TC	38.31	6.88	16.00	---	12.25	4.50	4.00	4.25	2.125	4.00	3.50	5.62	1325
403TC	38.31	6.88	16.00	13.75	---	7.50	7.00	7.25	2.875	7.00	7.50	5.62	1325
403TC	38.31	6.88	16.00	---	14.50	4.50	4.00	4.25	2.125	4.00	3.50	5.62	1388
444TC	40.88	8.25	19.00	---	14.50	8.19	8.25	8.25	3.375	8.25	8.25	7.25	1725
444TC	40.88	8.25	19.00	---	14.50	6.25	6.25	6.25	3.375	6.25	6.25	8.88	1925
445TC	40.88	8.25	19.00	16.50	---	8.25	8.25	8.25	3.375	8.25	8.25	8.88	1925
445TC	40.88	8.25	19.00	---	16.50	5.19	4.50	4.75	2.375	4.50	4.50	3.00	1912

- (1) SPECIAL DIMENSIONS APPLYING TO THIS ORDER ON THIS LINE. CONDUIT BOX LOCATED ON OPPOSITE SIDE WHEN F-2-W-1, W-4-W-5-W-7, OR C-1 MOUNTING IS SPECIFIED.
- (2) "D" VARIES  $\frac{1}{2}$ 50TC - 320TC +.00, -.03  
 $\frac{1}{2}$ 360TC - 440TC +.00, -.06.
- (3) "U" VARIES  $\frac{1}{2}$ 425 AND LARGER +.000, -.005  
 $\frac{1}{2}$ HP TO 1.625 DIA. +.000, -.001.
- (4) ALL FRAMES HAVE EIGHT MOUNTING HOLES FOR DUAL MOUNTING. MAXIMUM PERMISSIBLE SHAFT RUNOUT WHEN MEASURED AT END OF STD. SHAFT EXTENSION IS .002 T.I.R. UP TO AND INCLUDING 1.625 DIA. AND .003 T.I.R. 1.625 DIA. TO 5 INCH DIA.
- (5) MOTOR WEIGHTS MAY VARY BY 15% DEPENDING UPON RATING.
- (6) "AK" VARIES  $\frac{1}{2}$ 250TC - 280TC +.000, -.003  
 $\frac{1}{2}$ 320TC - 440TC +.000, -.005
- (7) "N-W" VARIES +.00, -.25. FACE RUNOUT AND  $\frac{1}{2}$ 320TC - 280TC INCL. .004 MAX. T.I.R. ECCENTRICITY  $\frac{1}{2}$ 320TC - 440TC INCL. .007 MAX. T.I.R. FACTORY.

FRAME \_\_\_\_\_ TYPE \_\_\_\_\_ CERTIFIED FOR \_\_\_\_\_  
 ORDER \_\_\_\_\_ ITEM \_\_\_\_\_ HP \_\_\_\_\_ RPM \_\_\_\_\_ PH \_\_\_\_\_ HZ \_\_\_\_\_ VOLTS \_\_\_\_\_  
 SALES ORDER \_\_\_\_\_ APPROVED BY \_\_\_\_\_ DATE \_\_\_\_\_

IHS-503-0471119

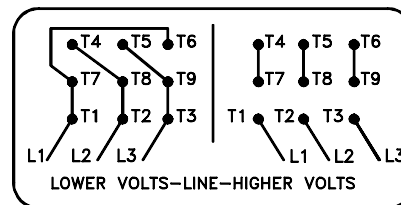
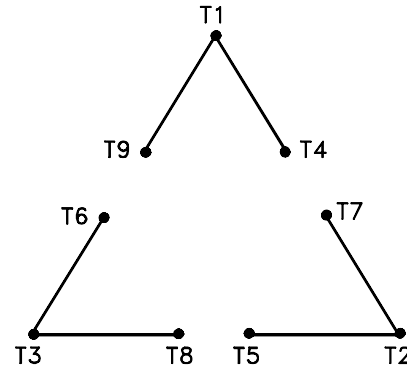
CUSTOMER IS RESPONSIBLE FOR DETERMINING THAT MOTOR PERFORMANCE IS SUITABLE IN THE APPLICATION.

REV. DESC: REMOVING TITLEBLOCK	VERSION: 01	TDR: 000000448517
REV. LTR: A	REVISED: 14:21:04 11/07/2007	BY: CONBPM
FILE: \RAG\00004\530		
MTL: -		

**BALDOR • DODGE • RELIANCE**  
 DIM SHT 250TC-440TC TEFC FT MTG C FACE T & TS SGL EXT XT

416820-002

A-C MOTOR  
 CONNECTION DIAGRAM  
 STANDARD 9 LEAD DELTA-CONNECTED



(N.P. 1575-B)

416820-002

REV. DESC: LOADED TO BUS, C/R 335225		
REV. LTR: -	VERSION: 00	TDR: 000000538207
FILE: \MGA\00000\661	REVISED: 10: 47: 51 04/30/2010	
MTL: -	BY: RAGRA	

**BALDOR**

CONN DIAG - STANDARD 9 LEAD, DELTA-CONNECTED

SH 1 of 1

Marketing maintained PDF of MN408:

<http://www.baldor.com/support/Literature/Load.ashx/MN408?ManNumber=MN408>

Marketing maintained PDF of MN416:

<http://www.baldor.com/support/Literature/Load.ashx/MN416?ManNumber=MN416>