

BALDOR® • **RELIANCE**

Product Information Packet

CEM7084T-I

40//30HP, 1180//985RPM, 3PH, 60//50HZ, 364TC

Part Detail							
Revision:	H	Status:	PRD/A	Change #:		Proprietary:	No
Type:	AC	Prod. Type:	A36064M	Elec. Spec:	A36WG0792	CD Diagram:	416820-002
Enclosure:	TEFC	Mfg Plant:		Mech. Spec:		Layout:	616512-502
Frame:	364TC	Mounting:	F1	Poles:	06	Created Date:	09-27-2014
Base:		Rotation:	R	Insulation:	B	Eff. Date:	09-30-2016
Leads:	3#6,6#8					Replaced By:	
Literature:		Elec. Diagram:					

Nameplate NP2496L	
MOBIL POLYREX EM	

Nameplate 000613006PC

CLASS I GROUP	C D X
CLASS II GROUP	X X X
OPERATING TEMP CODE	T3C

Nameplate NP2293L			
CAT.NO.	CEM7084T-I	SPEC NO.	A36-5812-0792
HP	40//30	PHASE	3
RPM	1180//985	DESIGN	B
VOLTS	230/460//190/380	TYPE	P
AMPS	94.4/47.2//86.6/43.3	AMB	40
DRIVE END BEARING	65BC03JPP30A	SF	1.15
OPP D.E. BEARING	65BC03J30X	DUTY	CONT
SER.NO.		INSUL.CLASS	F
		ENCL	TEFC
		CODE	F
		NEMA-NOM-EFFICIENCY	94.1
			NEMA MG-1 PT 5, IP55
			SUIT FOR 55C @ 1.00SF, SUITABLE FOR 208V
		FRAME	364TC
		MOTOR WEIGHT	886

Parts List		
Part Number	Description	Quantity
SA290519	SA A36-5812-0792	1.000 EA
RA276674	RA A36-5812-0792	1.000 EA
421948032	LABEL, MYLAR	1.000 EA
NP2496L	MOTOR LUBE NAMEPLATE	1.000 EA
000692000VD	LABEL WARNING	1.000 EA
000613006PC	N/P U/L (REL QTY 500)	1.000 EA
NP2293L	BALDOR RELIANCE INDUST. MTR,SS,CSA-C US,	1.000 EA
603284001S	SLGR - 360	1.000 EA
609158001B	SLGR - 360	1.000 EA
087793050B	BRKT 360 087793050WCB	1.000 EA
415072001B	CLAMP	1.000 EA
078559001A	+FANCV - 360	1.000 EA
034180012DA	KEY 1X4X1/4X1-1/2 L	1.000 EA
078549001R	FAN 360 078549001F	1.000 EA
004824015A	GREASE POLYREX EM	0.540 LB
032018008AK	HHCS 1/4-20X1 PLATED	4.000 EA
032018018CK	HHCS 3/8-16X2-1/4 PLTD.	2.000 EA
415096002A	CPLG 1/8 HEX TYPE	1.000 EA
410700004F	WSHR	1.000 EA
034017016AB	LCKW 1/2" PLATED	4.000 EA
034017012AB	LCKW 1/4 STD. PLATED	4.000 EA
032130020DB	HSKCS 1/2-13X2-1/2 PLTD.	4.000 EA
034017014AB	LCKW 3/8 STD. PLATED	2.000 EA
034530056AC	P/NIP 1/8X7L GALV-365	1.000 EA

Parts List (continued)		
Part Number	Description	Quantity
034690001AB	SQHDPLG, COND	1.000 EA
034690002AB	"unbulked" PPLG 1/4" PLTD.	1.000 EA
034690001AB	SQHDPLG, COND	1.000 EA
034690002AB	"unbulked" PPLG 1/4" PLTD.	1.000 EA
087793051A	BRKT 360 087793051WCB	1.000 EA
032018018CK	HHCS 3/8-16X2-1/4 PLTD.	2.000 EA
034017016AB	LCKW 1/2" PLATED	4.000 EA
034017014AB	LCKW 3/8 STD. PLATED	2.000 EA
032130020DB	HSCHS 1/2-13X2-1/2 PLTD.	4.000 EA
16CB1001A01	CONDUIT BOX MACH. GROUP C MTRS	1.000 EA
16CB1501A01	CONDUIT BOX LID MACH.GRP C MTRS 16CB1501	1.000 EA
032130012EB	HSCHS 5/8-11X1-1/2 PLTD.	8.000 EA
034017018AB	LCKW 5/8"	8.000 EA
WD1000B92	T&B TTC2, GROUND CONNECTOR	1.000 EA
032130014CB	HSCHS 3/8-16X1-3/4 PLTD.	4.000 EA
034017014AB	LCKW 3/8 STD. PLATED	4.000 EA
406099000A	PLUG - FAN COVER 320-440	1.000 EA
406055001C	GRFTG	1.000 EA
MG1025N19	WILKO 778.50 BLUE GREEN - 55 GAL DRUMS	0.250 GA
033775004EA	DRSCR #6-1/4 304 S.S.	8.000 EA
034180034HA	KEY 5/8X5/8X4-1/4 L	1.000 EA
HW1000A32	5/16 FL WASHER WIDE, ID=.344, OD=1.125	3.000 EA
032509020C	CARRIAGE BOLT - 360	3.000 EA
14PA1000	PACKAGING 314 GROUP COMBINED PRINT	1.000 EA

LB1073	ALUM XP CAUTION LABEL	1.000 EA
--------	-----------------------	----------

REL. S.O.	FRAME	HP	TYPE	PHASE/HERTZ	RPM	VOLTS
	364T	40	P	3/60	1180	230/460
AMPS	DUTY	AMB °C/INSUL.	S.F.	NEMA DESIGN	CODE LETTER	ENCL.
94.4/47.2	CONT	40/B	1.15	B	F	FCXE
E/S	ROTOR	TEST S.O.	TEST DATE	STATOR RES. @25 °C OHMS (BETWEEN LINES)		
491521	418141083BE	---	---	.0460/.184		

PERFORMANCE


LOAD	HP	AMPERES	RPM	POWER FACTOR %	EFFICIENCY %
NO LOAD	0	15.6	1200	4.71	0
1/4	10.0	19.1	1196	53.5	91.9
2/4	20.0	26.8	1192	74.0	94.4
3/4	30.0	36.4	1187	81.5	94.5
4/4	40.0	47.2	1183	84.3	94.1
5/4	50.0	59.2	1177	84.8	93.2

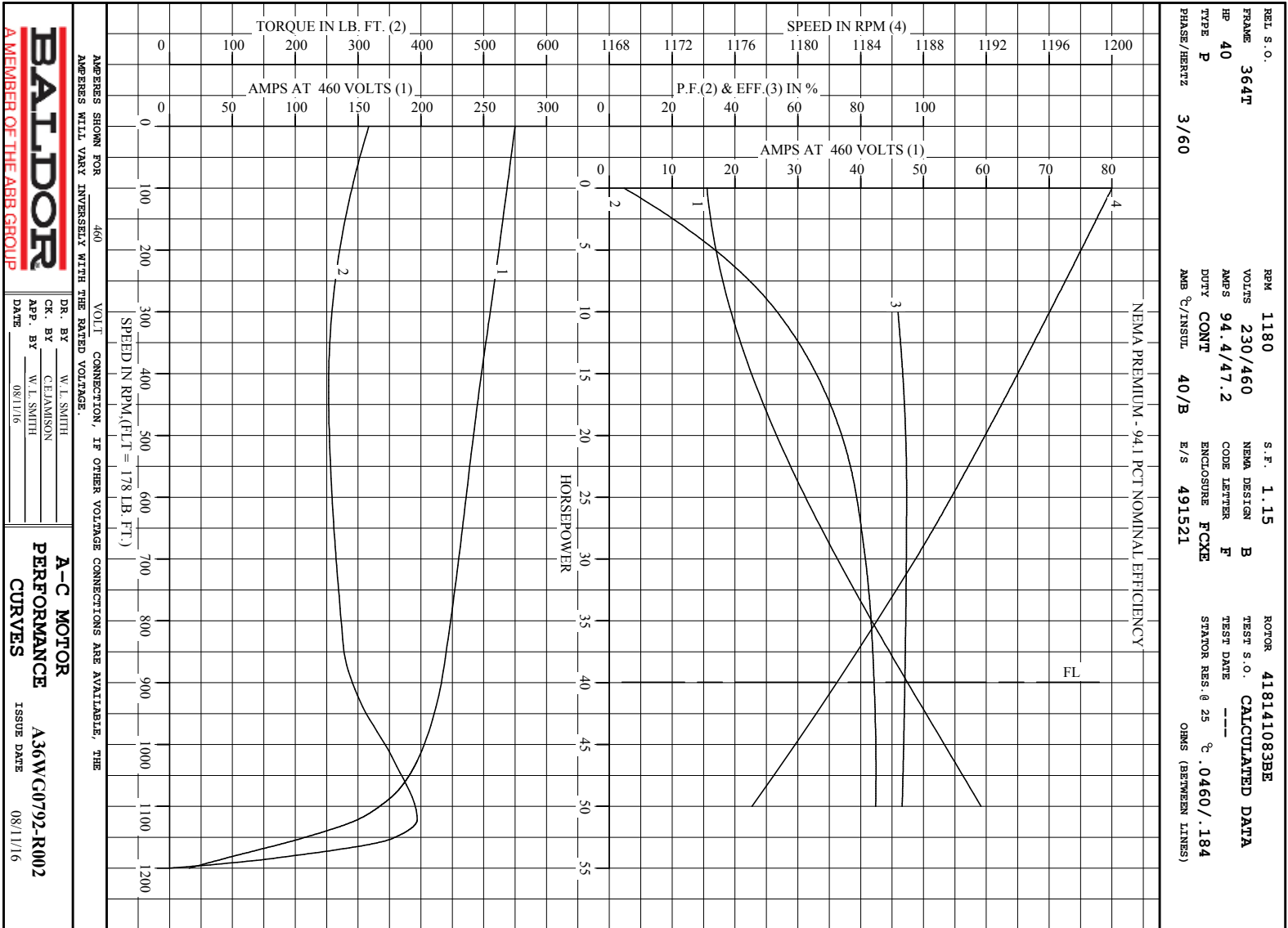
SPEED TORQUE

	RPM	TORQUE % FULL LOAD	TORQUE LB.-FT.	AMPERES
LOCKED ROTOR	0	179	317	275
PULL UP	420	143	253	247
BREAKDOWN	1121	222	394	150
FULL LOAD	1183	100	178	47.2

AMPERES SHOWN FOR 460. VOLT CONNECTION. IF OTHER VOLTAGE CONNECTIONS ARE AVAILABLE, THE AMPERES WILL VARY INVERSELY WITH THE RATED VOLTAGE

REMARKS: CALCULATED DATA
NEMA PREMIUM - 94.1 PCT NOMINAL EFFICIENCY

 <p>A MEMBER OF THE ABB GROUP</p>	DR. BY <u>W. L. SMITH</u> CR. BY <u>C.E. JAMISON</u> APP. BY <u>W. L. SMITH</u> DATE <u>08/11/16</u>	A-C MOTOR PERFORMANCE DATA A36WG0792-R002 ISSUE DATE 08/11/16
---	---	--



AMPS SHOWN FOR 460 VOLTS WILL VARY INVERSELY WITH THE RATED VOLTAGE.

VOLT CONNECTION, IF OTHER VOLTAGE CONNECTIONS ARE AVAILABLE, THE



DR. BY W. L. SMITH
 CK. BY C. EAMONSON
 App. BY W. L. SMITH
 DATE 08/11/16

A-C MOTOR PERFORMANCE CURVES
A36W C0792-R002
 ISSUE DATE 08/11/16

Printed on 8/11/16 13:57 @ bengap01.baldor.com

DUTY MASTER ALTERNATING CURRENT MOTORS

SQUIRREL-CAGE INDUCTION

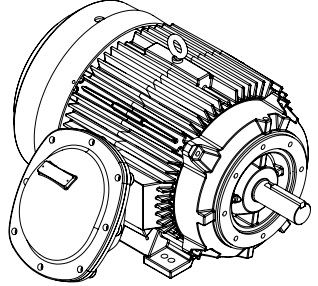
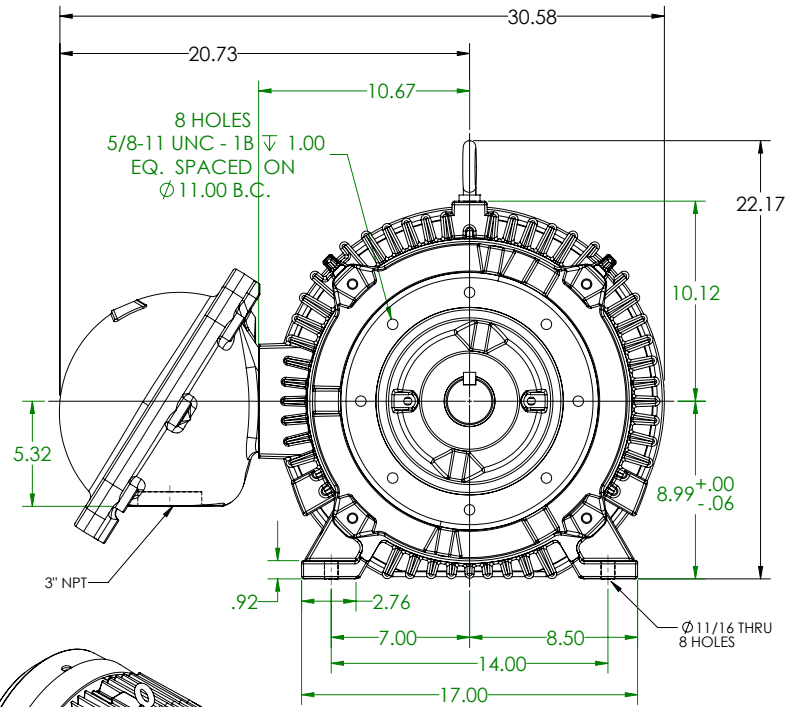
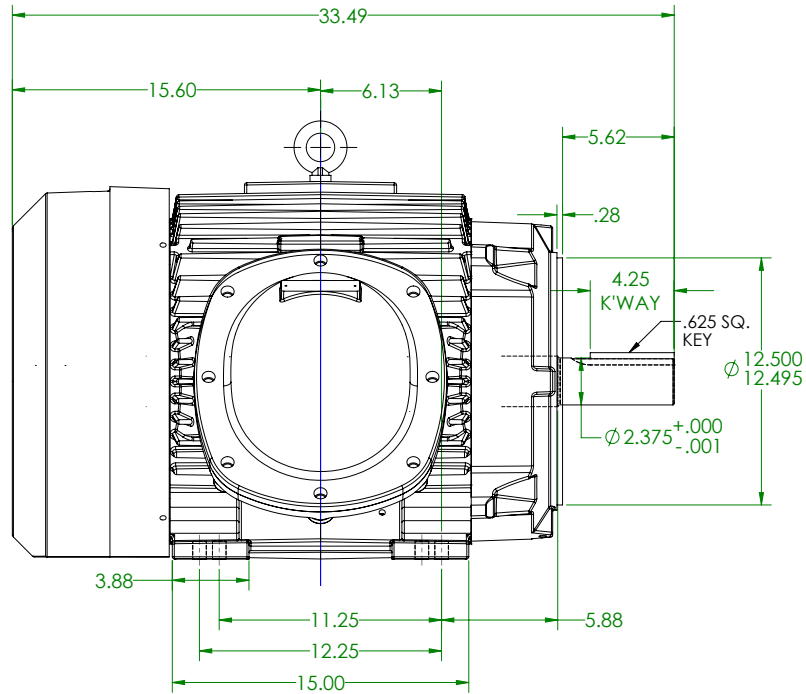
ENCLOSURE: TOTALLY ENCLOSED

FRAME 365TC
INCLUDES 364TC FRAME MOUNTING HOLES

COOLING: FAN-COOLED

MOUNTING: FOOT

616512-502



DIMENSIONS ARE IN INCHES

CUSTOMER IS RESPONSIBLE FOR DETERMINING THAT MOTOR PERFORMANCE IS SUITABLE IN THE APPLICATION.

SHEET NUMBER
1 OF 1

IF MOUNTING CLEARANCE DETAILS ARE REQUIRED, CONSULT FACTORY.
MAXIMUM PERMISSIBLE SHAFT RUNOUT WHEN MEASURED AT END OF
STANDARD SHAFT EXTENSION IS .001" T.I.R.

REV. DESC: REVISED D'S TO SHOW CORRECT LOC. FOR "AH" SEE TDR
REV: A | VERSION: 01 | REVISED: 02-25-43 10/30/2015 | TDR: 00000951147
MODEL NO. 616512-502
BY: RAGGDM

BALDOR

E365TC 6313 FCXP W/BOLT ON CONDUIT BOX -- CLASS 1 GR. C & D

616512-502

CONNECTION DIAGRAM ACCESSORIES

MOTOR WINDING THERMOSTATS	
CONTACTS _____ @ _____ °C	
FIGURE NUMBER _____	
CONTACT RATING	
VOLTS	CONTACT RATING CONTINUOUS AMPERES
110-120	3.0
220-240	1.5
440-480	0.75
550-600	0.60
	INRUSH AMPERES
	30
	15
	7.5
	6.0

NORMALLY CLOSED	THERMOSTATS	NORMALLY OPEN
FIGURE 1 		FIGURE 4
FIGURE 2 		FIGURE 5
FIGURE 3 		FIGURE 6
FIGURE 7 		FIGURE 8

CUSTOMER _____ CUSTOMER ORDER NO. _____ S.D. NO. _____

418174-006

418174-006

REV. DESC: LOADED TO BUS		TDR: 000000570390
REV. LTR: A	VERSION: 01	BY: RAGDRF
FILE: \RAG\00013\849	REVISED: 10:16:21 12/07/2010	
MTL: -		

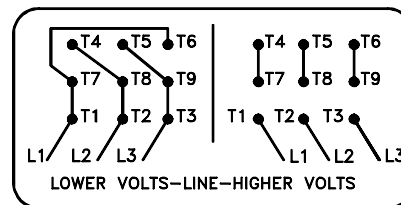
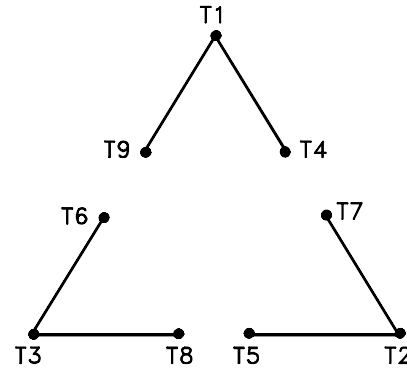
BALDOR

A-C MOTOR CONNECTION ACCESSORIES

SH 1 of 1

416820-002

A-C MOTOR
 CONNECTION DIAGRAM
 STANDARD 9 LEAD DELTA-CONNECTED



(N.P. 1575-B)

416820-002

REV. DESC: LOADED TO BUS, C/R 335225		
REV. LTR: -	VERSION: 00	TDR: 000000538207
FILE: \MGA\00000\661	REVISED: 10:47:51 04/30/2010	
MTL: -	BY: RAGRA	

BALDOR

CONN DIAG - STANDARD 9 LEAD, DELTA-CONNECTED

SH 1 of 1

Marketing maintained PDF of MN408:

<http://www.baldor.com/support/Literature/Load.ashx/MN408?ManNumber=MN408>

Marketing maintained PDF of MN416:

<http://www.baldor.com/support/Literature/Load.ashx/MN416?ManNumber=MN416>