

BALDOR® • *RELIANCE*

Product Information Packet

CJM3111

.75HP,3450RPM,3PH,60HZ,56J,3416M,OPEN,F1

Part Detail							
Revision:	T	Status:	PRD/A	Change #:		Proprietary:	No
Type:	AC	Prod. Type:	3416M	Elec. Spec:	34WG2719	CD Diagram:	CD0005
Enclosure:	OPEN	Mfg Plant:		Mech. Spec:	34F029	Layout:	34LYF029
Frame:	56J	Mounting:	F1	Poles:	02	Created Date:	
Base:	RG	Rotation:	R	Insulation:	B	Eff. Date:	03-15-2016
Leads:	9#18					Replaced By:	
Literature:		Elec. Diagram:					

Nameplate NP1256L											
CAT.NO.	CJM3111										
SPEC.	34F29-2719										
HP	.75										
VOLTS	208-230/460										
AMP	3.2-3/1.5										
RPM	3450										
FRAME	56J					HZ	60		PH	3	
SER.F.	1.50				CODE	M		DES	B	CLASS	B
NEMA-NOM-EFF	74				PF	66					
RATING	40C AMB-CONT										
CC								USABLE AT 208V	4		
DE	6203				ODE	6203					
ENCL	OPEN				SN						
	SFA 4-3.8/1.9										

Parts List		
Part Number	Description	Quantity
SA005838	SA 34F29-2719	1.000 EA
RA002584	RA 34F29-2719	1.000 EA
NS2512A01	INSULATOR, CONDUIT BOX X	1.000 EA
34CB3002A	CB CAST W/.88 DIA HOLE	1.000 EA
51XB1016A07	10-16 X 7/16 HXWSSLD SERTYB	2.000 EA
11XW1032G06	10-32 X .38, TAPTITE II, HEX WSHR SLTD U	1.000 EA
34EP3212A03	FR EP 34L FOR DRIP CVR	1.000 EA
HW5100A03SP	WAVY WASHER (W1543-017)	1.000 EA
34EP3401A01SP	PU ENDPLATE, MACH	1.000 EA
34AD2000	BAFFLE PLATE, STAMPED	1.000 EA
51XT0632A06	6-32X3/8 TY23 HXWS SLDSR	4.000 EA
51XN1032A20	10-32 X 1 1/4 HX WS SL SR	2.000 EA
34FH4000A15	DRIP COVER, STAMPED,PRIMER	1.000 EA
51XW1032A06	10-32 X .38, TAPTITE II, HEX WSHR SLTD S	3.000 EA
WD4101A09	STIMPSON D3560, .875 DIA. HOLE PLUG	1.000 EA
34CB4517	CB LID 4 MTG HOLES .22 DIA STAMPED, FOR	1.000 EA
51XW0832A07	8-32 X .44, TAPTITE II, HEX WSHR SLTD SE	4.000 EA
RM1010A01	35-968-1 VINYL CLS	1.000 EA
MG1000G27	MED CHARCOAL METALLIC GREY 400-0096	0.014 GA
10XF0440S02	04-40 X 1/8 TYPE F HEX HD STAINLESS STIC	2.000 EA
HA3100A12	THRUBOLT 10-32 X 7.375	4.000 EA
LC0005E01	CONN.DIA./WARNING LABEL (LC0005/LB1119N)	1.000 EA
NP1256L	ALUM UL CSA CC	1.000 EA
34PA1002	PKG GRP, PRINT PK1001A01	1.000 EA

AC Induction Motor Performance Data
Record # 6656 - Typical performance - not guaranteed values

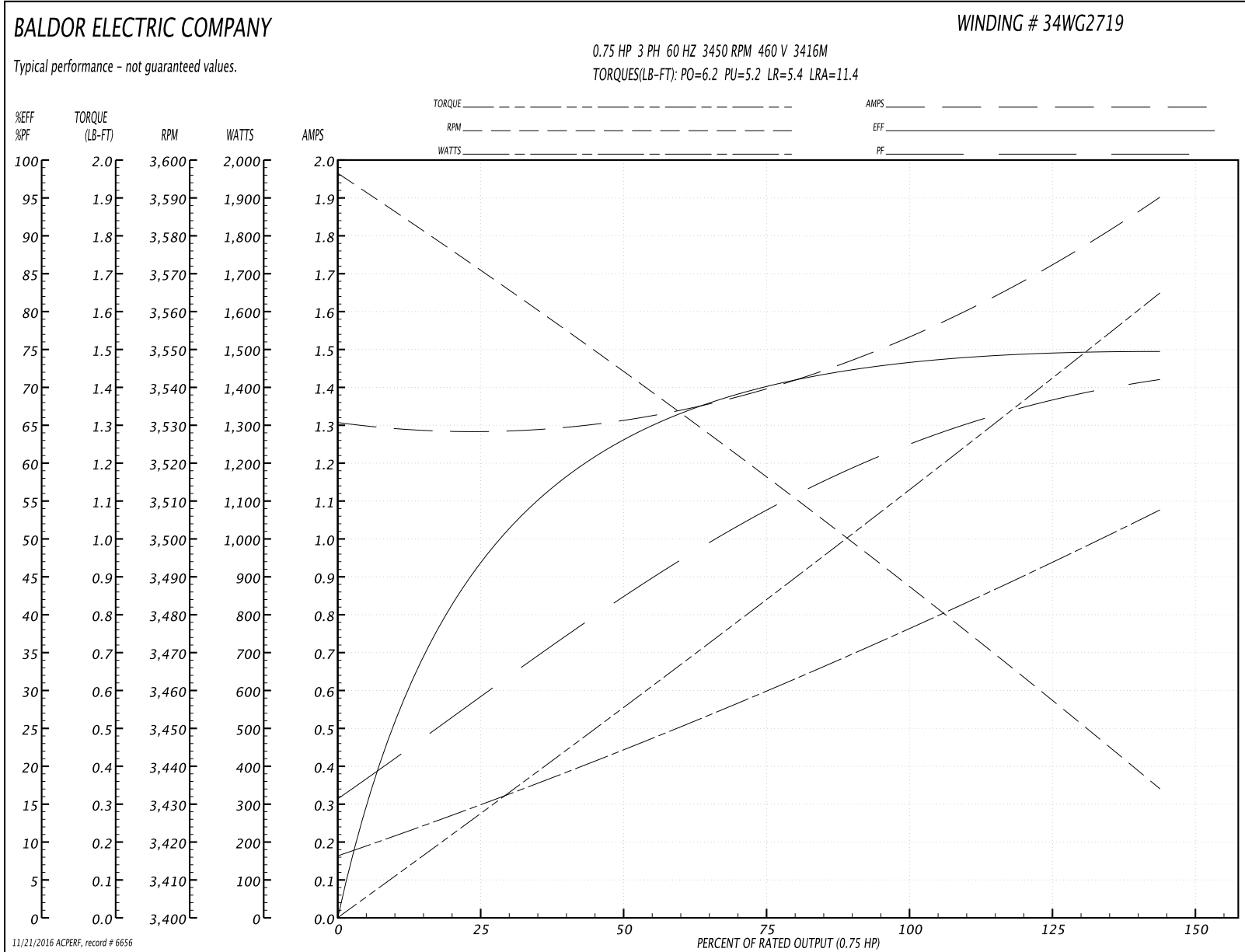
Winding: 34WG2719-R001	Type: 3416M	Enclosure: TEFC
-------------------------------	--------------------	------------------------

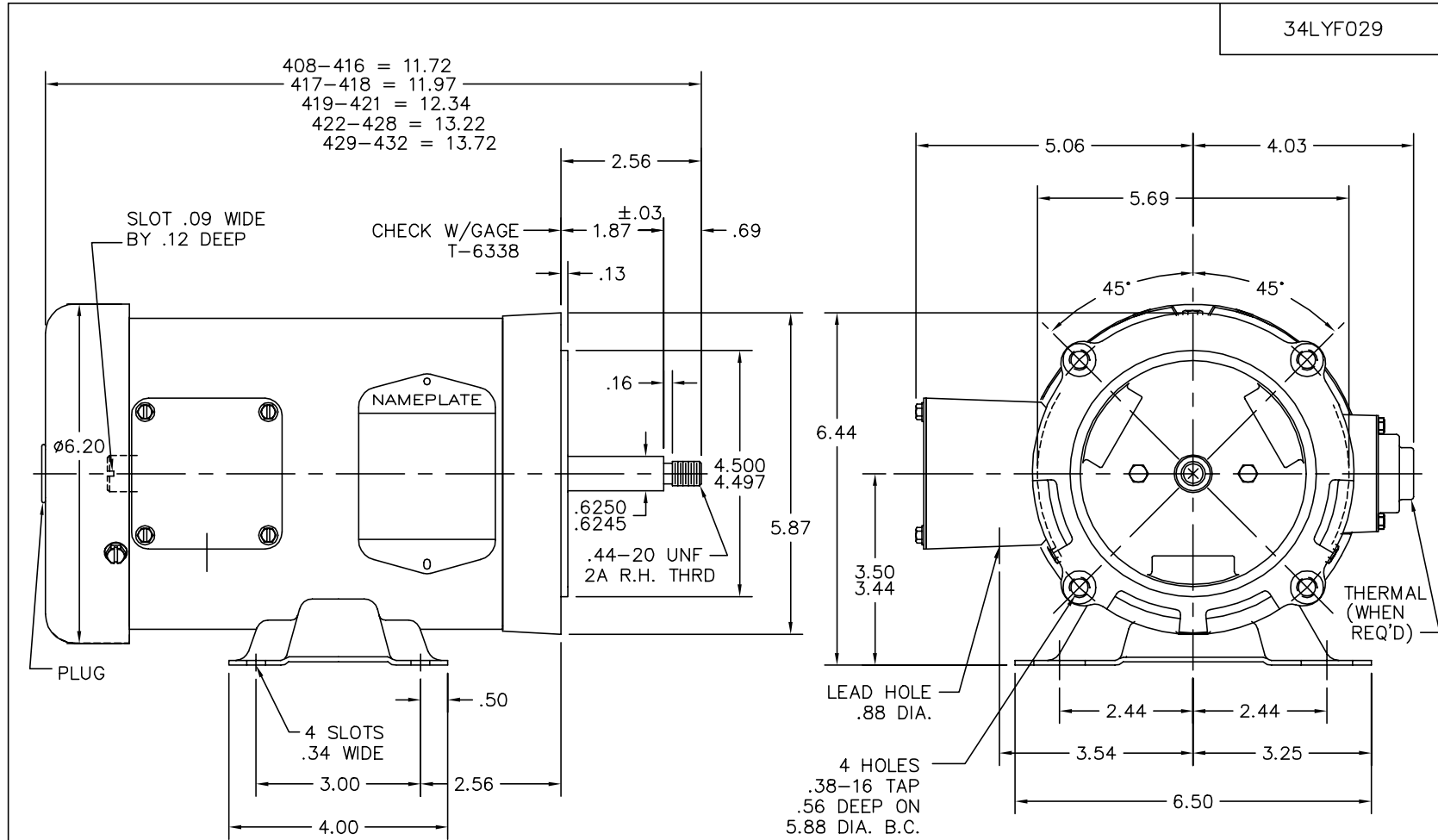
Nameplate Data				460 V, 60 Hz: High Voltage Connection	
Rated Output (HP)	.75			Full Load Torque	1.1 LB-FT
Volts	208-230/460			Start Configuration	direct on line
Full Load Amps	3.2-3/1.5			Breakdown Torque	6.2 LB-FT
R.P.M.	3450			Pull-up Torque	5.2 LB-FT
Hz	60	Phase	3	Locked-rotor Torque	5.4 LB-FT
NEMA Design Code	B	KVA Code	M	Starting Current	11.4 A
Service Factor (S.F.)	1.5			No-load Current	1.3 A
NEMA Nom. Eff.	74	Power Factor	66	Line-line Res. @ 25°C	16.4 Ω
Rating - Duty	40C AMB-CONT			Temp. Rise @ Rated Load	55°C
S.F. Amps	4-3.8/1.9			Temp. Rise @ S.F. Load	78°C

Load Characteristics 460 V, 60 Hz, 0.75 HP

% of Rated Load	25	50	75	100	125	150	S.F.
Power Factor	30	43	55	63	70	74	0
Efficiency	47.6	62.6	69.8	73	74.4	74.8	0
Speed	3569	3544	3518	3492	3463	3433	0
Line amperes	1.3	1.3	1.4	1.5	1.7	1.9	1.9

Performance Graph at 460V, 60Hz, 0.75HP Typical performance - Not guaranteed values





CUSTOMER IS RESPONSIBLE FOR DETERMINING THAT MOTOR PERFORMANCE IS SUITABLE IN THE APPLICATION.

REV. DESC: NEW KBOX & LID		REVISED: 16:29:47 10/28/2003		TDR: 314971
REV. LTR: K	BY: RT	FILE: AAA00026300	REF: 34LYF029	
6Z0JY7C		MTL: -		

BALDOR ELECTRIC Co.

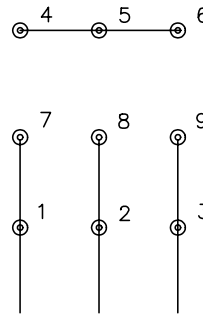
STD HOR 56J OPEN 34M W/DRIP CVR

34LYF029

CD0005



LOW VOLTAGE
(2Y)



LINE

HIGH VOLTAGE
(1Y)



LINE

NOTES:

1. INTERCHANGE ANY TWO LINE LEADS TO REVERSE ROTATION.
2. OPTIONAL THERMOSTATS ARE PROVIDED WHEN SPECIFIED.
3. ACTUAL NUMBER OF INTERNAL PARALLEL CIRCUITS MAY BE A MULTIPLE OF THOSE SHOWN ABOVE.
4. LEAD COLORS ARE OPTIONAL. LEADS MUST ALWAYS BE NUMBERED AS SHOWN.

REV. DESC: REVISE TO SHOW OPTIONAL COLORS			
REV. LTR: E	BY: JLP	REVISED: 01/19/99 10:15	TDR: 0171435
9000D		FILE: AAA00005140	MDL: -
		MTL: -	

BALDOR ELECTRIC Co.

3PH, DV, 9 LEADS

CD0005