

BALDOR® • ***RELIANCE***

Product Information Packet

ECP3661T-5

3HP,1755RPM,3PH,60HZ,182T,0632M,TEFC,F1

Part Detail							
Revision:	D	Status:	PRD/A	Change #:		Proprietary:	No
Type:	AC	Prod. Type:	0632M	Elec. Spec:	06WGX319	CD Diagram:	CD0006
Enclosure:	TEFC	Mfg Plant:		Mech. Spec:	06H483	Layout:	06LYH483
Frame:	182T	Mounting:	F1	Poles:	04	Created Date:	09-26-2013
Base:	RG	Rotation:	R	Insulation:	F	Eff. Date:	03-31-2015
Leads:	3#16					Replaced By:	
Literature:		Elec. Diagram:					

Nameplate NP3257E										
CAT.NO.	ECP3661T-5									
SPEC.	06H483X319G1									
HP	3	TE								
VOLTS	575									
AMP	3.3									
RPM	1755									
FRAME	182T						HZ	60		
SER.F.	1.15				CODE	J		DES	B	
RATING	40C AMB-CONT									
SN										
DE	6206						ODE	6206		
NEMA-NOM-EFF	89.5				PF	77				
G.MIN.EFF	87.5				CC	010A				
T. CODE	T3C				T=	160				
								PH	3	
								CL	F	

Nameplate NP3260E			
SPEC.	06H483X319G1		
D.E. BRG.	30BC02XP30X		
O.D.E. BRG.	30BC02XP30X		
GREASE	POLYREX EM		
RPM MAX	2700	MAX. KVAR	0.86
BLANK			
INV. TYPE	PWM		
T=	160		
C HP FR	60		
CT HZ FROM	1.5		
VT HZ FROM	0-		
HTR-VOLTS			
HTR-WATTS			
C HP TO	90		
CT HZ TO	60		
VT HZ TO	60		
HTR-AMPS			
MAX. SPACE HEATER TEMP.			

Parts List		
Part Number	Description	Quantity
SA269799	SA 06H483X319G1	1.000 EA
RA256444	RA 06H483X319G1	1.000 EA
36FN3000C01	EXFN, PLASTIC, 5.25 OD, .912 ID	1.000 EA
HW3201A05	3/8-16 EYEBOLT	1.000 EA
06CB1000A02G	CONDUIT BOX, MACH GRAY	1.000 EA
RM1016	LEAD SEPARATOR GASKET - 305/306 C.P.MOTO	1.000 EA
51XW2520A12	SCREW, HEX SER SLT HD, ZN, 1/4-20 X .75	2.000 EA
11XW1032G06	10-32 X .38, TAPTITE II, HEX WSHR SLTD U	1.000 EA
HW3001B01	BRASS CUP WASHER, FOR #8 SCREW	1.000 EA
10XN2520S06	1/4 20X3/8 HX HD CAP S.S.	2.000 EA
WD1000B16	T&B CX70TN TERMINAL	2.000 EA
36FE1100B72G	FREP ASSEMBLY FOR ROUTING PURPOSES	1.000 EA
HW4500A17	317400 ALEMITE GREASE RELIEF	1.000 EA
HW4500A01	1641B(ALEMITE)400 UNIV, GREASE FITT	1.000 EA
HA4051A00	PLASTIC CAP FOR GREASE FITTING	1.000 EA
HA4054	SHORT T-DRAIN FITTING, .125" N.P.T.	1.000 EA
HW5100A06	W2420-025 WVY WSHR (WB)	1.000 EA
36PE1100A29G	PUEP ASSEMBLY FOR ROUTING PURPOSES	1.000 EA
HW4500A01	1641B(ALEMITE)400 UNIV, GREASE FITT	1.000 EA
HA4051A00	PLASTIC CAP FOR GREASE FITTING	1.000 EA
HW4500A17	317400 ALEMITE GREASE RELIEF	1.000 EA
HA4054	SHORT T-DRAIN FITTING, .125" N.P.T.	1.000 EA
HA3101A34	THRUBOLT- 1/4-20 X 10.375	4.000 EA
XY2520A12	1/4-20 HEX NUT, DIRECTIONAL SERRATIONS	4.000 EA

Parts List (continued)		
Part Number	Description	Quantity
06FH1004A01G	FAN HOUSING MACH, W/GRAY EPOXY	1.000 EA
WD4100A02	DP-1000 HEYCO PLUG OR 62MP1000 MICRO PL	1.000 EA
10XN2520A24	1/4-20X 1 1/2 HEX HD X	3.000 EA
06CB1502A01G	LIPPED CONDUIT BOX LID, MACH GRAY EPOXY	1.000 EA
06GS1003	GASKET, KOBX LID, 1/8" THICK BLACK NEOPR	1.000 EA
10XN2520A12	O1/4-20X 3/4 HEX HEAD CAP	2.000 EA
HW1001A25	LOCKWASHER 1/4, ZINC PLT .493 OD, .255 I	2.000 EA
HA1005A22	SLINGER, OD 2.00, ID 1.14, 206 BRG, GM	1.000 EA
HW4600B36SP	V-RING SLINGER 1.188 X 1.690 X .24 VITON	1.000 EA
HA7000A02	KEY RETAINER RING, 1 1/8 DIA, 1 3/8 DIA	1.000 EA
MJ5001A27	32220KN GRAY SEALER *MIN BUY 4 QTS=1GAL	0.001 QT
85XU0407S04	4X1/4 U DRIVE PIN STAINLESS	2.000 EA
LB1115N	LABEL,LIFTING DEVICE (ON ROLLS)	1.000 EA
LB1002N	LABEL,MARINE DUTY (ON ROLLS)	1.000 EA
MJ1000A02	GREASE, POLYREX EM EXXON (USe 4824-15A)	0.050 LB
MG1025N19	WILKOFASST, 778.50, RELIANCE BLUE-GREEN	0.028 GA
HW2501E16	3KEY, 1/4 SQ X 1.750	1.000 EA
LB1119N	WARNING LABEL	1.000 EA
LB1449	DIV-2/NEC WARNING LABEL	1.000 EA
LC0006	CONNECTION LABEL	1.000 EA
NP3257E	SS CP SUPER-E DIV-2 UL CSA-C US EEV PREM	1.000 EA
NP3260E	SS CP SUPER-E AUX DATA INFORMATION	1.000 EA
85XU0407S04	4X1/4 U DRIVE PIN STAINLESS	2.000 EA
36PA1001	PKG GRP, PRINT PK1017A06	1.000 EA

MN416A01	TAG-INSTAL-MAINT no wire (1200/bx) 11/14	1.000 EA
----------	--	----------

Accessories		
Part Number	Description	Multiplier
36-1749	C FACE KIT	A8

AC Induction Motor Performance Data

Record # 47008 - Typical performance - not guaranteed values

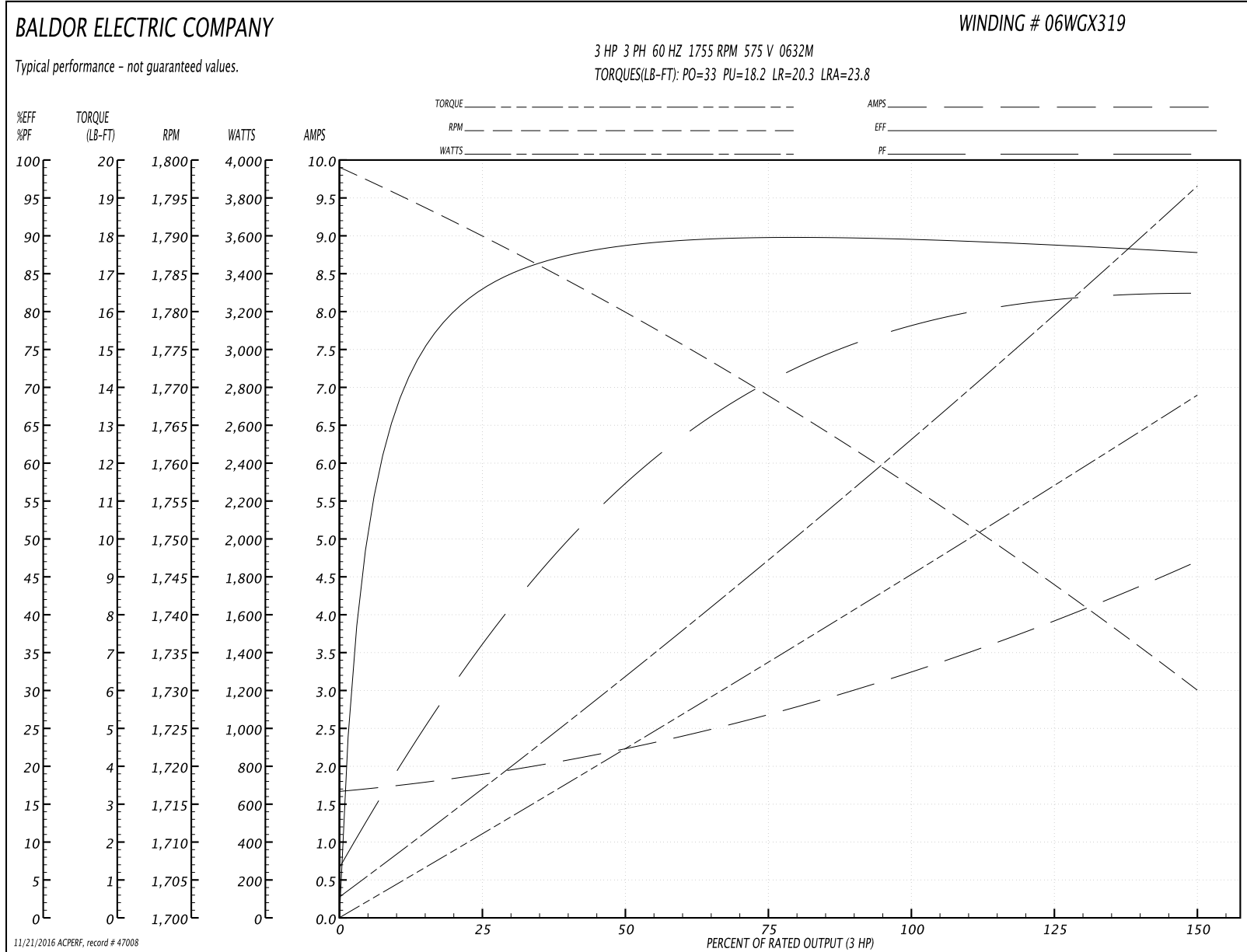
Winding: 06WGX319-R011	Type: 0632M	Enclosure: TEFC
-------------------------------	--------------------	------------------------

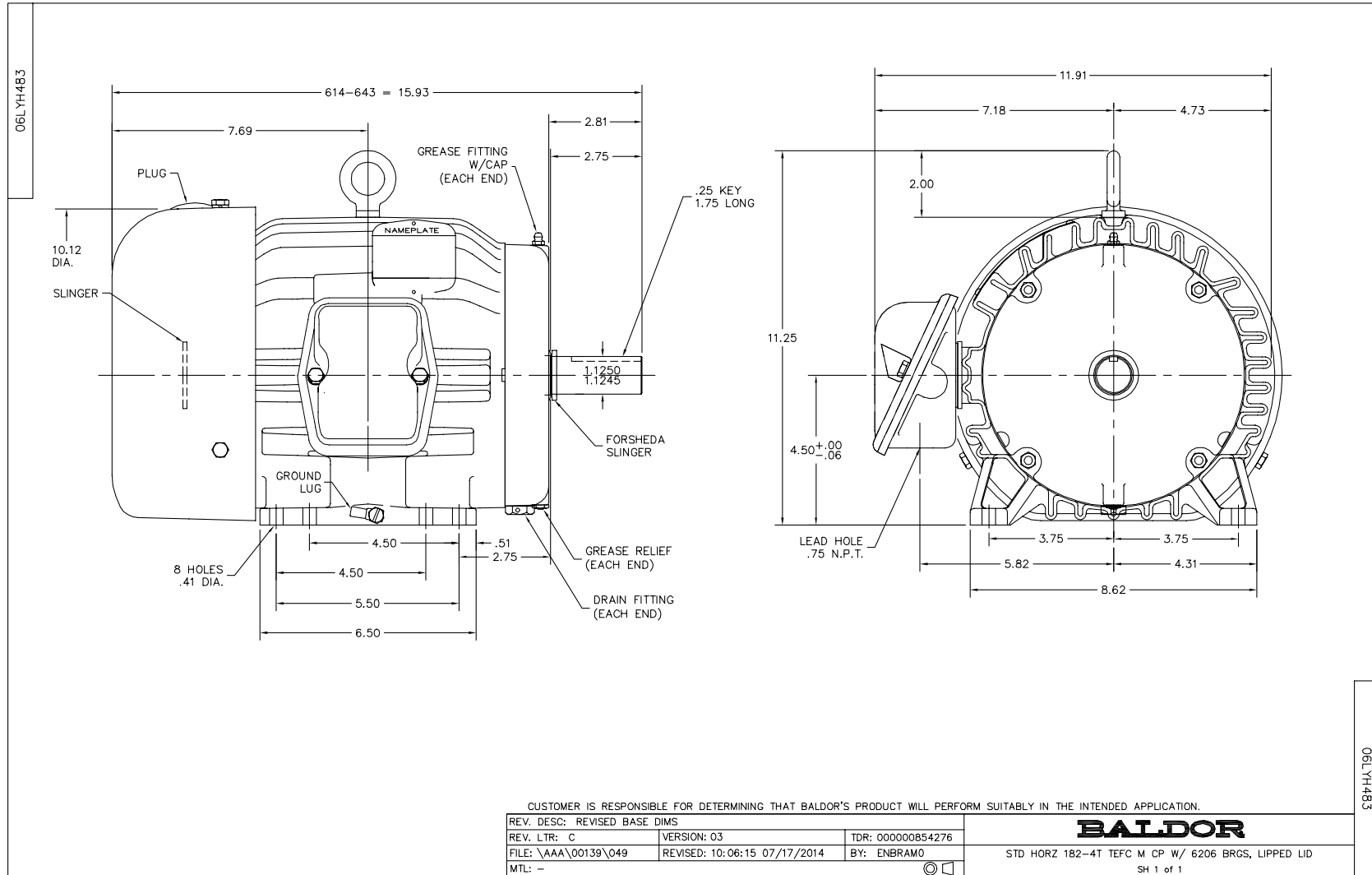
Nameplate Data				575 V, 60 Hz: Single Voltage Motor	
Rated Output (HP)	3			Full Load Torque	9.05 LB-FT
Volts	575			Start Configuration	direct on line
Full Load Amps	3.3			Breakdown Torque	33 LB-FT
R.P.M.	1755			Pull-up Torque	18.2 LB-FT
Hz	60	Phase	3	Locked-rotor Torque	20.3 LB-FT
NEMA Design Code	B	KVA Code	J	Starting Current	23.8 A
Service Factor (S.F.)	1.15			No-load Current	1.7 A
NEMA Nom. Eff.	89.5	Power Factor	77	Line-line Res. @ 25°C	6.22 Ω
Rating - Duty	40C AMB-CONT			Temp. Rise @ Rated Load	35°C
S.F. Amps				Temp. Rise @ S.F. Load	42°C
				Rotor inertia	0.298 LB-FT ²

Load Characteristics 575 V, 60 Hz, 3 HP

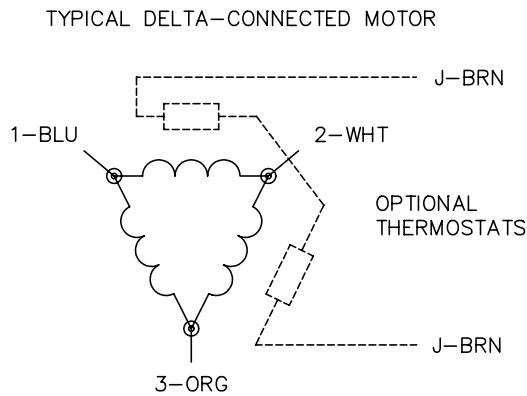
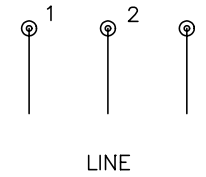
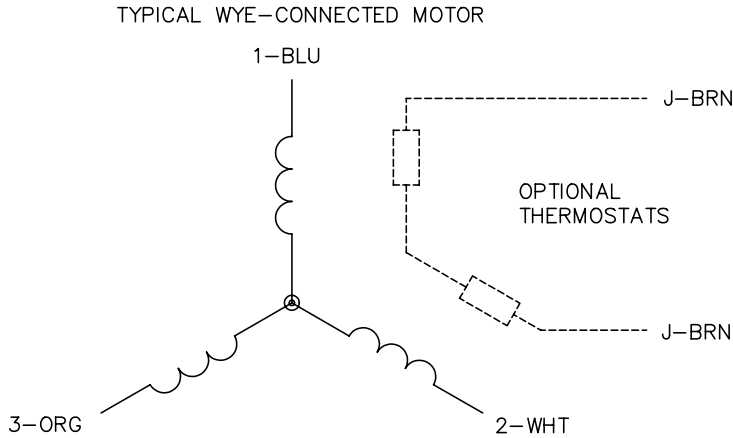
% of Rated Load	25	50	75	100	125	150	S.F.
Power Factor	38	59	71	77	81	83	79
Efficiency	83.1	88.4	89.8	89.6	89.1	87.7	89.3
Speed	1790	1779	1769	1757	1744	1730	1749
Line amperes	1.86	2.22	2.71	3.27	3.92	4.69	3.66

Performance Graph at 575V, 60Hz, 3.0HP Typical performance - Not guaranteed values





CD0006



NOTES:

1. THREE LEAD MOTOR MAY BE EITHER WYE CONNECTED OR DELTA CONNECTED.
2. INTERCHANGE ANY TWO LINE LEADS TO REVERSE ROTATION.
3. OPTIONAL THERMOSTATS ARE PROVIDED WHEN SPECIFIED.
4. ACTUAL NUMBER OF INTERNAL PARALLEL CIRCUITS MAY VARY.
5. LEAD COLORS ARE OPTIONAL. LEADS MUST BE NUMBERED AS SHOWN.

REV. DESC: REVISE TO SHOW OPTIONAL COLORS			
REV. LTR: D	BY: JLP	REVISED: 01/21/99 4:02	TDR: 0171435
9000D		FILE: AAA00005141	MDL: -
		MTL: -	

BALDOR ELECTRIC Co.

3PH, SV, 3 LEADS, WYE OR DELTA CONNECTED

CD0006