

BALDOR® • ***RELIANCE***

Product Information Packet

ECP3772T-4

2HP,865RPM,3PH,60HZ,213T,0732M,TEFC,F1,N

Part Detail							
Revision:	K	Status:	PRD/A	Change #:		Proprietary:	No
Type:	AC	Prod. Type:	0732M	Elec. Spec:	07WGY780	CD Diagram:	CD0006
Enclosure:	TEFC	Mfg Plant:		Mech. Spec:	07K374	Layout:	07LYK374
Frame:	213T	Mounting:	F1	Poles:	08	Created Date:	01-04-2011
Base:	RG	Rotation:	R	Insulation:	F	Eff. Date:	10-06-2015
Leads:	3#14					Replaced By:	
Literature:		Elec. Diagram:					

Nameplate NP3258E			
CAT.NO.	ECP3772T-4		
SPEC.	07K374Y780G1		
HP	2	TE	
VOLTS	460		
AMP	3.8		
RPM	865		
FRAME	213T	HZ	60
SER.F.	1.15	CODE	H DES B
RATING	40C AMB-CONT		
SN			
DE	6307	ODE	6307
NEMA-NOM-EFF	85.5	PF	57
G.MIN.EFF	82.5	CC	010A
T. CODE	T3C	T=	160
		PH	3
		CL	F

Nameplate NP3261E	
SPEC.	07K374Y780G1
D.E. BRG.	35BC03XP30X
O.D.E. BRG.	35BC03XP30X
GREASE	POLYREX EM
RPM MAX	1350
MAX. KVAR	1.67
BLANK	
INV. TYPE	PWM
T=	160
C HP FR	60
CT HZ FROM	2
VT HZ FROM	0-
C HP TO	90
CT HZ TO	60
VT HZ TO	60
HTR-VOLTS	
HTR-WATTS	
HTR-AMPS	
MAX. SPACE HEATER TEMP.	

Parts List		
Part Number	Description	Quantity
SA214660	SA 07K374Y780G1	1.000 EA
RA201863	RA 07K374Y780G1	1.000 EA
HW3201A05	3/8-16 EYEBOLT	1.000 EA
09CB1001A03G	CONDUIT BOX, MACH GRAY	1.000 EA
RM1017	LEAD SEPERATOR GASKET MODEL 307 1/8" THK	1.000 EA
51XW2520A12	.25-20 X .75, TAPTITE II, HEX WSHR SLTD	2.000 EA
11XW1032G06	10-32 X .38, TAPTITE II, HEX WSHR SLTD U	1.000 EA
HW3001B01	BRASS CUP WASHER, FOR #8 SCREW	1.000 EA
10XN2520S06	1/4 20X3/8 HX HD CAP S.S.	2.000 EA
WD1000B16	T&B CX70TN TERMINAL	2.000 EA
37EP1101C43G	TEFC 307 BRG, GRSR,RELIEF,.25-20 FH TAPS	1.000 EA
HW4500A01	1641B(ALEMITE)400 UNIV, GREASE FITT	1.000 EA
HA4051A00	PLASTIC CAP FOR GREASE FITTING	1.000 EA
HW4500A17	317400 ALEMITE GREASE RELIEF	1.000 EA
HA4054	SHORT T-DRAIN FITTING, .125" N.P.T.	1.000 EA
HW5100A08	W3118-035 WVY WSHR (WB)	1.000 EA
37EP1101A32G	PU ENDPLATE MACH	1.000 EA
HW4500A01	1641B(ALEMITE)400 UNIV, GREASE FITT	1.000 EA
HA4051A00	PLASTIC CAP FOR GREASE FITTING	1.000 EA
HW4500A17	317400 ALEMITE GREASE RELIEF	1.000 EA
HA4054	SHORT T-DRAIN FITTING, .125" N.P.T.	1.000 EA
XY3118A12	5/16-18 HEX NUT DIRECTIONAL SERRATION	4.000 EA
51XB1214A20	12-14X1.25 HXWSSLD SERTYB	1.000 EA
07FH1001A01G	SPL FAN HOUSING, 307, W/GREASER, GRAY EP	1.000 EA

Parts List (continued)		
Part Number	Description	Quantity
10XN2520A16	1/4-20 X 1 HEX HEAD CAP SCR, ZINC PLATED	3.000 EA
WD4100A02	DP-1000 HEYCO PLUG OR 62MP1000 MICRO PL	1.000 EA
09CB1504A01G	LIPPED CONDUIT BOX LID, MACH GRAY EPOXY	1.000 EA
09GS1001A01	GASKET, BOX LID, 1/8 THICK BLACK NEOPREN	1.000 EA
10XN2520A12	O1/4-20X 3/4 HEX HEAD CAP	2.000 EA
HW1001A25	LOCKWASHER 1/4, ZINC PLT .493 OD, .255 I	2.000 EA
HA1005A07	SLINGER, OD 2.25, ID 1.344, 307 BRG	1.000 EA
HW4600B33	V-RING SLINGER 1.375 X 1.890 X .35 VITON	1.000 EA
HW2501F21	KEY, 5/16 SQ X 2.375	1.000 EA
HA7000A02	KEY RETAINER RING, 1 1/8 DIA, 1 3/8 DIA	1.000 EA
MJ5001A27	32220KN GRAY SEALER *MIN BUY 4 QTS=1GAL	0.001 QT
85XU0407S04	4X1/4 U DRIVE PIN STAINLESS	2.000 EA
LB1115N	LABEL,LIFTING DEVICE (ON ROLLS)	1.000 EA
LB1002N	LABEL,MARINE DUTY (ON ROLLS)	1.000 EA
MJ1000A02	GREASE, POLYREX EM EXXON (USe 4824-15A)	0.050 LB
37FN3002A01SP	EXFN, PLASTIC, 9.00 OD, 1.155 ID	1.000 EA
HA3104A32	THRUBOLT- 5/16-18 X12.750	4.000 EA
MG1025N19	WILKOFASST, 778.50, RELIANCE BLUE-GREEN	0.036 GA
LB1119N	WARNING LABEL	1.000 EA
LB1449	DIV-2/NEC WARNING LABEL	1.000 EA
LC0006	CONNECTION LABEL	1.000 EA
NP3258E	SS CP SUPER-E DIV-2 UL CSA-C US EEV CC	1.000 EA
NP3261E	SS CP SUPER-E AUX DATA INFORMATION	1.000 EA
85XU0407S04	4X1/4 U DRIVE PIN STAINLESS	2.000 EA

07PA1011	PKG GRP, 07 CAST IRON PK1181	1.000 EA
MN416A01	TAG-INSTAL-MAINT no wire (1200/bx) 11/14	1.000 EA

AC Induction Motor Performance Data

Record # 53272 - Typical performance - not guaranteed values

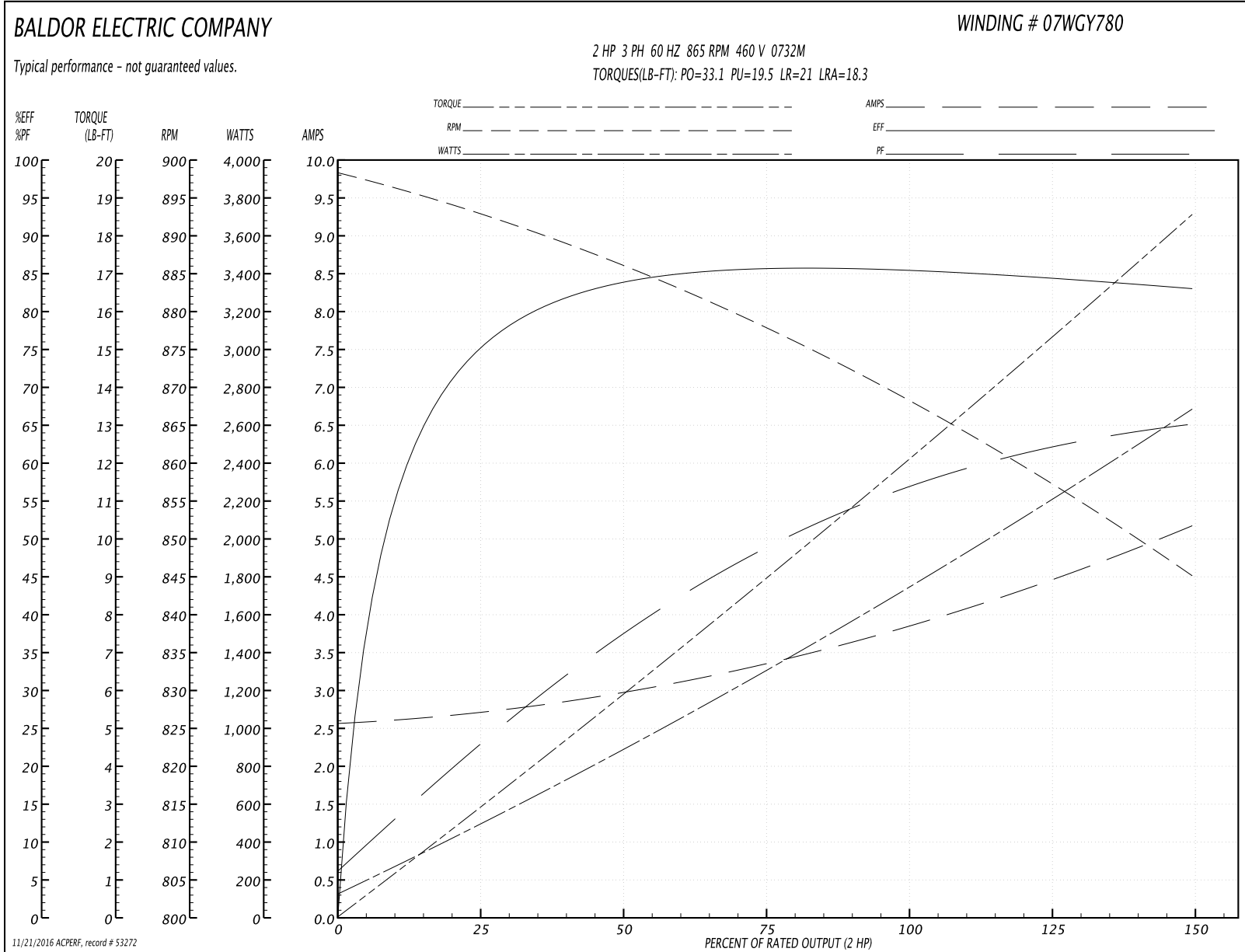
Winding: 07WGY780-R008	Type: 0732M	Enclosure: TEFC
-------------------------------	--------------------	------------------------

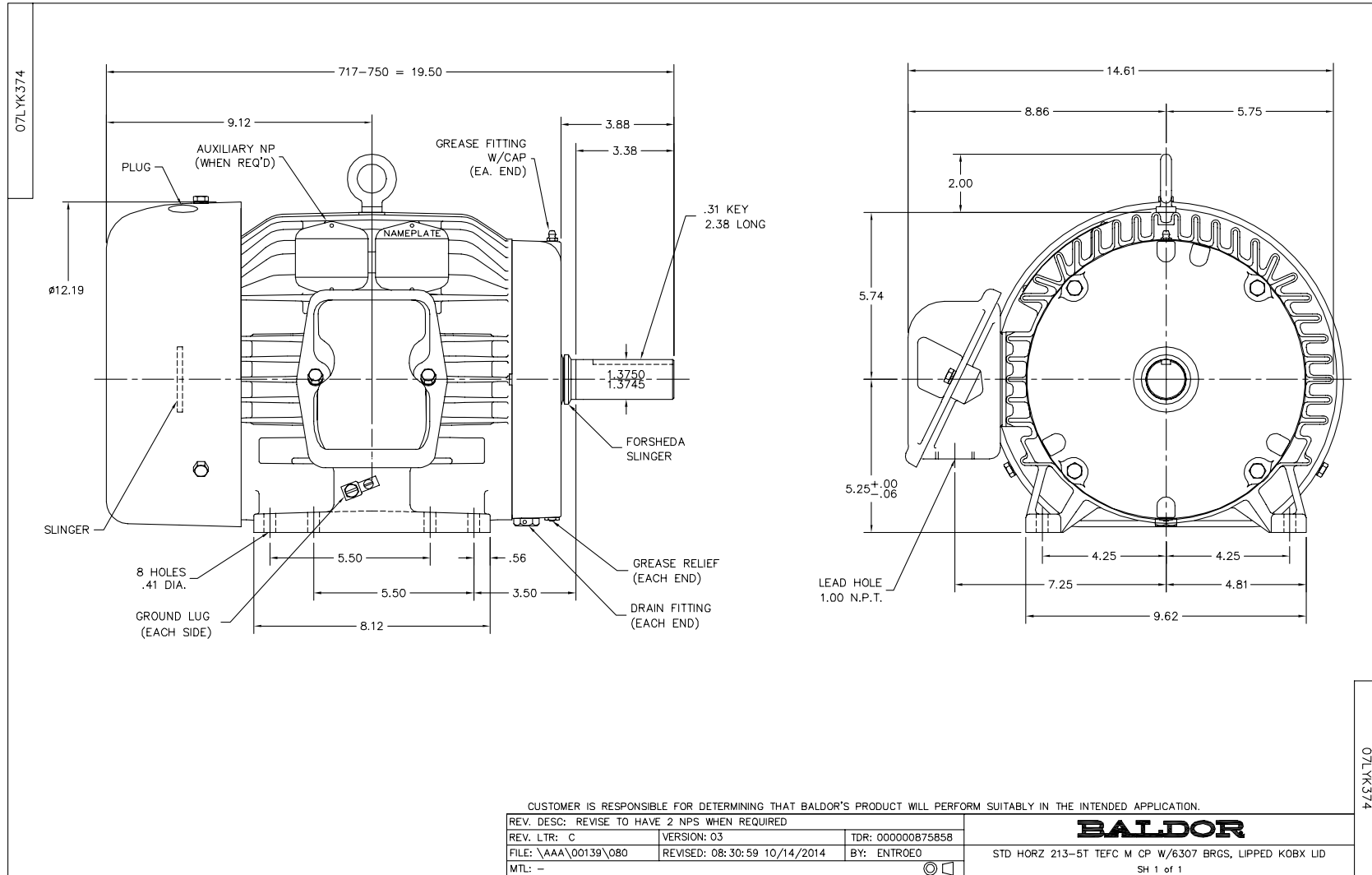
Nameplate Data				460 V, 60 Hz: Single Voltage Motor	
Rated Output (HP)	2			Full Load Torque	12.1 LB-FT
Volts	460			Start Configuration	direct on line
Full Load Amps	3.8			Breakdown Torque	33.1 LB-FT
R.P.M.	865			Pull-up Torque	19.5 LB-FT
Hz	60	Phase	3	Locked-rotor Torque	21 LB-FT
NEMA Design Code	B	KVA Code	H	Starting Current	18.3 A
Service Factor (S.F.)	1.15			No-load Current	2.58 A
NEMA Nom. Eff.	85.5	Power Factor	57	Line-line Res. @ 25°C	5.01 Ω
Rating - Duty	40C AMB-CONT			Temp. Rise @ Rated Load	34°C
S.F. Amps				Temp. Rise @ S.F. Load	40°C
				Locked-rotor Power Factor	34.7
				Rotor inertia	0.796 LB-FT ²

Load Characteristics 460 V, 60 Hz, 2 HP

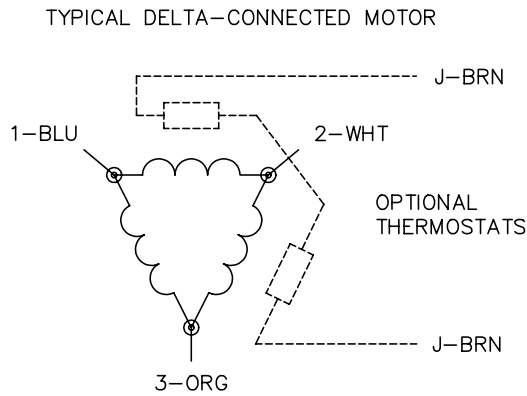
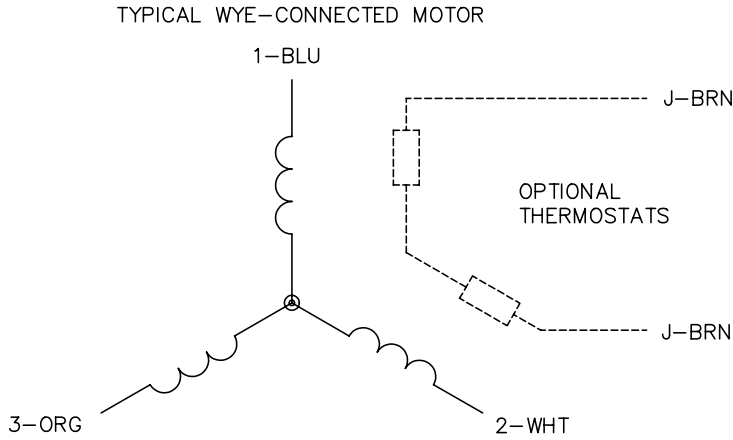
% of Rated Load	25	50	75	100	125	150	S.F.
Power Factor	23	38	48	56	62	66	60
Efficiency	73.3	82.4	85.4	86.7	84.4	82.8	85.3
Speed	893	885	878	869	859	844	863
Line amperes	2.68	2.96	3.35	3.84	4.47	5.16	4.22

Performance Graph at 460V, 60Hz, 2.0HP Typical performance - Not guaranteed values





CD0006



NOTES:

1. THREE LEAD MOTOR MAY BE EITHER WYE CONNECTED OR DELTA CONNECTED.
2. INTERCHANGE ANY TWO LINE LEADS TO REVERSE ROTATION.
3. OPTIONAL THERMOSTATS ARE PROVIDED WHEN SPECIFIED.
4. ACTUAL NUMBER OF INTERNAL PARALLEL CIRCUITS MAY VARY.
5. LEAD COLORS ARE OPTIONAL. LEADS MUST BE NUMBERED AS SHOWN.

REV. DESC: REVISE TO SHOW OPTIONAL COLORS			
REV. LTR: D	BY: JLP	REVISED: 01/21/99 4:02	TDR: 0171435
9000D		FILE: AAA00005141	MDL: -
		MTL: -	

BALDOR ELECTRIC Co.

3PH, SV, 3 LEADS, WYE OR DELTA CONNECTED

CD0006